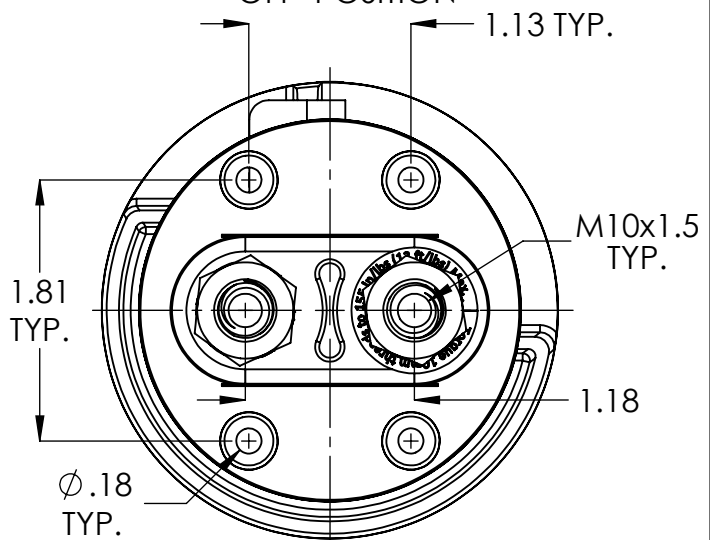
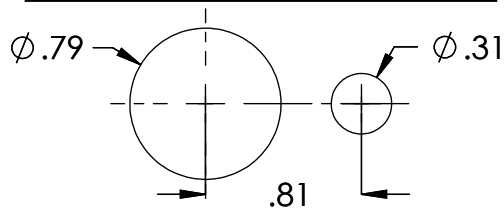
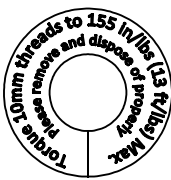


MOUNTING DETAIL



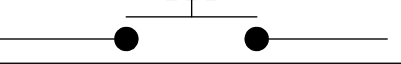
Technical data:

Handle Material:	Red GF Nylon 6
Upper Housing Material:	Zinc Diecast
Lower Housing Material:	GP Phenolic
Min. Insulation Resistance:	100 Mohm
Dielectric Withstanding Voltage:	1,100V -1min
Voltage Drop Max.:	0.175 mV
Voltage:	48 VDC
Continuous Rating:	300 A
Overload:	1,100 A - 240sec. 1,500 A - 90sec. 2,000 A - 30sec
Sealing:	IP67
Vibration:	4G / 50-2KHz
Shock:	6G / 11ms
Temperature Range:	-40C to +85C
Terminal Torque:	155 in.lb
Mounting Torque:	18 ft.lb



TERMINAL TAG

CIRCUIT



	NAME	DATE
DRAWN	JRT	12-21-16
CHECKED		
ENG APPR.	RMF	12-21-16
MFG APPR.		
Q.A.		

SHALCO
308 COMPONENTS DRIVE, SMITHFIELD, NC 27577 USA
DO NOT SCALE DRAWING
TITLE: **BATTERY SWITCH, 48VDC-300AMP**

DIMENSIONS ARE IN INCHES
TOLERANCES:
FRACTIONAL ±1/32
ANGULAR: MACH ± BEND ±
TWO PLACE DECIMAL ±.010
THREE PLACE DECIMAL ±.005

BLANK WEIGHT:	-	PART WEIGHT:	0.88 LBS
SIZE A	DWG. NO. 502S-300	SHEET 1 OF 1	REV. D
SCALE: 1:2	FILENAME: 502S-300	WWW.SHALCO.COM	

REV.	DESCRIPTION	DATE	APP'D

PROPRIETARY AND CONFIDENTIAL
This document contains proprietary data for products designed by Shallco, Inc., of Smithfield, NC. No disclosure; reproduction, or use of any part thereof may be made except by written permission.

DWG NO: 502S-300