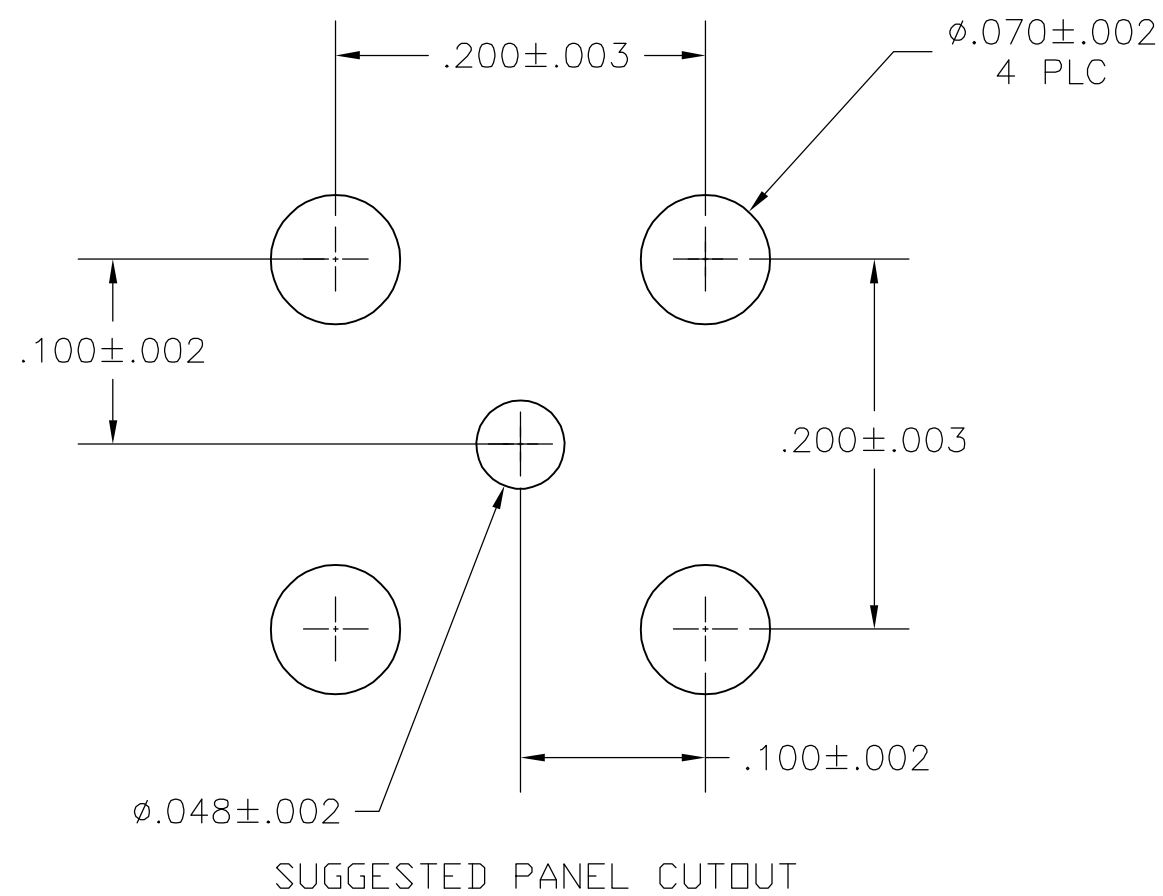
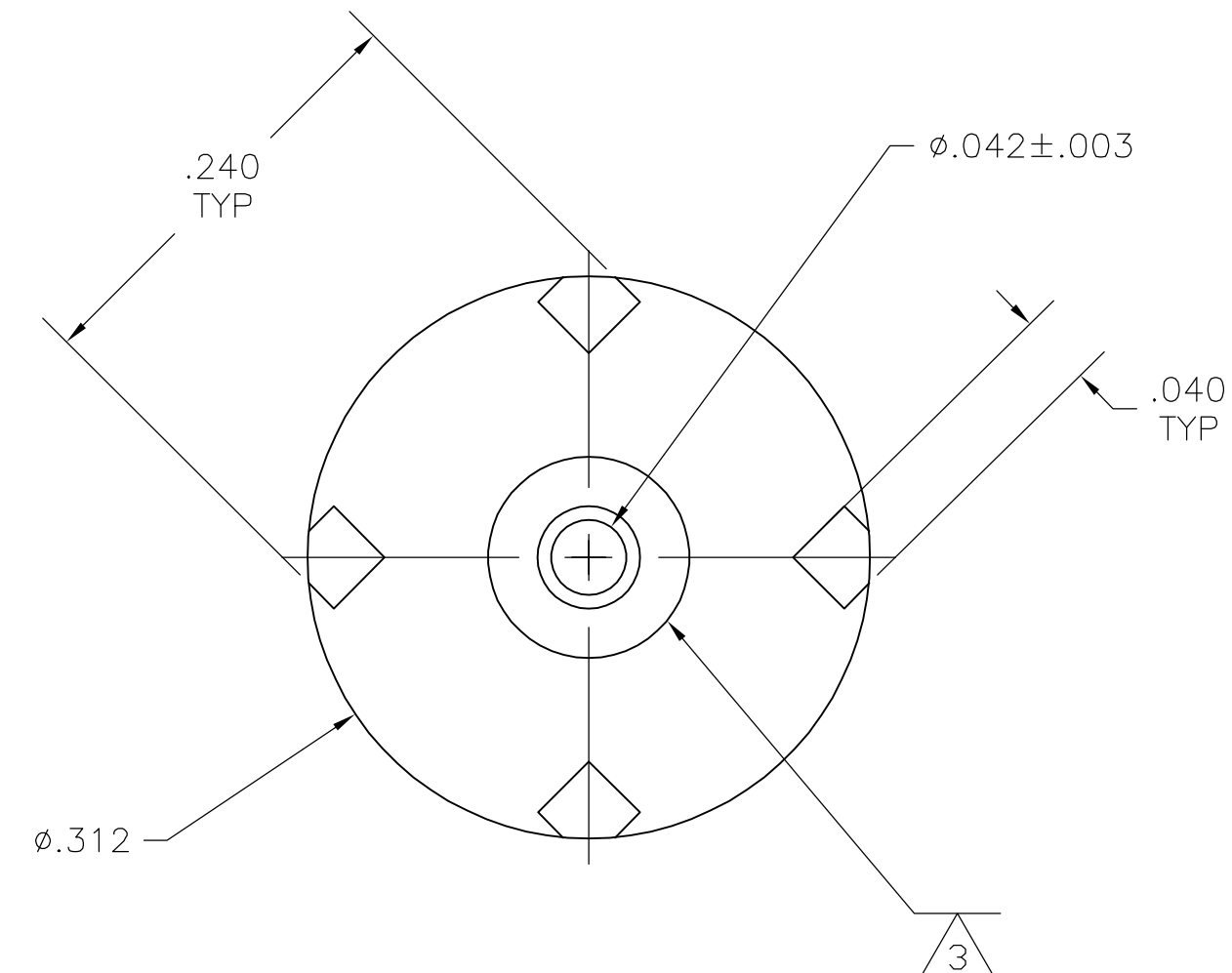
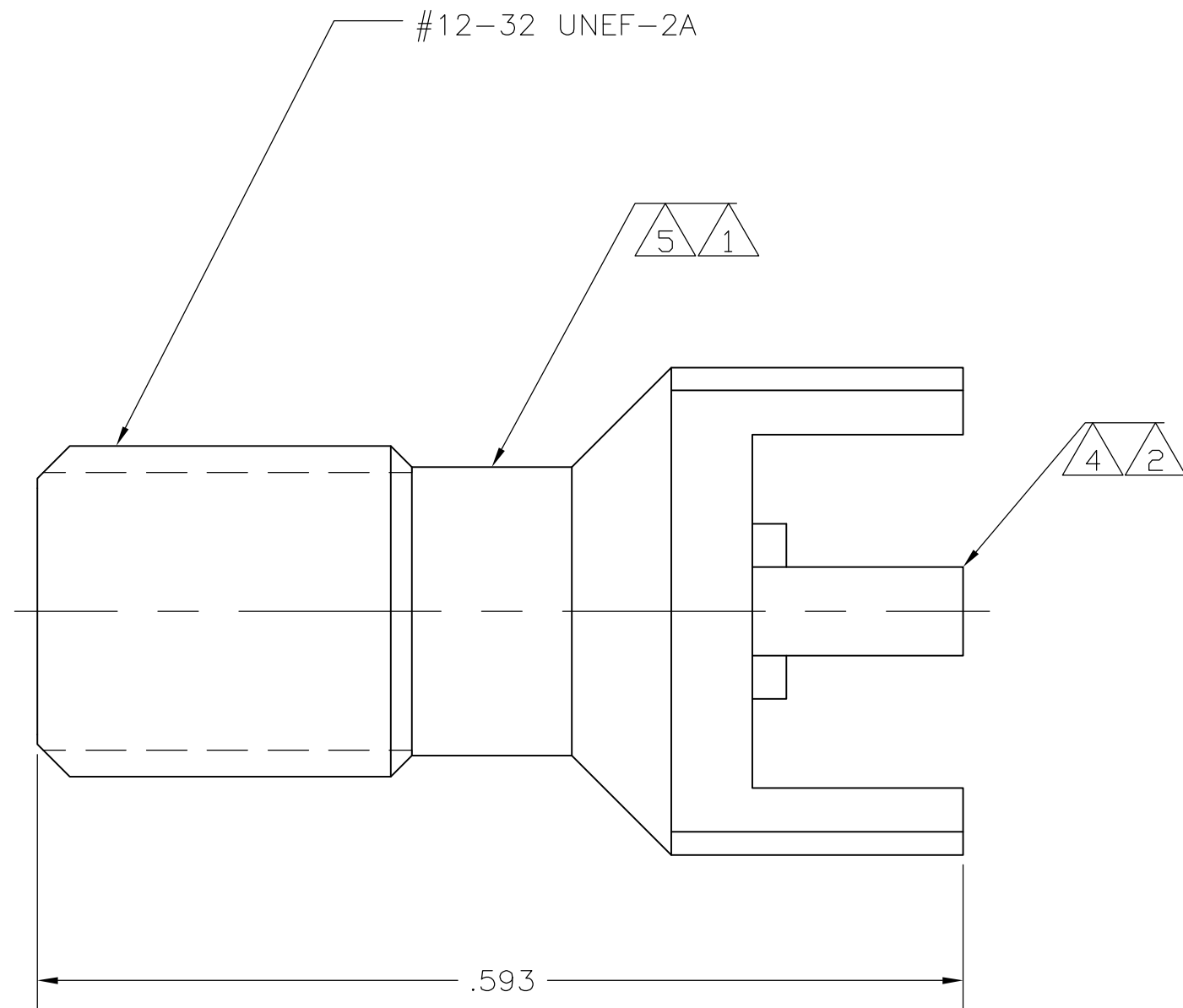


THIS DRAWING IS UNPUBLISHED. RELEASED FOR PUBLICATION  
 © COPYRIGHT BY TYCO ELECTRONICS CORPORATION. ALL RIGHTS RESERVED.

LOC	DIST	REVISIONS			
P	LTR	DESCRIPTION	DATE	DWN	APVD
DF	X5				
E		REV PER EC 0H14-0486-04	14SEP05	VF	CT

- ① BRASS PER ASTM-B-16.
- ② BERYLLIUM COPPER PER ASTM-B-196.
- ③ PTFE PER ASTM-D-1710.
- ④ GOLD PLATE PER ASTM-B-488 OVER NICKEL PLATE PER QQ-N-290.
- ⑤ SILVER PLATE PER QQ-S-365 OVER NICKEL PLATE PER QQ-N-290.



331899  
PART NUMBER

THIS DRAWING IS A CONTROLLED DOCUMENT.		DWN V. FURLER 01SEP05	tyco Electronics Tyco Electronics Corporation Harrisburg, Pa 17105-3608	
DIMENSIONS: INCHES		CHK T.W. FITZGERALD 01SEP05	NAME CONNECTOR COAXIAL, R.F. ADAPTER, PCB, RECPT, SERIES, MIN THREADED	
TOLERANCES UNLESS OTHERWISE SPECIFIED:		APVD T.W. FITZGERALD 01SEP05	SIZE A2	CAGE CODE 00779
0 PLC ± - 1 PLC ± - 2 PLC ± - 3 PLC ± .008 4 PLC ± - ANGLES ± -		PRODUCT SPEC APPLICATION SPEC	DRAWING NO C=331899	RESTRICTED TO -
MATERIAL ① ② ③	FINISH ④ ⑤	WEIGHT -	SCALE 8:1	SHEET 1 OF 1
CUSTOMER DRAWING			REV E	