

AR12106CHSCT



Sample image

Order symbol: AR12106CHSCT

EAN: 6418074066602

Product nbr: 8561019

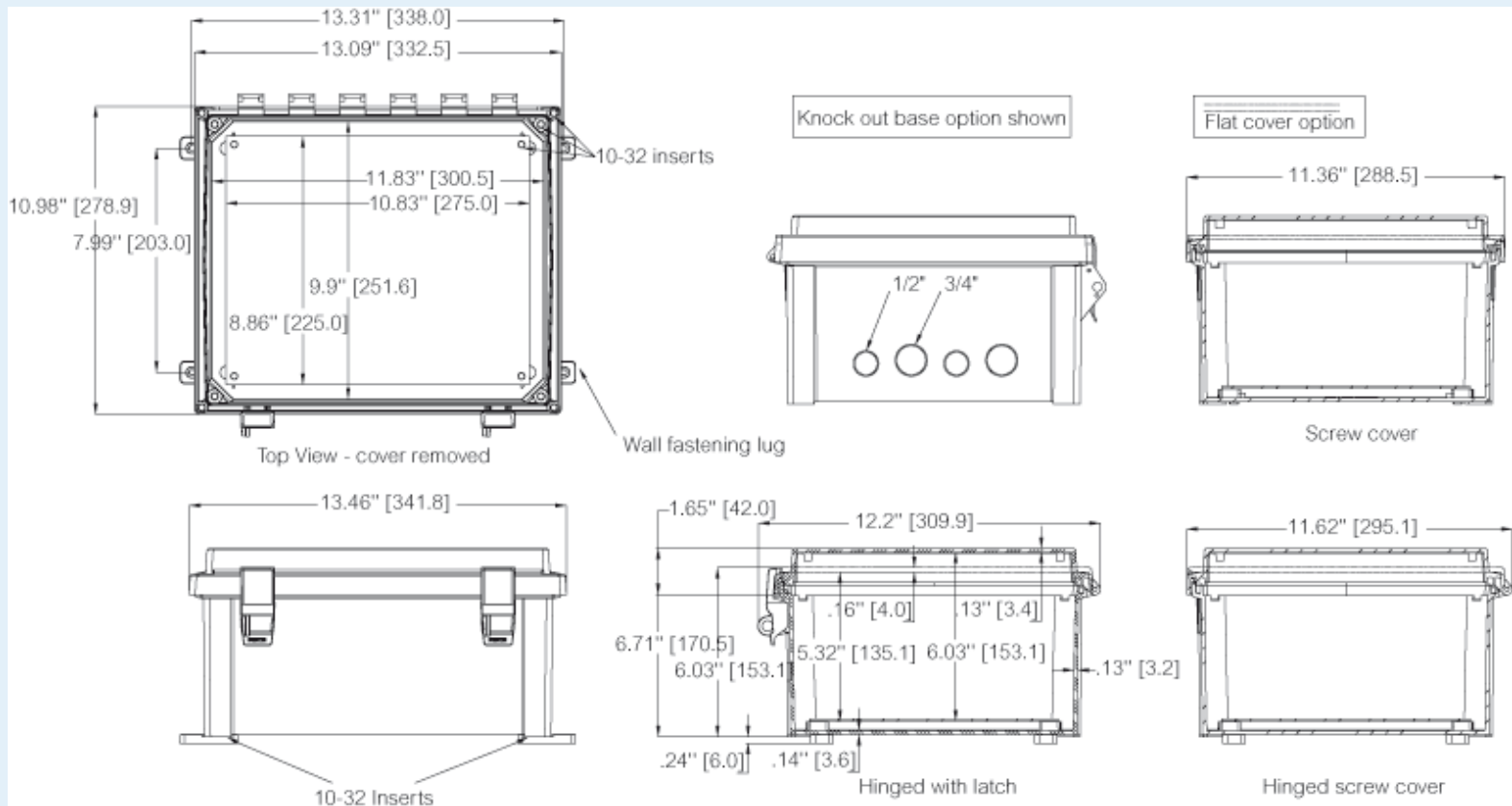
El. number:

Description: PC Enclosure

- Finland:
- Denmark:
- Sweden:

Remarks: Hinged transparent screw cover

Including: Hinged screw cover. Base with 10-32 brass inserts, cover with formed in place PUR gasket, stainless hinge pin and 2 cover screws. Enclosure mounting foot kit. Accessory 10-32 screws for panel mounting.



Dimensions:	Height	Width	Depth
mm:	305	254	152
inch:	12	10	6

Accessories:	
ASPHK12	Swing Panel Kit w/o Panel
ALBP1210	Aluminum Back Panel

Materials:

Material:	Polycarbonate
Base colour:	RAL 7035 -light grey
Cover colour:	Transparent
Gasket material:	Polyurethane

Temperatures:

Temperature °C (short term)::	-40 ... 140
Temperature °C (continuous):	-40 ... 80
Temperature °F (short term):	-40 ... 250
Temperature °F (continuous):	-40 ... 175

(274 x 226)

ASP1210	Aluminum Swing Panel (254.5 x 305.7 x 0)
ASPK1210	Swing Panel Kit incl. Panel
ADFP1210	Dead Front Panel w/ screws (257.5 x 307.5 x 0)
APBP1210	PVC Back Panel (274 x 226)
AMFL10	10" Mounting Flange Set
ABP1210	Painted Steel Back Panel (274 x 226)

Rating:

Ingress protection (EN 60529):	IP66; IP67;
Impact Resistance (EN 62262):	IK09;
Electrical insulation:	Not insulated
Halogen free (DIN/VDE 0472, Part 815):	1
UV resistance:	UL 508
Flammability Rating:	UL 508
Glow Wire Test (IEC 695-2-1) °C:	960 °C
NEMA Class	NEMA 4, 4X, 6, 6P, 12, 12K and 13

Certificates:

ARCA_CertificateofCompliance