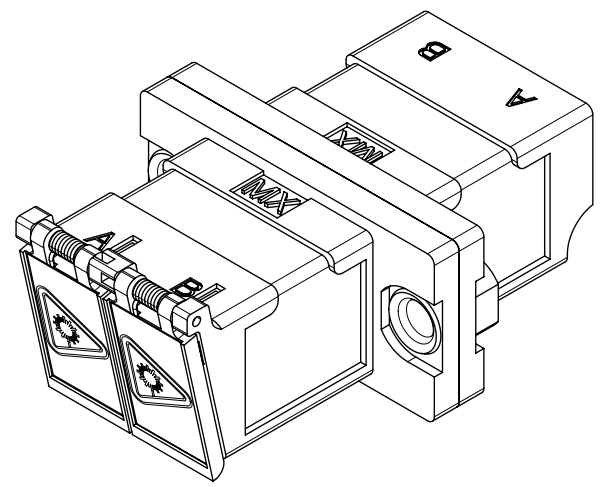
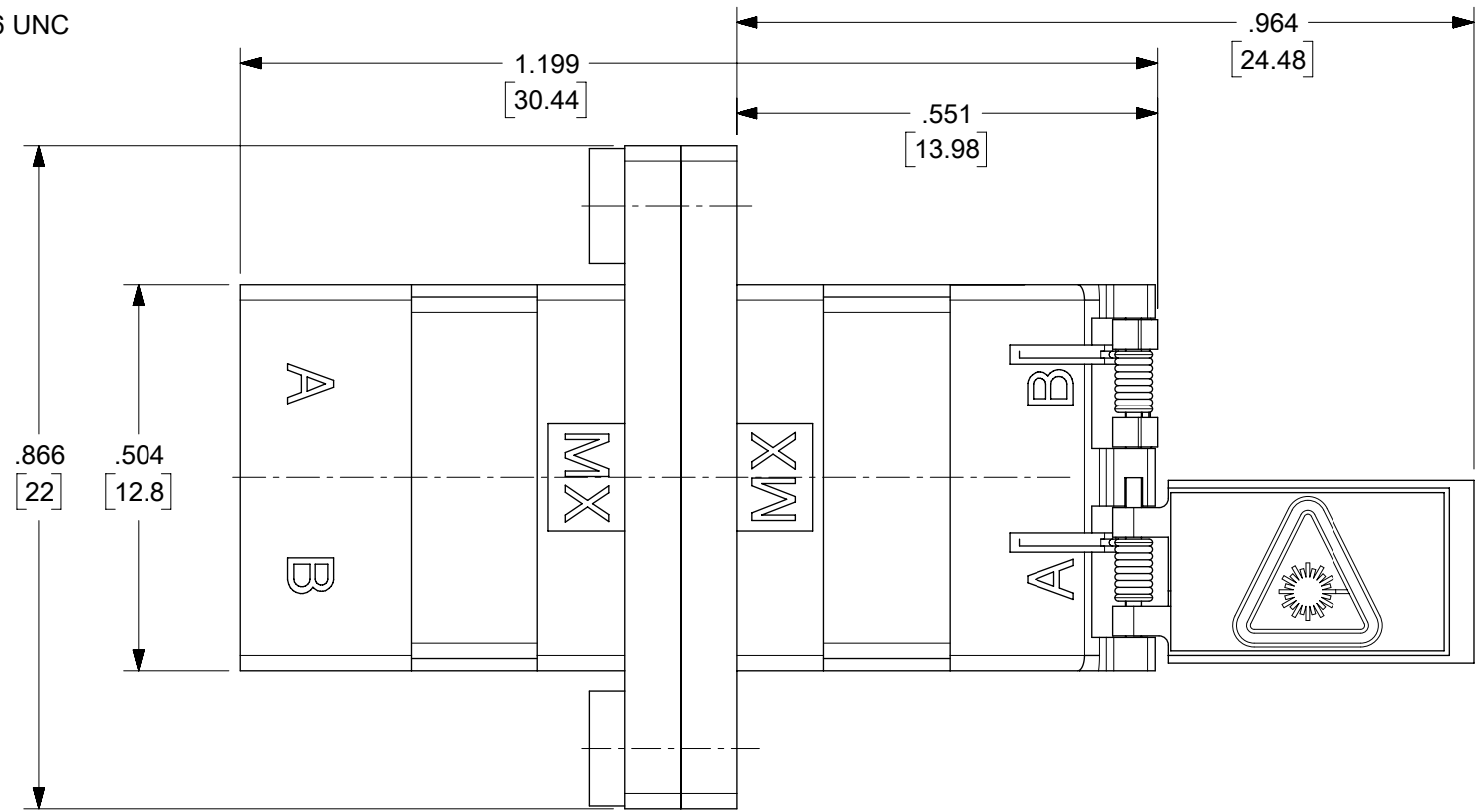
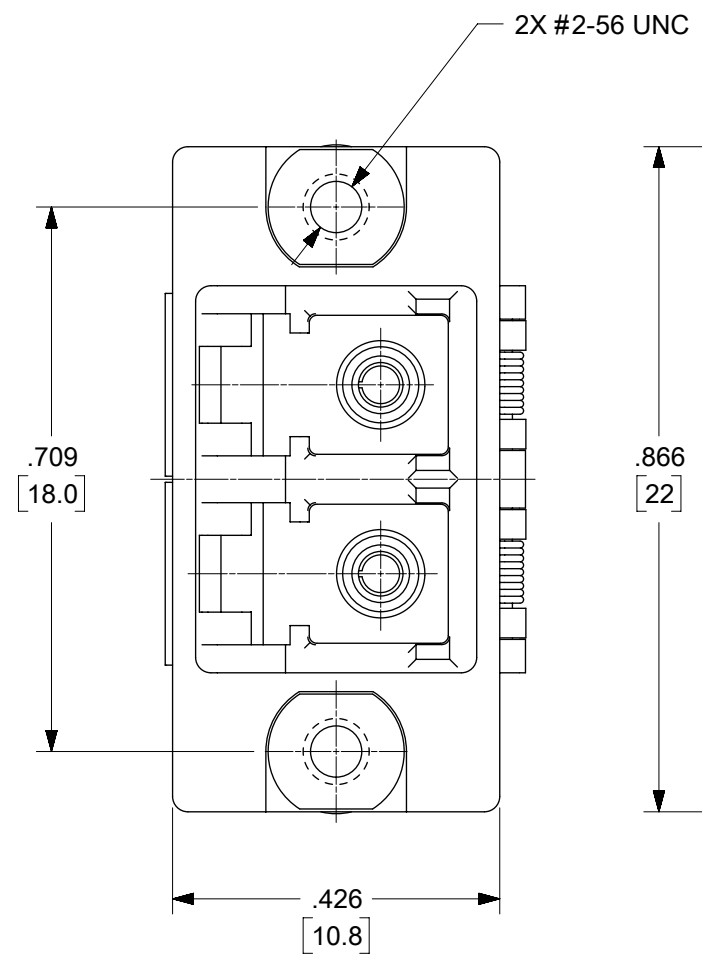


RECOMMENDED MOUNTING PATTERN



NOTES:
 1. ALL DIMENSIONS ARE FOR REFERENCE ONLY, EXCEPT WHERE MARKED WITH A *.
 2. DUST CAPS NOT SHOWN.

SYMBOLS	THIS DRAWING CONTAINS INFORMATION THAT IS PROPRIETARY TO MOLEX ELECTRONIC TECHNOLOGIES, LLC AND SHOULD NOT BE USED WITHOUT WRITTEN PERMISSION										
	DIMENSION UNITS	SCALE	CURRENT REV DESC: REMASTERED TO NX								
▽ = 0	HYBRID	4:1	EC NO: 610674								
▽ = 0	GENERAL TOLERANCES (UNLESS SPECIFIED)		DRWN: ABN 2017/12/22							PRODUCT CUSTOMER DRAWING	
▽ = 0	ANGULAR TOL ± 0.5°		CHK'D: WCHEN 2019/01/18							DOCUMENT NUMBER	
▽ = 0	4 PLACES ±		APPR: WCHEN 2019/01/18							SD-106127-1790	
▽ = 0	3 PLACES ±		INITIAL REVISION:							DOC TYPE DOC PART REVISION	
▽ = 0	2 PLACES ±		DRWN: PGI BLIN 2005/11/29							PSD 001 A4	
▽ = 0	1 PLACE ±		APPR: IGUMIN 2005/11/29							MATERIAL NUMBER	
▽ = 0	0 PLACES ±		DRAFT WHERE APPLICABLE MUST REMAIN WITHIN DIMENSIONS							1061271790	
▽ = 0	THIRD ANGLE PROJECTION		DRAWING		SERIES		CUSTOMER		SHEET NUMBER		
▽ = 0			B-SIZE		106127		GENERAL MARKET		1 OF 1		