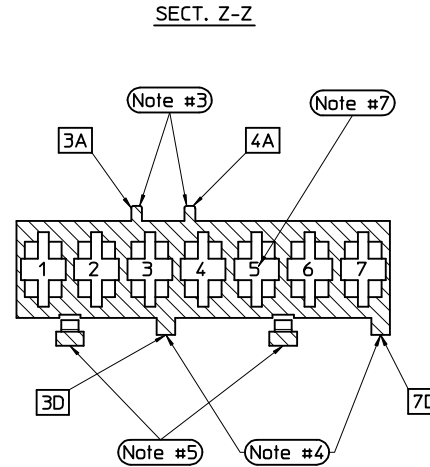
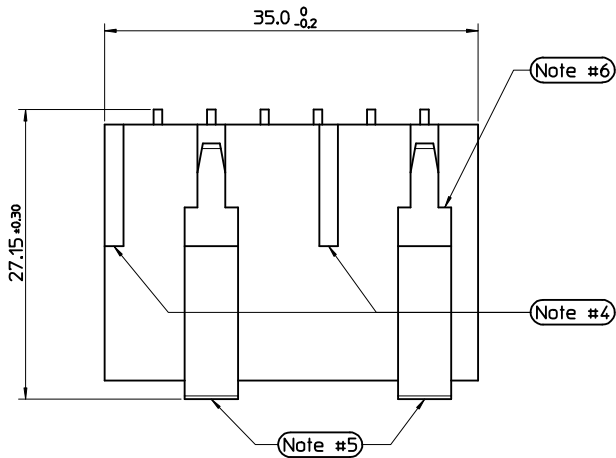
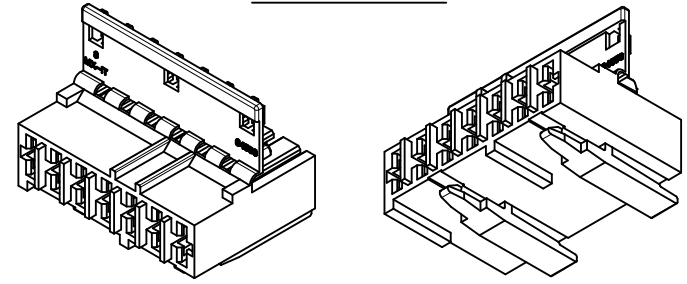
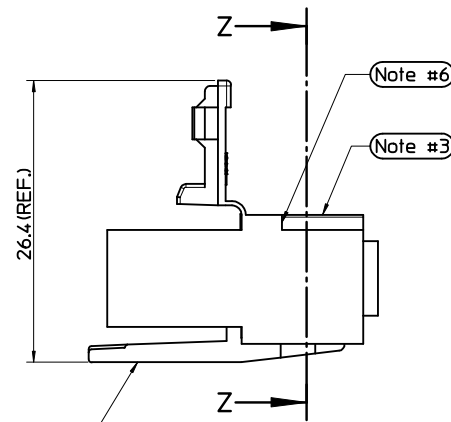
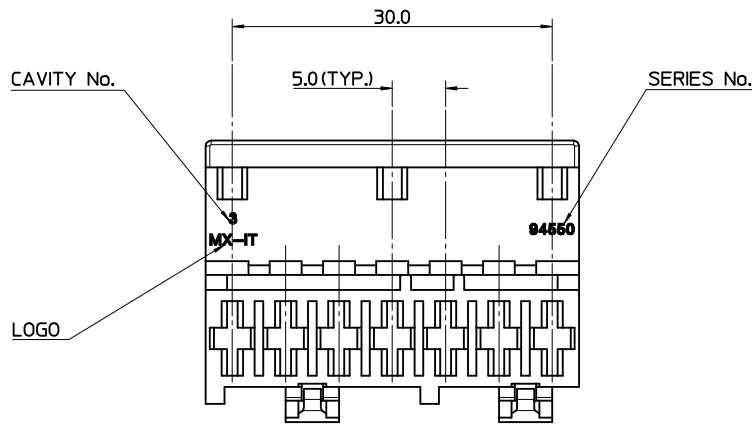


ISO views (Scale 2:1)



NOTES:

- #1 - Design of the housing according to RAST 5 Standard.
Material: PA66 UL94 V-0 , natural colour.
- #2 - Minimum wall thickness: 0,40 mm
- #3 - The POSITION KEYS are named as "A" and "B".
- #4 - The CODING KEYS are named as "C" and "D".
- #5 - LOCKING LATCHES.
- #6 - MATING STOP AREA (shown by the arrow).
- #7 - CKT Number.
- #8 - Used with TERMINALS p/ns 94518-0xxx
- #9 - Mates with HEADER p/n 91999-3512
- #10- Refer to PRODUCT SPECIFICATION PS-94550-001
- #11- PACKAGING (SPQ): 1000 pcs Loose in Carton Box.



AGENCY
RECOGNIZATIONS
CSA (file LR19980)
UL (file E-29179)

Note #5

EC NO: Z2016-0006 DRWN: LSANTESS 2015/07/27 CHKD: LSANTESS 2015/07/27 APPR: PZANGIROLAMI 2016/09/30	QUALITY SYMBOLS ∇=0 ∇=0 ∇=0	GENERAL TOLERANCES (UNLESS SPECIFIED)		DIMENSION STYLE MM ONLY	SCALE 3:1	DESIGN UNITS METRIC	FIRST ANGLE PROJECTION
		4 PLACES ± --- ± --- 3 PLACES ± --- ± --- 2 PLACES ± 0.13 ± --- 1 PLACE ± 0.25 ± --- 0 PLACE ± --- ± ---	mm INCH DRAWN BY DATE LSANTESS 2015/07/27 CHECKED BY DATE LSANTESS 2015/07/27 APPROVED BY DATE PZANGIROLAMI 2016/09/30	TITLE RAST 5 HOUSING 7CKT WITH SECONDARY LOCK AND EXTERNAL LATCHES	MATERIAL NO. 94550-9107	DOCUMENT NO. SD-94550-047	SHEET NO. 1 OF 1
1	DRAFT WHERE APPLICABLE MUST REMAIN WITHIN DIMENSIONS	THIS DRAWING CONTAINS INFORMATION THAT IS PROPRIETARY TO MOLEX INCORPORATED AND SHOULD NOT BE USED WITHOUT WRITTEN PERMISSION					