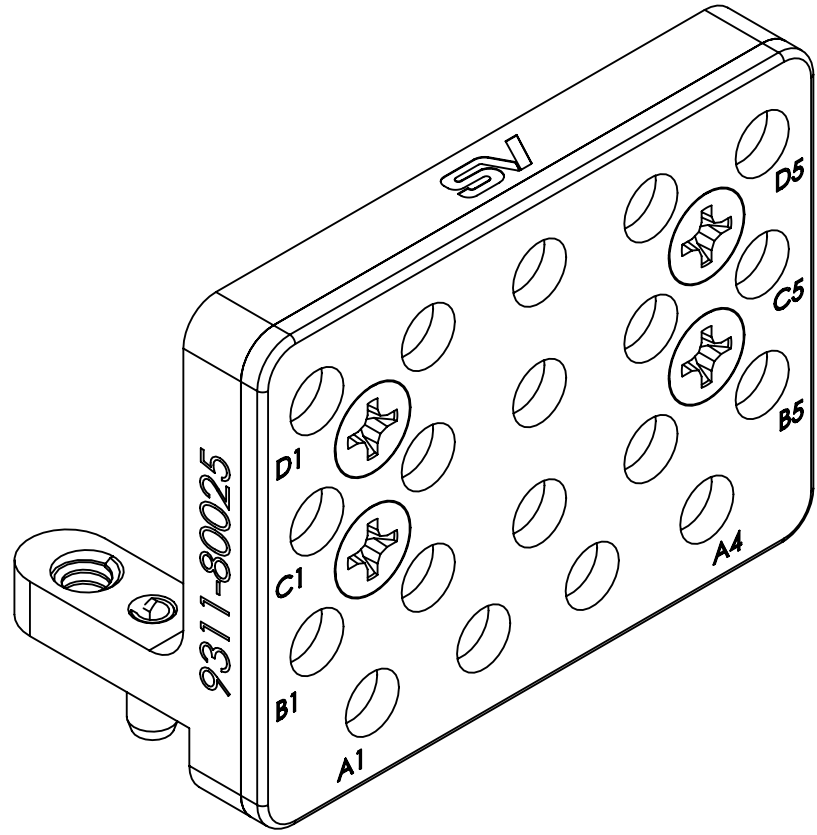
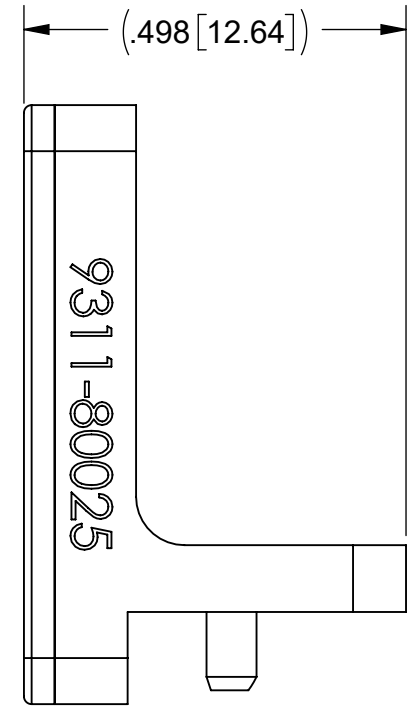
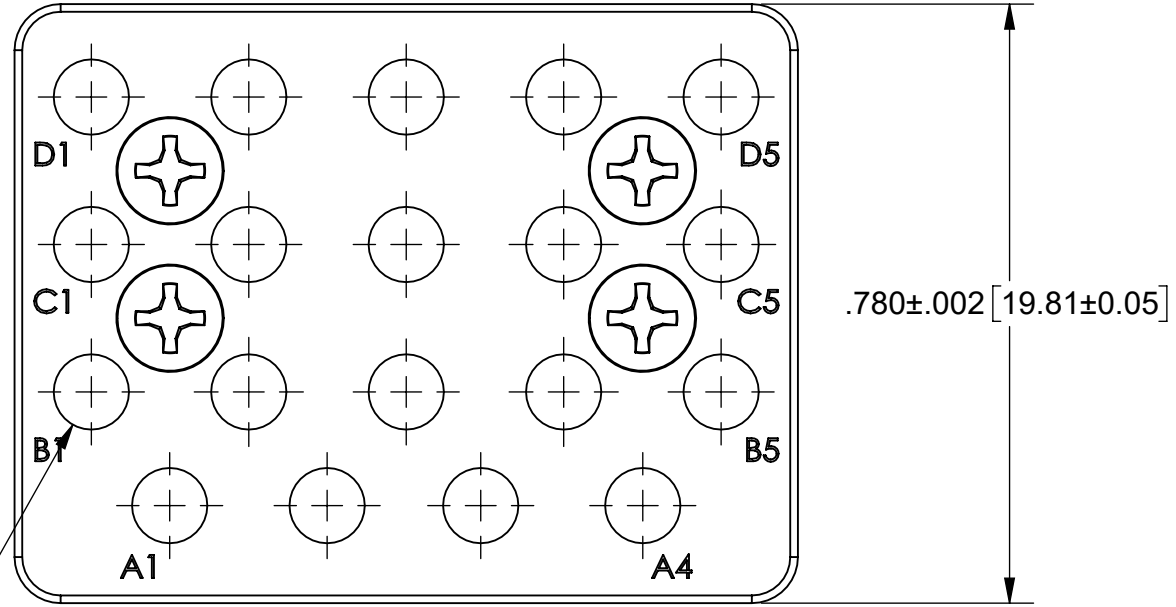


REVISION HISTORY			
REV	DESCRIPTION	DATE	APPROVED
-	NRN 46242	09/21	SEE PDM

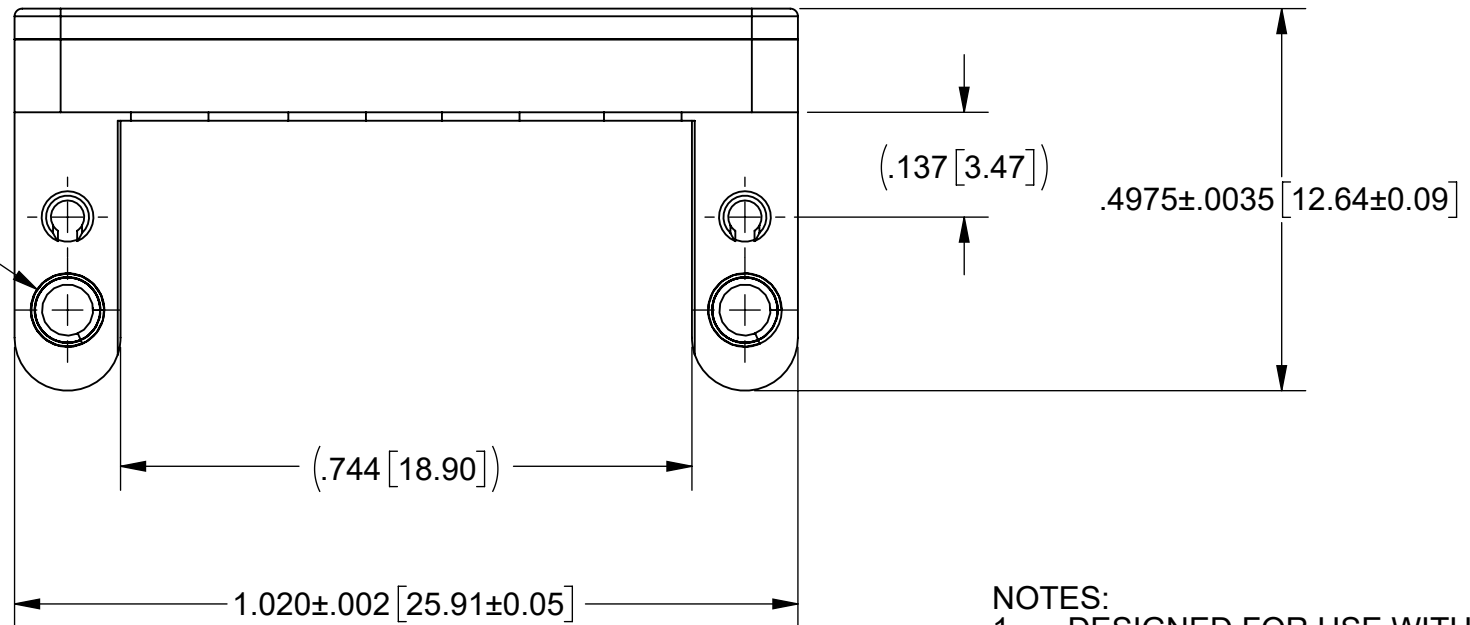
# PRODUCT DATA DRAWING



19X  $\phi$ .098 $\pm$ .001 [2.49 $\pm$ 0.03]


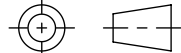


2X 2-56 UNS-2B THRU

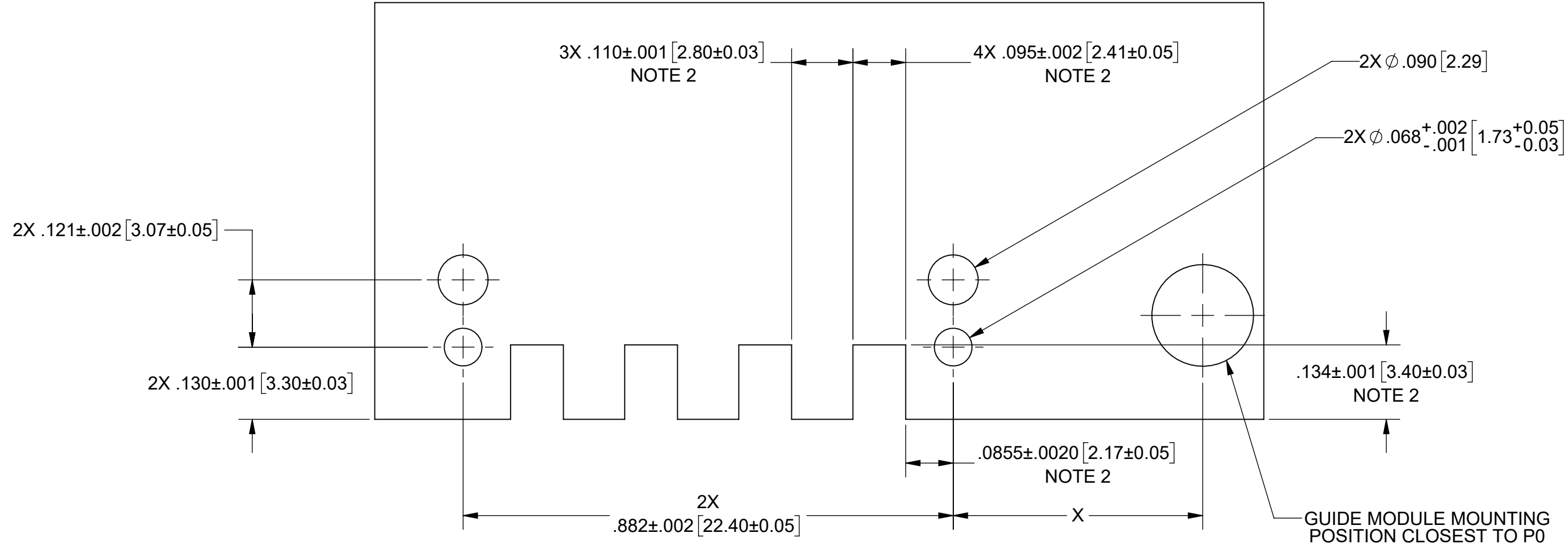


- MATERIAL:**
- BODIES: ALUMINUM ALLOY 7075
  - SPRING PINS: 420 STAINLESS STEEL
  - SCREWS, HEX NUTS, & THREADED INSERTS: 18-8 STAINLESS STEEL
  - FINISH:
  - SCREWS: PASSIVATED PER AMS-2700

**NOTES:**  
1. DESIGNED FOR USE WITH SF9321-60093 OR 9321-80036.

MATERIAL: SEE NOTES	DIMENSIONS ARE IN INCHES TOLERANCES: FRACTIONAL: $\pm$ 1/64 ANGULAR: X° $\pm$ 1'0" X'X' $\pm$ 15'	UNLESS OTHERWISE SPECIFIED 1) ALL DIMENSIONS ARE IN INCHES (MILLIMETERS) 2) ALL DIMENSIONS ARE AFTER PLATING. 3) BREAK CORNERS & EDGES .005 R. MAX. 4) CHAM. 1ST & LAST THREADS. 5) SURFACE ROUGHNESS 63-MIL-STD-10. 6) DIA: 'S ON COMMON CENTERS TO BE CONCENTRIC WITHIN .005 T.I.R. 7) REMOVE ALL BURRS	 <b>Amphenol</b> <b>MICROWAVE</b> www.svmicrowave.com
FINISH: SEE NOTES	DECIMAL: X $\pm$ .030 .XX $\pm$ .010 .XXX $\pm$ .005	INTERPRET DIMENSIONS AND TOLERANCES PER ASME Y14.5M - 1994	
SURFACE AREA: N/A	THIRD ANGLE PROJECTION	DRAWN: JPM 09/02/21	TITLE: VITA 67.3 PLUG-IN MODULE C, 19 PORT, SMPS
<b>PROPRIETARY</b> THE INFORMATION CONTAINED IN THIS DRAWING IS THE SOLE PROPERTY OF SV MICROWAVE, INC. ANY REPRODUCTION IN PART OR AS A WHOLE WITHOUT THE WRITTEN PERMISSION OF SV MICROWAVE, INC IS PROHIBITED.		CHECKED: SEE PDM	SIZE DWG. NO. <b>B</b> 9311-80025
		APPROVED: SEE PDM	SCALE: 4:1 SHEET 1 OF 3


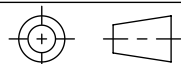
REVISION HISTORY			
REV	DESCRIPTION	DATE	APPROVED
	SEE SHEET 1		
			SEE PDM



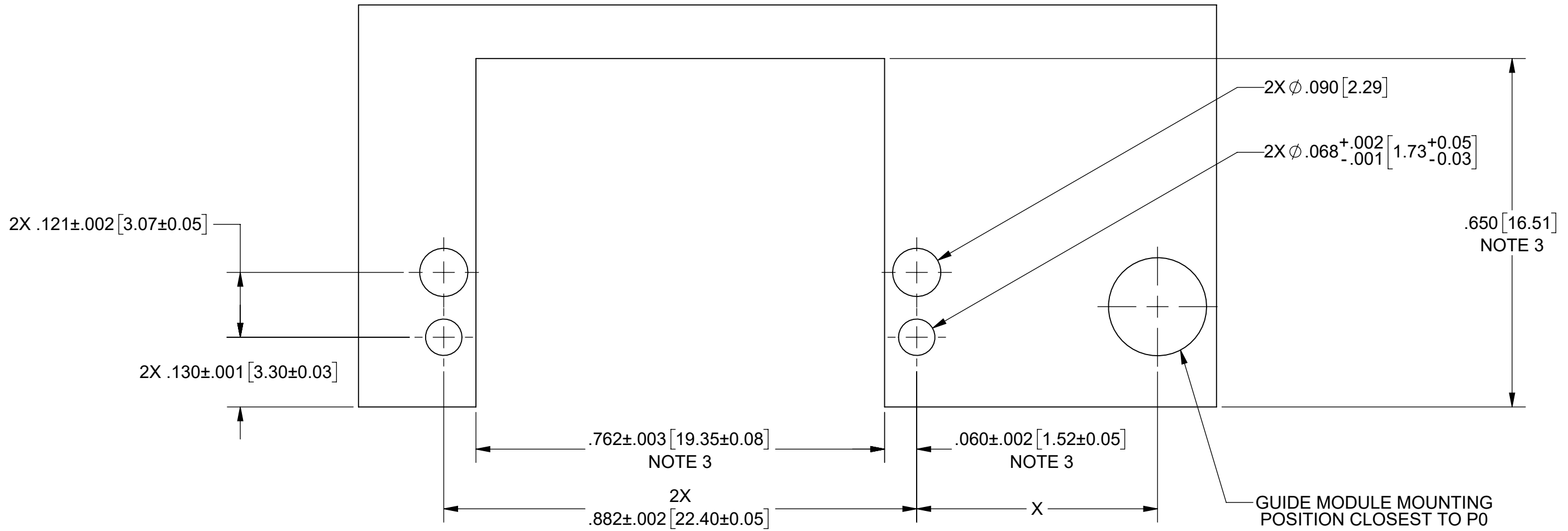
**RECOMMENDED PCB CUTOUT**

CONNECTOR LOCATION ON DAUGHTER CARD PCB	
POSITION	DIM 'X'
P2	2.144" [54.46]
P3	3.701" [94.01]
P4	5.035" [127.89]
P5	6.168" [156.67]
P6	7.316" [185.83]

NOTES:  
 2. DIMENSIONS WHEN USING 3811-40004 EDGE LAUNCH CONNECTOR & 1138-4058 BULLET.

MATERIAL: SEE NOTES	DIMENSIONS ARE IN INCHES TOLERANCES: FRACTIONAL: ±1/64 ANGULAR: X° ±1'0" X'X' ±15'	UNLESS OTHERWISE SPECIFIED 1) ALL DIMENSIONS ARE IN INCHES (MILLIMETERS) 2) ALL DIMENSIONS ARE AFTER PLATING. 3) BREAK CORNERS & EDGES .005 R. MAX. 4) CHAM. 1ST & LAST THREADS. 5) SURFACE ROUGHNESS 63-MIL-STD-10. 6) DIA: 'S ON COMMON CENTERS TO BE CONCENTRIC WITHIN .004 T.I.R. 7) REMOVE ALL BURRS	 www.svmicrowave.com TITLE: <b>VITA 67.3 PLUG-IN MODULE C,        19 PORT, SMPS</b>
FINISH: SEE NOTES	DECIMAL: X ±.030 .XX ±.010 .XXX ±.005	INTERPRET DIMENSIONS AND TOLERANCES PER ASME Y14.5M - 1994	
SURFACE AREA: N/A	THIRD ANGLE PROJECTION	DRAWN: JPM 09/02/21	SIZE DWG. NO. <b>B</b> 9311-60225
<b>PROPRIETARY</b> THE INFORMATION CONTAINED IN THIS DRAWING IS THE SOLE PROPERTY OF SV MICROWAVE, INC. ANY REPRODUCTION IN PART OR AS A WHOLE WITHOUT THE WRITTEN PERMISSION OF SV MICROWAVE, INC IS PROHIBITED.		CHECKED: SEE PDM	SCALE: 4:1
		APPROVED: SEE PDM	SHEET 2 OF 3


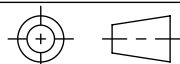
REVISION HISTORY			
REV	DESCRIPTION	DATE	APPROVED
	SEE SHEET 1		SEE PDM



**RECOMMENDED PCB CUTOUT**

CONNECTOR LOCATION ON DAUGHTER CARD PCB	
POSITION	DIM 'X'
P2	2.144" [54.46]
P3	3.701" [94.01]
P4	5.035" [127.89]
P5	6.168" [156.67]
P6	7.316" [185.83]

NOTES:  
 3. DIMENSIONS WHEN USING SF3811-60059 CABLE CONNECTORS WITH Ø.086 FLEXIBLE CABLE. CUTOUT ONLY NECESSARY IF USING CABLE CONNECTORS FOR ROW A (SEE SHEET 1).

MATERIAL: SEE NOTES	DIMENSIONS ARE IN INCHES TOLERANCES: FRACTIONAL: ±1/64 ANGULAR: X° ±1'0" X°X' ±15'	UNLESS OTHERWISE SPECIFIED 1) ALL DIMENSIONS ARE IN INCHES (MILLIMETERS) 2) ALL DIMENSIONS ARE AFTER PLATING. 3) BREAK CORNERS & EDGES .005 R. MAX. 4) CHAM. 1ST & LAST THREADS. 5) SURFACE ROUGHNESS 63-MIL-STD-10. 6) DIA: 'S ON COMMON CENTERS TO BE CONCENTRIC WITHIN .005 T.I.R. 7) REMOVE ALL BURRS	 TITLE: VITA 67.3 PLUG-IN MODULE C, 19 PORT, SMPS, ALUMINUM
FINISH: SEE NOTES	DECIMAL: .X ±.030 .XX ±.010 .XXX ±.005	INTERPRET DIMENSIONS AND TOLERANCES PER ASME Y14.5M - 1994	
SURFACE AREA: N/A	THIRD ANGLE PROJECTION	DRAWN: TSW 08/24/21	SIZE DWG. NO. B 9311-80025
<b>PROPRIETARY</b> THE INFORMATION CONTAINED IN THIS DRAWING IS THE SOLE PROPERTY OF SV MICROWAVE, INC. ANY REPRODUCTION IN PART OR AS A WHOLE WITHOUT THE WRITTEN PERMISSION OF SV MICROWAVE, INC IS PROHIBITED.		CHECKED: SEE PDM	SCALE: 4:1
		APPROVED: SEE PDM	SHEET 3 OF 3