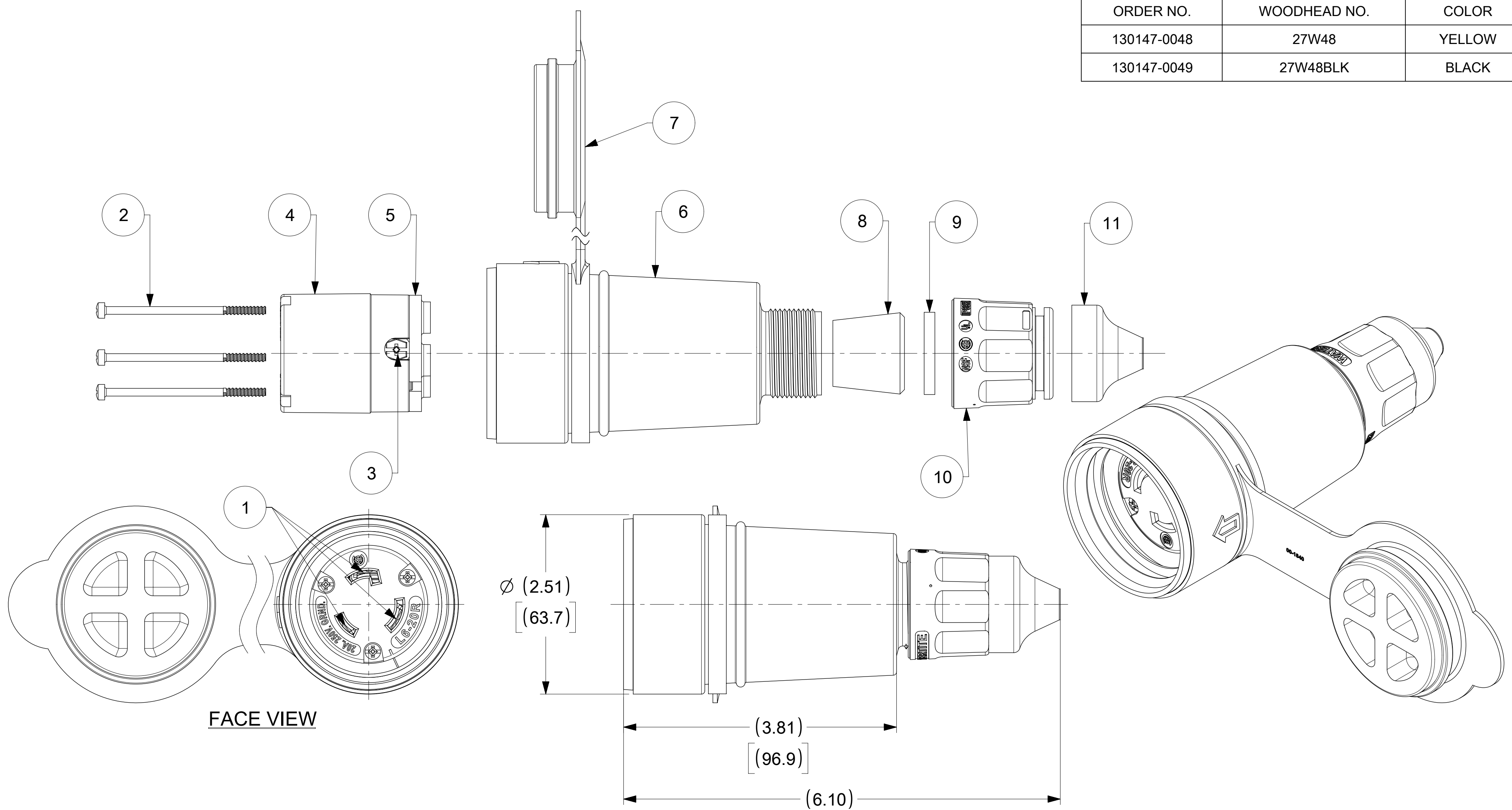


ORDER NO.	WOODHEAD NO.	COLOR
130147-0048	27W48	YELLOW
130147-0049	27W48BLK	BLACK



ITEM NO.	DESCRIPTIONS	MATERIAL	QTY.
1	BLADE	BRASS, NICKEL PLATED	3
2	RETAINING SCREWS	STAINLESS STEEL	3
3	CLAMP AND TERMINAL SCREW ASSY	BRASS, ZINC PLATED	3
4	INSERT	NYLON	1
5	TERMINAL COVER	POLYCARBONATE	1
6	HOUSING	SILICONE WITH NYLON THREAD	1
7	COVER CLOSURE	SILICONE	1
8	GROMMET	RUBBER	4
9	FRICTION RING	NYLON	1
10	COMPRESSION NUT	NYLON	1
11	WITCHES HAT	SILICONE	1

NOTE:  
1. ACCEPT CABLE RANGE FROM .437" TO .750"

<b>SYMBOLS</b> DIMENSION UNITS: INCH[MM] SCALE: NTS GENERAL TOLERANCES (UNLESS SPECIFIED): 4 PLACES ± .0005 3 PLACES ± .0004 2 PLACES ± .0003 1 PLACE ± .0002 0 PLACES ± .0001 ANGULAR TOL ± ° DRAFT WHERE APPLICABLE MUST REMAIN WITHIN DIMENSIONS THIRD ANGLE PROJECTION	THIS DRAWING CONTAINS INFORMATION THAT IS PROPRIETARY TO MOLEX ELECTRONIC TECHNOLOGIES, LLC AND SHOULD NOT BE USED WITHOUT WRITTEN PERMISSION		CURRENT REV DESC: EC NO: 617800 DRWN: DSOPPIN 2019/01/11 CHK'D: DNGUYEN62 2019/05/31 APPR: HKNEELAND 2019/10/16 INITIAL REVISION: DRWN: DSOPPIN 2019/01/11 APPR: HKNEELAND 2019/10/16		 WATERTITE CONNECTOR 2P3W L6-20 PRODUCT CUSTOMER DRAWING
	DOCUMENT NUMBER: 1301470048 MATERIAL NUMBER: SEE TABLE CUSTOMER: GENERAL MARKET	DOC TYPE: PSD DOC PART: 000 SHEET NUMBER: 1 OF 1	SERIES: C-SIZE 130147	REVISION: A	