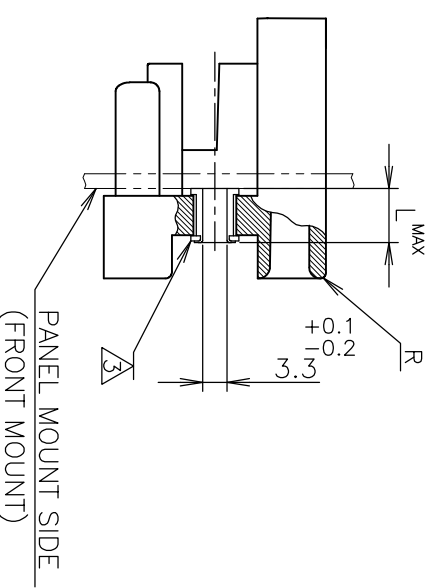
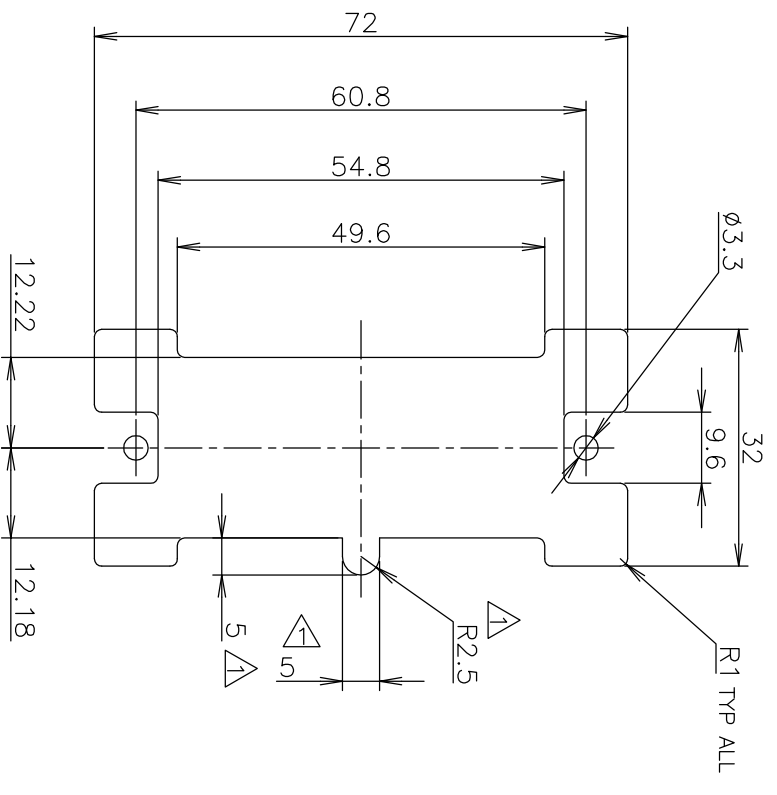
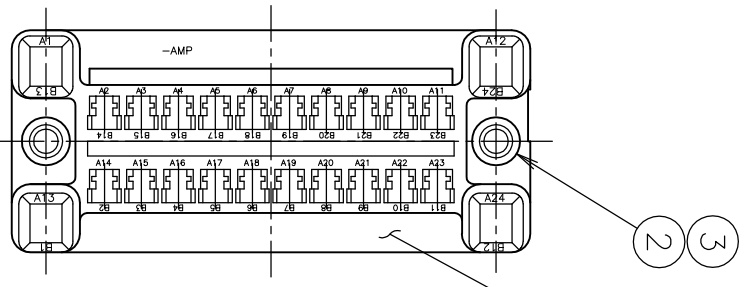
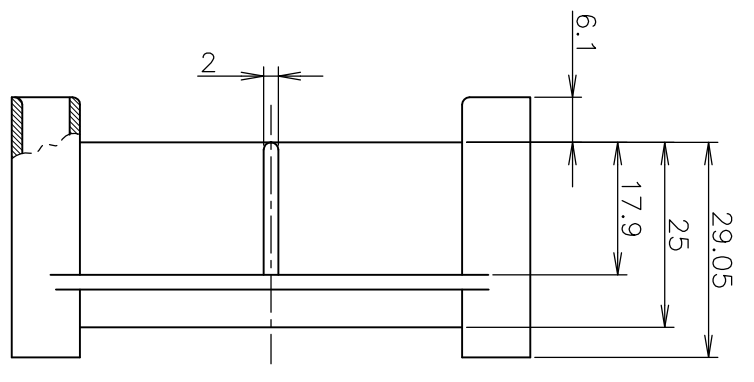
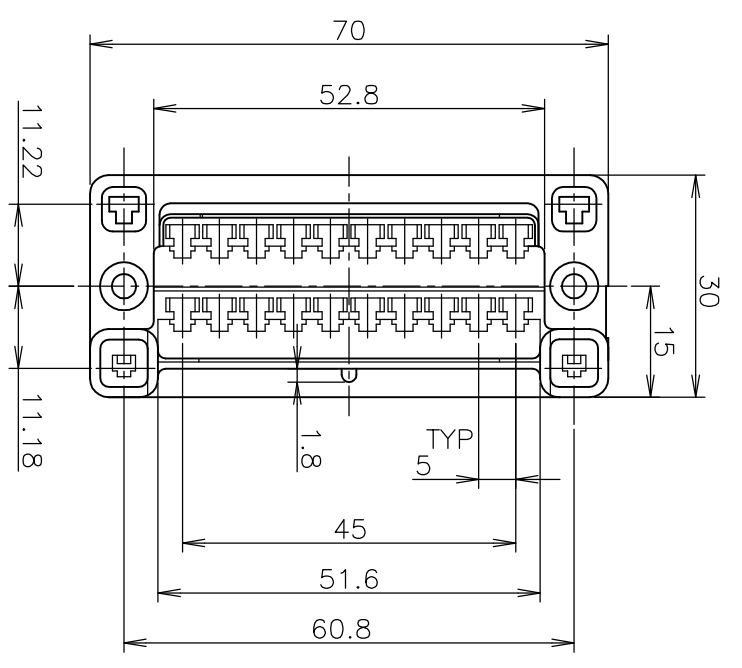


| LOC | DIST | REVISIONS | DATE | DMN | APVD |
|-----|------|---------------|---------|-----|------|
| J | | DESCRIPTION | | | |
| P | LTR | REVERSED | 18APR06 | C.Z | S.Y |
| B | | ECR-06-009116 | | | |



PANEL CUT DIMENSIONS
(FRONT MOUNT)

THIS DIMENSION USELESS IN CASE OF REAR MOUNTING.
2 CONTACT P/N
DRAWER CONTACT (20EA)
AWG#24~#20 P/N: 170311-1, 170313-1
AWG#20~#16 P/N: 170484-1, 170485-1
MIC CONTACT (4EA)
TAB CONTACT P/N: 170221-4, 170222-3 (Au Pl: 0.76u)
RECEPTACLE CONTACT P/N: 170286-4, 170289-3 (Au Pl: 0.76u)
P/N: 170286-2, 170289-2 (Au Pl: 0.76u)

FLOATING ALLOWANCE TO CONTACT AXIS IS LONGITUDINAL DIRECTION AND LATERAL DIRECTION.

| QTY | READ PER ASSY | DESCRIPTION | UNIT | MATERIAL (FINISH) | ITEM |
|-----|---------------|----------------------|------|-----------------------------|------|
| 2 | -1 | LONGITUDINAL LATERAL | 0.3 | BUSH 5.0 DIA | ③ |
| 1 | 2 | LONGITUDINAL LATERAL | 0.05 | BUSH 5.66 DIA | ② |
| 1 | 1 | LONGITUDINAL LATERAL | 0.14 | HSG 24P HIGH CURRENT DRAWER | ① |
| -2 | -1 | FLOATING ALLOWANCE | | NAME | |

| DMN | CHK | NAME | TYCO |
|-------|--------|---------|---------|
| C.ZHU | I.WANG | 07SEPO5 | 07SEPO5 |
| | S.YAO | 07SEPO5 | 07SEPO5 |

| APVD | PRODUCT SPEC | APPLICATION SPEC | WEIGHT | SIZE | CAGE CODE | DRAWING NO | RESTRICTED TO |
|------|--------------|------------------|--------|------|-----------|------------|---------------|
| | | | | A3 | 00779 | 5176916 | |

| GENERAL TOLERANCE | MATERIAL | FINISH | CUSTOMER DRAWING | SCALE | SHEET | OF | REV |
|--|-----------|-----------|------------------|-------|-------|----|-----|
| 10 ≥ : ±0.2 30 ≥ > 10: ±0.25 100 ≥ > 30: ±0.3 ANGLES: ±3° | SEE TABLE | SEE TABLE | | 1:1 | 1 | 1 | B |