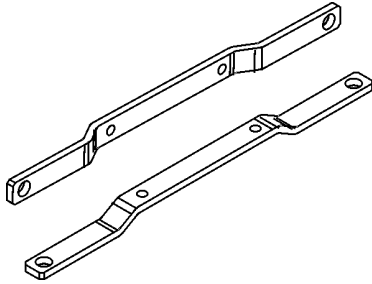


## 1. GENERAL DESCRIPTION

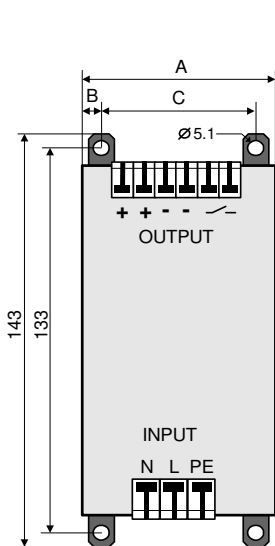


### BRACKET FOR WALL MOUNTING

This bracket is used to mount the unit onto a flat surface without utilizing a DIN-Rail.

The bracket is suitable for all DIMENSION units, which have the bracket listed as an accessory in the device datasheets.

## 2. DIMENSIONS AND INSTALLATION DATA



	A	B	C
<b>CD5</b>	32mm	4.8mm	22.5mm
<b>CS3</b>	32mm	4.8mm	22.5mm
<b>CS5</b>	32mm	4.8mm	22.5mm
<b>CS10</b>	60mm	5.8mm	48.5mm
<b>CT5</b>	40mm	5.0mm	30.0mm
<b>CT10</b>	62mm	5.7mm	50.6mm
<b>QS3</b>	32mm	4.8mm	22.5mm
<b>QS5</b>	40mm	5.3mm	29.5mm
<b>QS10</b>	60mm	5.8mm	48.5mm
<b>QT20</b>	65mm	6.3mm	40.0mm
<b>QTD20</b>	65mm	6.3mm	40.0mm
<b>QS20</b>	82mm	8.0mm	66.0mm
<b>QS20.244</b>	70mm	8.0mm	54.0mm
<b>UF20</b>	64mm	12.0mm	40.0mm
<b>UB10</b>	49mm	5.3mm	38.4mm
<b>YR2</b>	32mm	4.8mm	22.5mm
<b>YRM2</b>	2mm	4.8mm	22.5mm

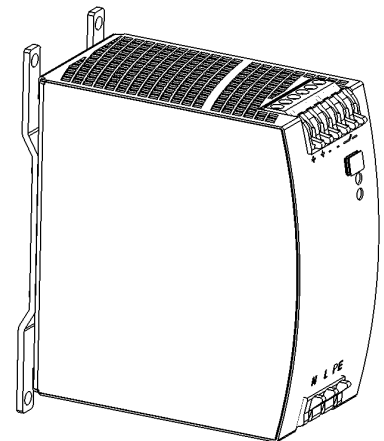
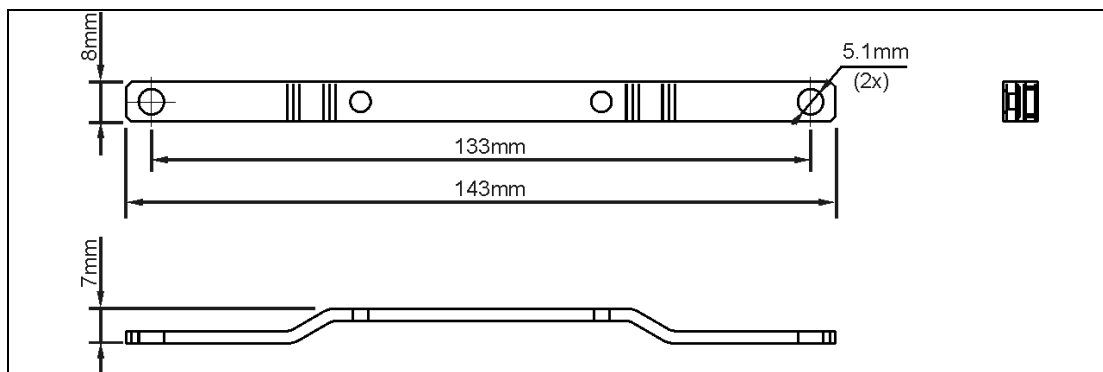
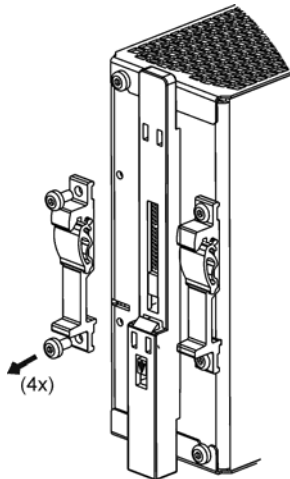


Fig. 2-1 Physical dimensions



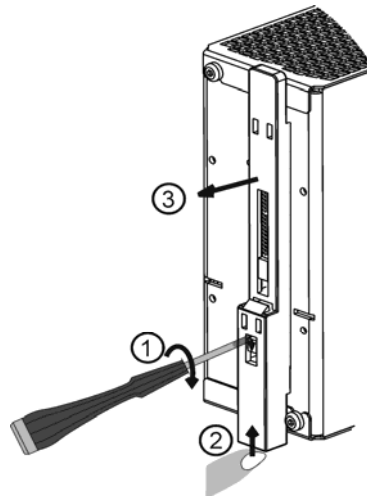
### 3. ASSEMBLY AND MOUNTING INSTRUCTIONS

Fig. 3-1 Detaching DIN-Rail brackets



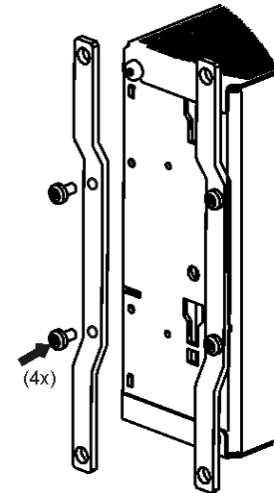
Detach the two aluminium brackets by removing the four screws with a Torx screwdriver (Torx 10).

Fig. 3-2 Detach slide



Remove the plastic lock mechanism by using a flat-blade screwdriver to move the lock downwards while at the same time push the plastic slider upwards. Detach the plastic slider.

Fig. 3-3 Mounting steel bracket



Mount the steel brackets with the same screws from the DIN-Rail brackets. Be careful not to over-tighten the screws! Recommended tightening torque is 0.6Nm/ 5.3lb.in.

**⚠ WARNING**

Risk of electrical shock, fire, personal injury or death.  
Do not use other screws than the one from the DIN-Rail bracket. The unit might become unsafe when using longer screws as contact with live electrical circuits may occur.

### 4. ORDER NUMBERS

Accessory      **ZM1.WALL**      Wall-mounting Bracket Kit (2pcs.)