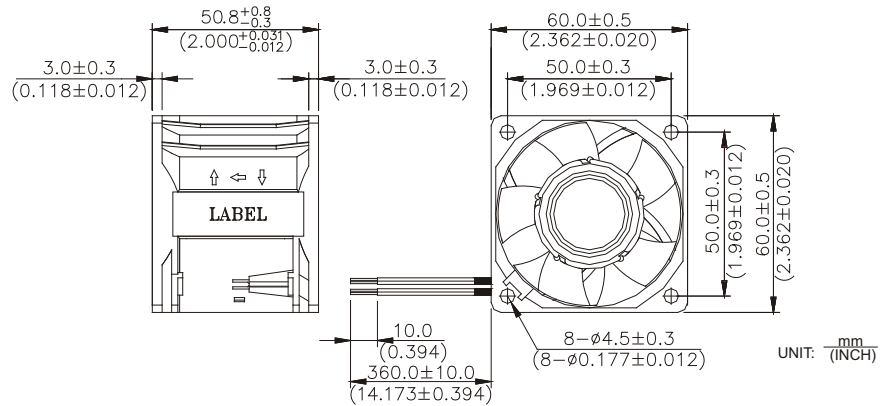


# GFB 60 x 60 x 50.8 MM SERIES

*New*



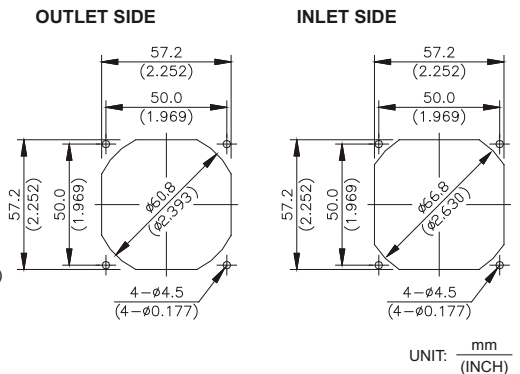
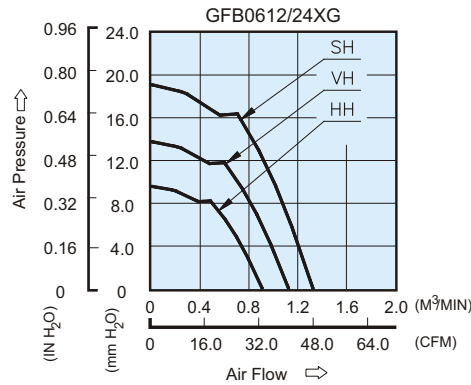
## DIMENSIONS DRAWING



- \* Bearing Type  
Ball Bearings
- \* Material  
Impeller & Frame : Plastic(UL 94V-0)
- \* Lead Wires :  
UL 1061 AWG #24 OR Equivalent  
Red Wire Positive(+)  
Black Wire Negative(-)
- \* Weight : 125g (4.41 OZ)

## P & Q CURVE (AT RATED VOLTAGE)

## MOUNTING PANEL CUTOUT



MODEL		Rated Voltage	Operating Voltage Range	Rated Current	Rated Input Power	Speed (Front/Rear)	Maximum Air Flow		Maximum Air Pressure		Noise
PART NO.	FUNCTION	VDC	VDC	Amp	Watt	R.P.M.	m <sup>3</sup> /min	CFM	mmH <sub>2</sub> O	IN H <sub>2</sub> O	dB-A
GFB0612HHG	-R00 / -F00	12	7.0 to 13.8	0.43	5.16	5000/4600	0.910	32.14	9.59	0.378	50.5
GFB0624HHG	-R00 / -F00	24	14.0 to 27.6	0.20	4.80	6000/5500	1.126	39.76	13.78	0.543	54.0
GFB0612VHG	-R00 / -F00	12	7.0 to 13.8	0.62	7.44						
GFB0624VHG	-R00 / -F00	24	14.0 to 27.6	0.28	6.72	7000/6450	1.326	46.83	19.10	0.752	58.0
GFB0612SHG	-R00 / -F00	12	7.0 to 13.8	0.82	9.84						

\* Function type is optional.  
 \* The max. air flow and the speed are measured in free air ; max. air pressure is measured at zero air flow.  
 \* Noise is measured in anechoic chamber in free air, one meter from intake side.  
 \* All readings are typical values at rated voltage.  
 \* Specifications are subject to change without notice.