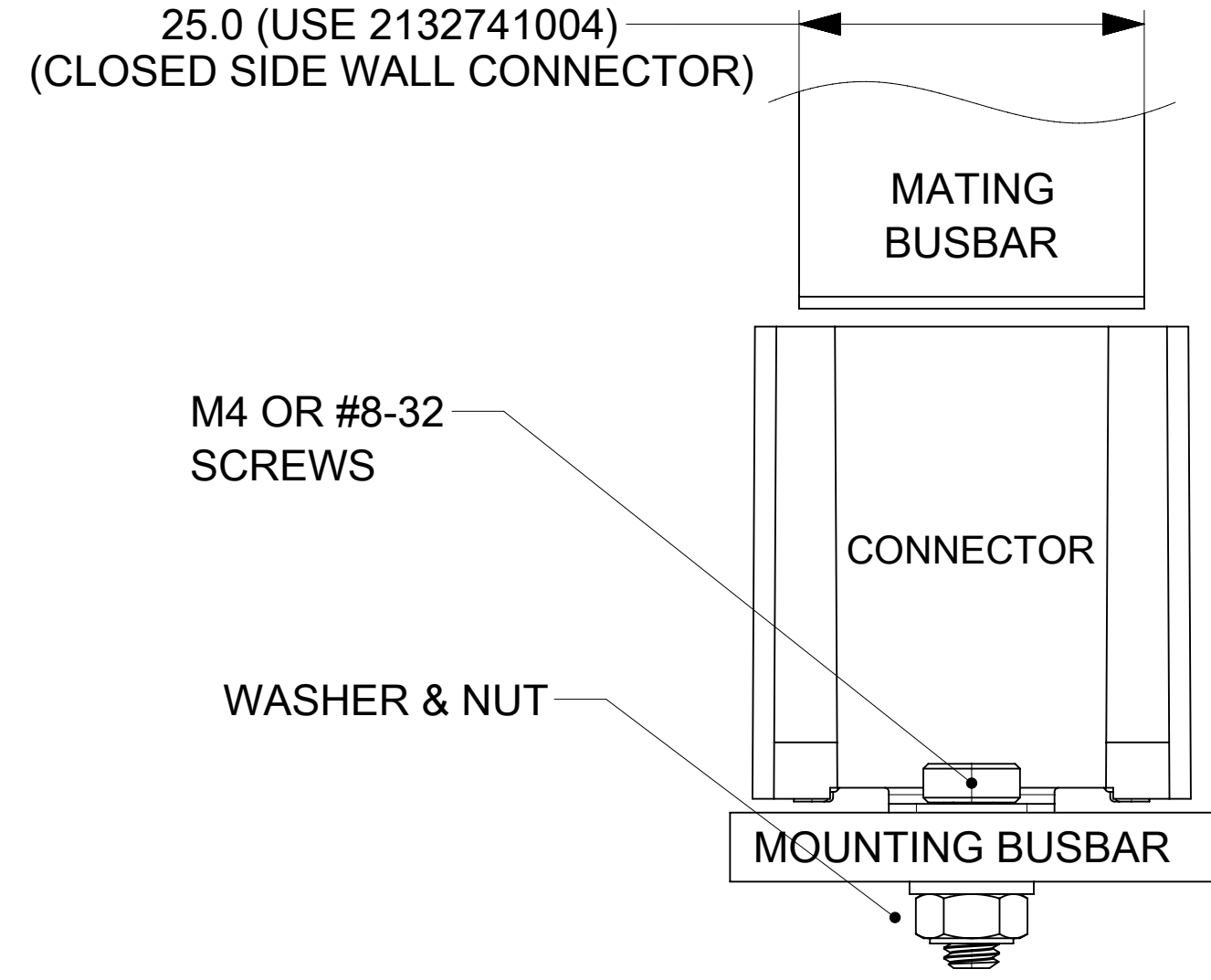
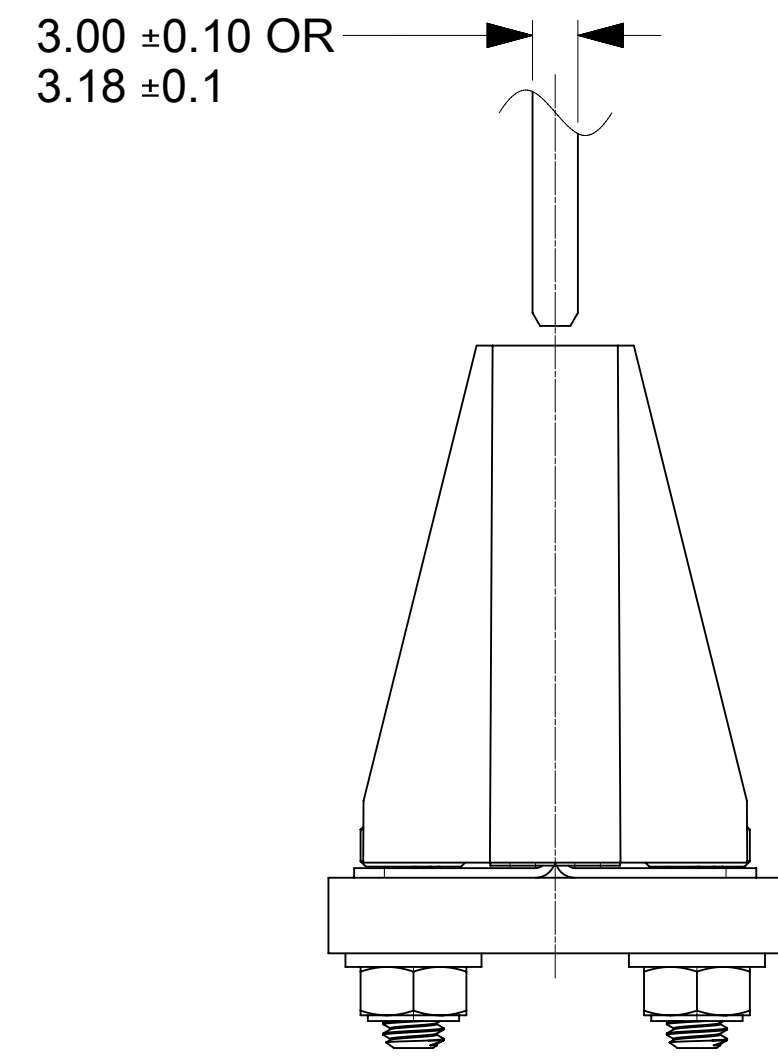
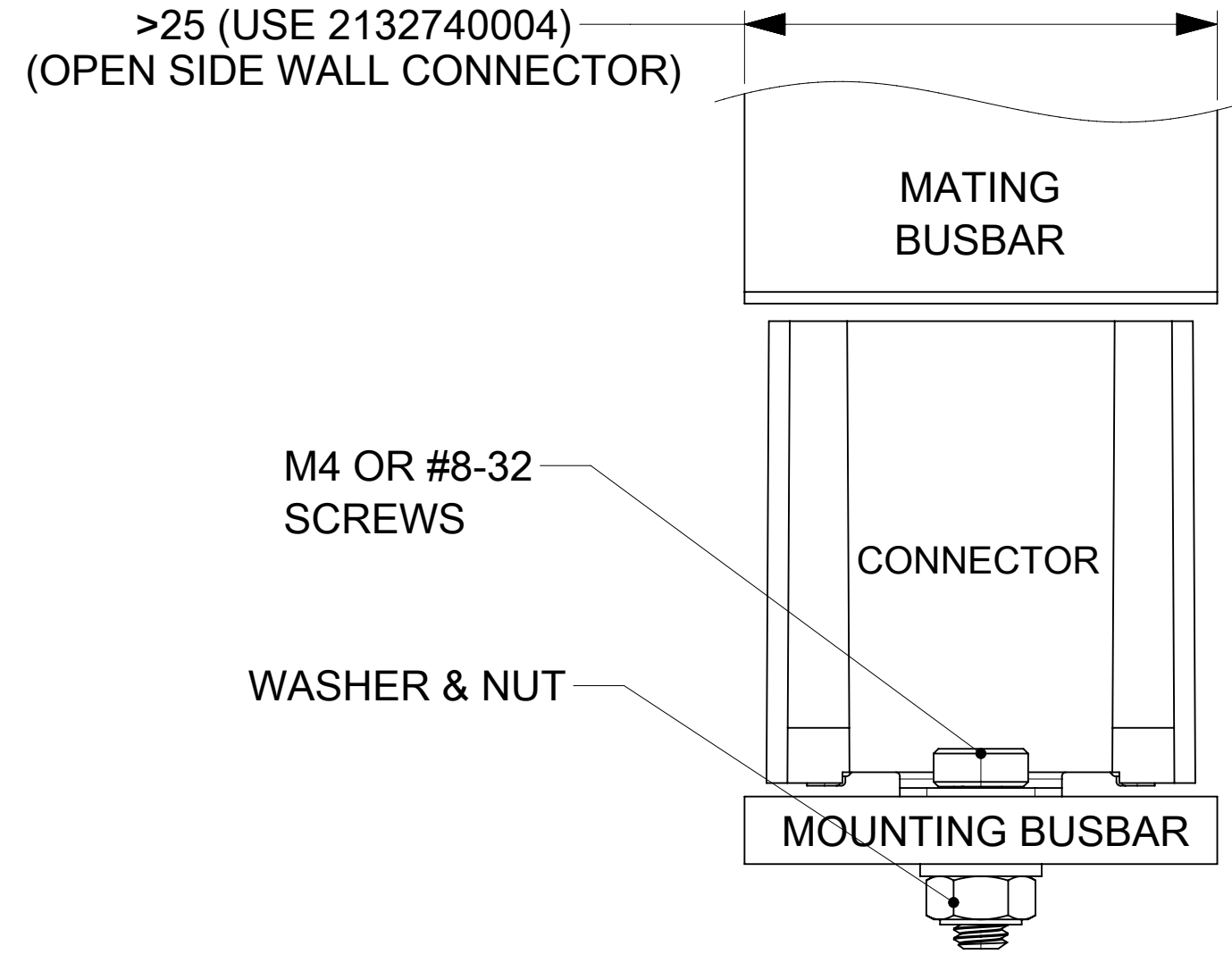
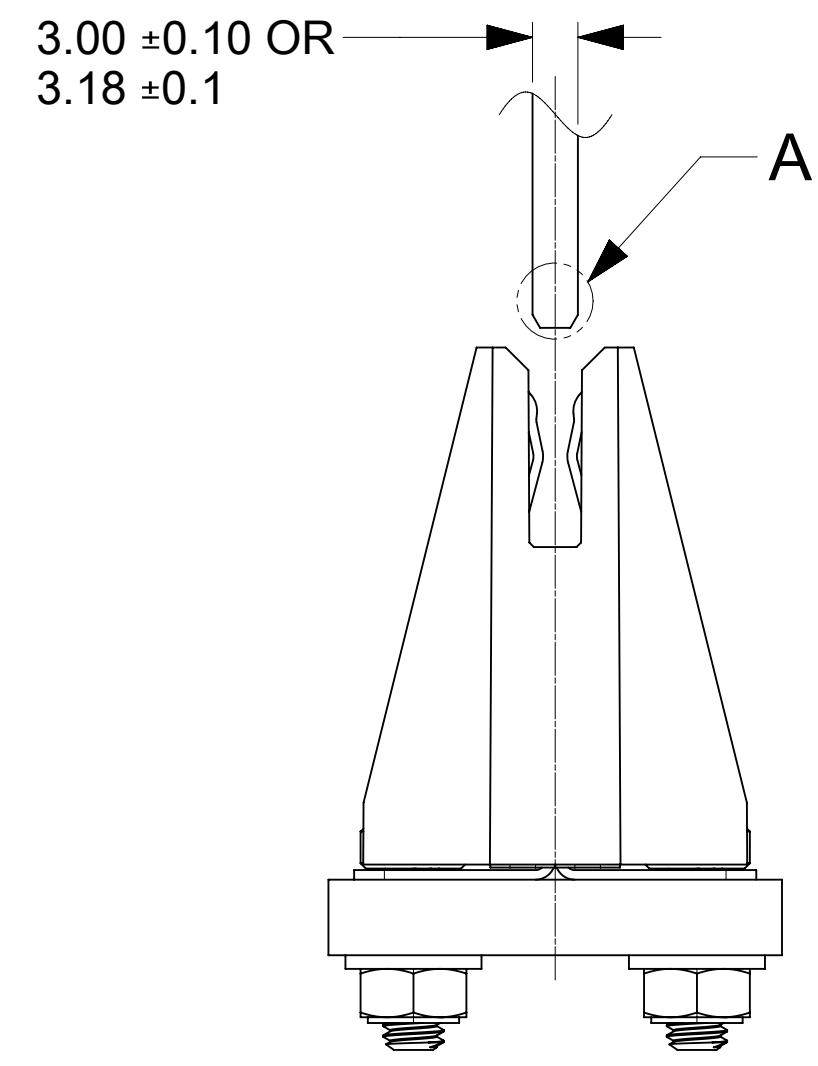
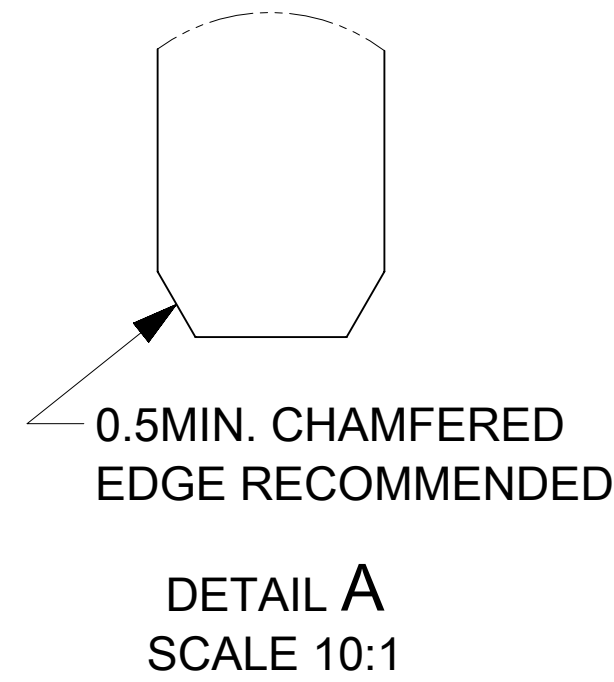
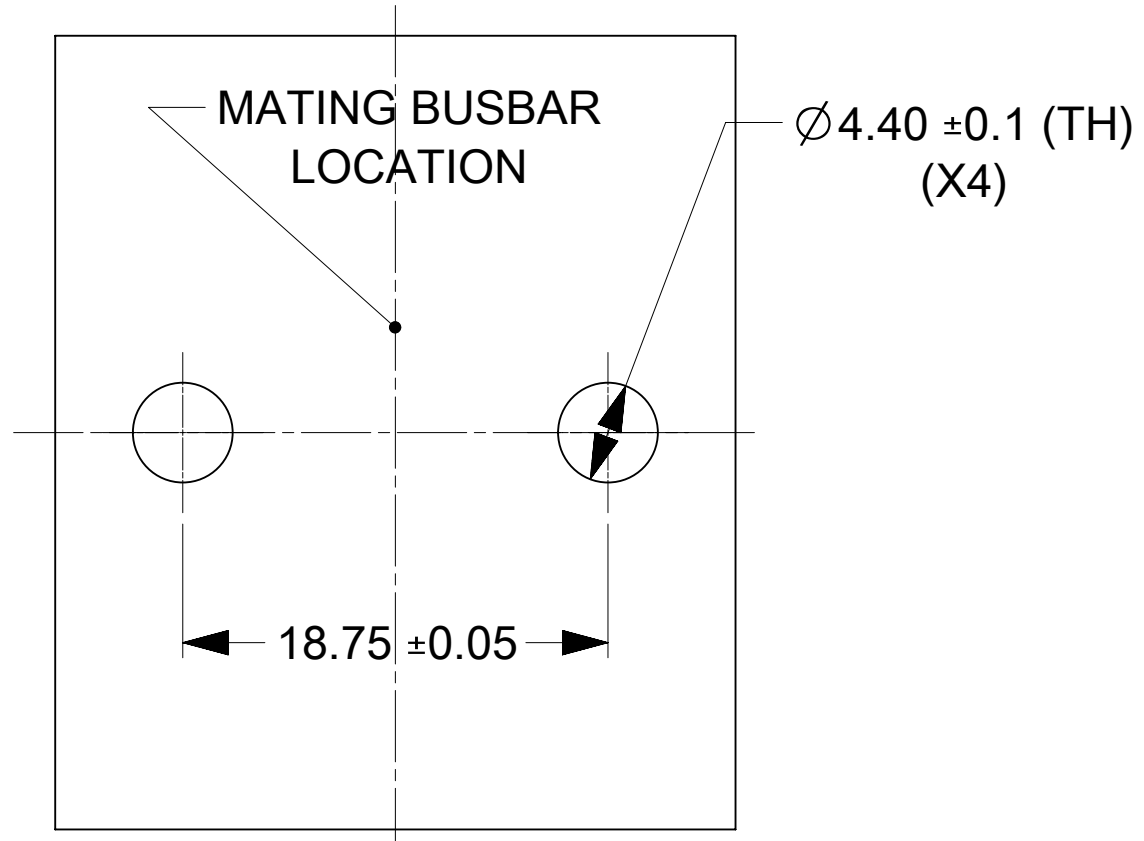


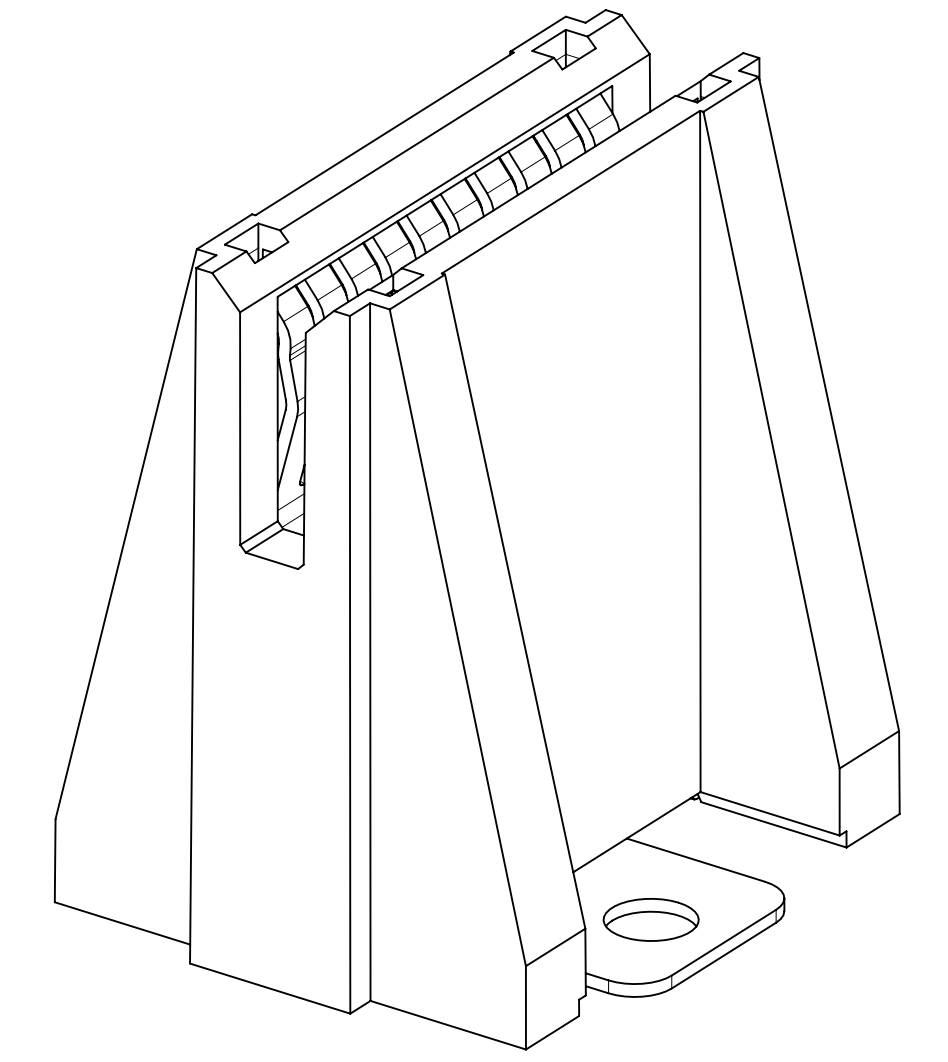
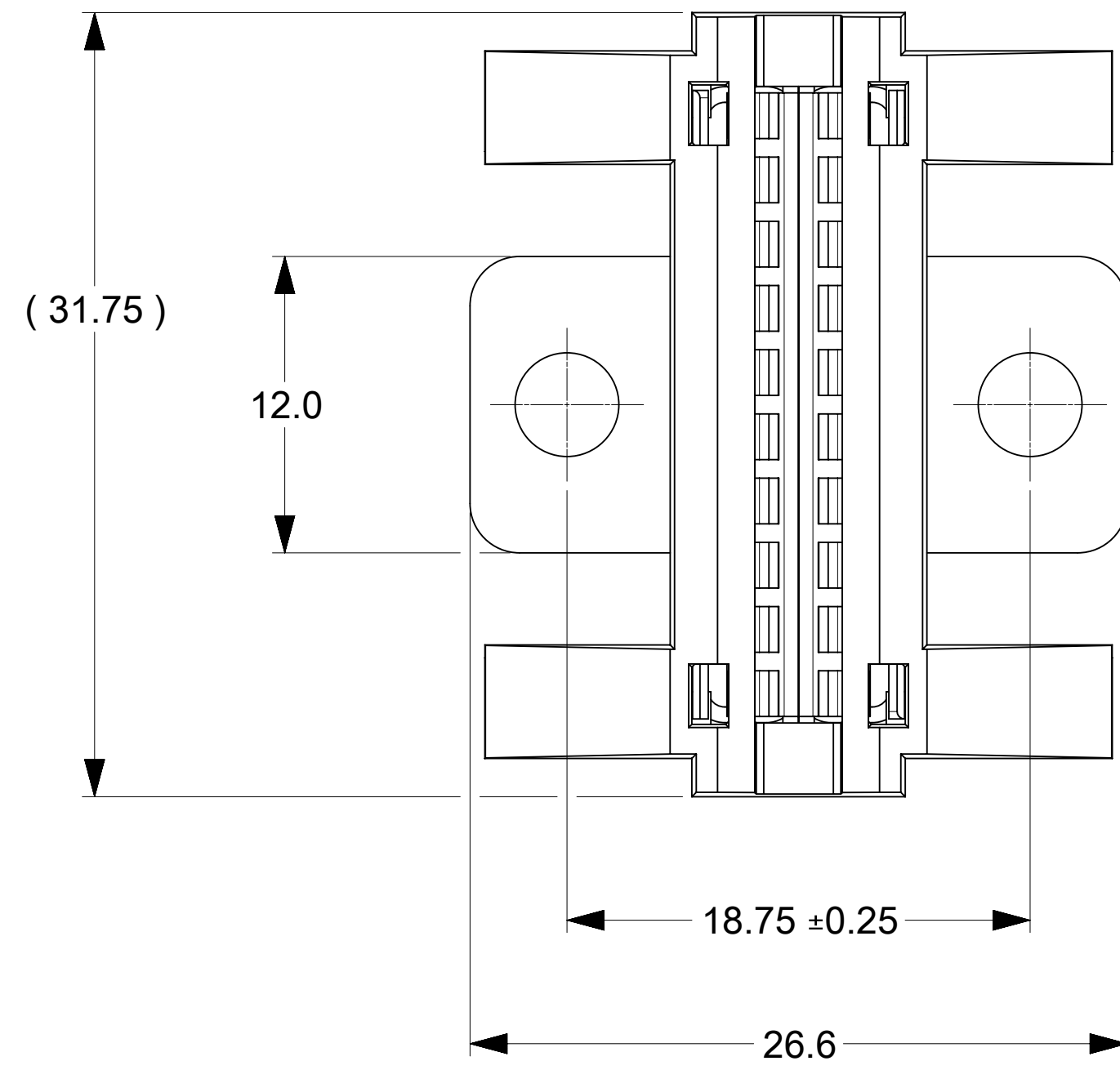
PART NUMBER	DESCRIPTION	NOTE
2132740004	OPEN SIDE WALL	
2132741004	CLOSED SIDE WALL	



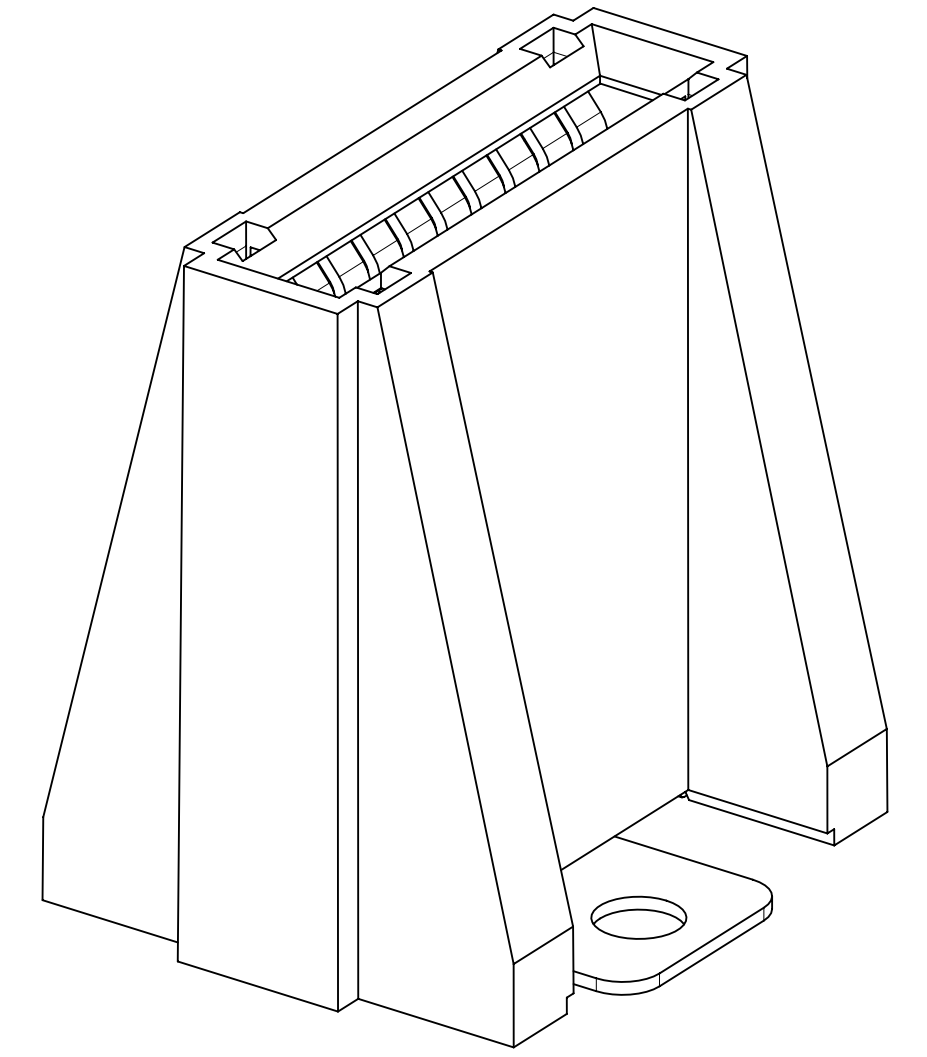
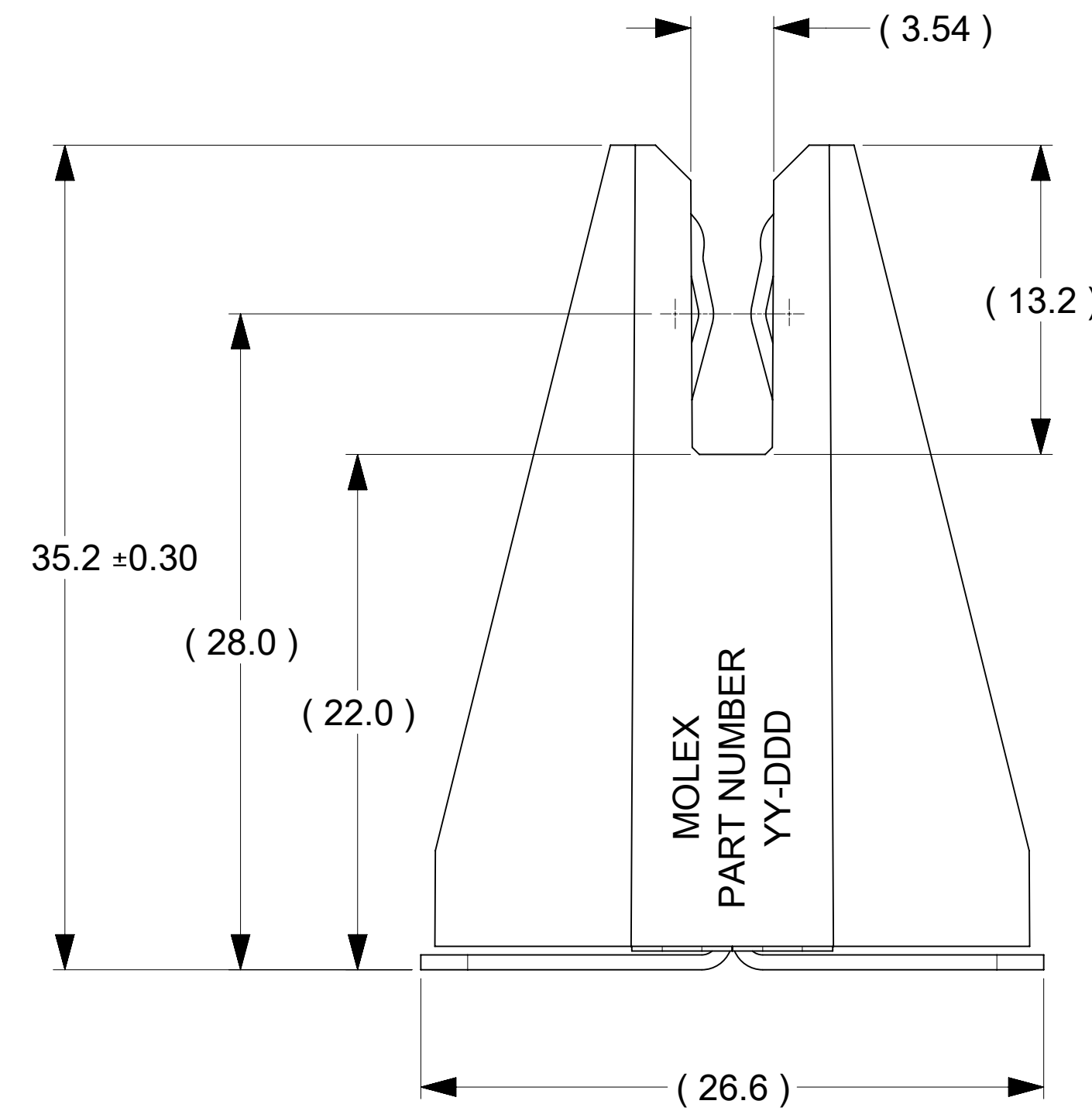
BUSBARS, SCREWS, WASHER AND NUTS
IN THESE VIEWS ARE SHOWN FOR REFERENCE



- NOTES:
- MATERIALS:
 - HOUSING BODY: POLYMER, UL94V-0, BLACK.
 - TERMINALS: COPPER ALLOY.
 - RIVET/CLIP: COPPER ALLOY.
 - PLATING:
 - CONTACT AREAS: 3.18 MICRON MIN. SILVER, OVER 1.27 MICRON MIN. NICKEL.
 - TAB AREAS: 3.18 MICRON MIN. TIN OVER 1.27 MICRON MIN. NICKEL.
 - REST: 1.27 MICRON MIN. NICKEL.
 - LUBRICATION: LUBED IN CONTACT AREA.
 - REFERENCE DOCUMENT: 2132740001-PS, 2132740001-AS
 - MODULE ASSEMBLY IS RoHS COMPLIANT.
 - FINAL ASSEMBLY TO BE PACKAGED AND LABELED PER PACKAGING KIT DRAWING NUMBER 2132740003-PK.



PART NUMBER: 2132740004
(OPEN SIDE WALLS)



PART NUMBER: 2132741004
(CLOSED SIDE WALLS)

RECOMMENDED BUSBAR LAYOUT

FUNCTIONAL SYMBOLS	THIS DRAWING CONTAINS INFORMATION THAT IS PROPRIETARY TO MOLEX ELECTRONIC TECHNOLOGIES, LLC AND SHOULD NOT BE USED WITHOUT WRITTEN PERMISSION		CURRENT REV DESC:	
DIMENSION UNITS	SCALE			
$F_A = 0$	mm	3:1		
$F_C = 0$	GENERAL TOLERANCES (UNLESS SPECIFIED)			
$F_D = 0$	ANGULAR TOL ± °			
DIVISIONAL SYMBOLS	4 PLACES	±	EC NO: 691028	
	3 PLACES	±	DRWN: TOMLU 2022/03/11	
	2 PLACES	± 0.15	CHK'D: BPISZCZOR 2022/03/22	
	1 PLACE	± 0.25	APPR: BPISZCZOR 2022/03/22	
	0 PLACES	±	INITIAL REVISION:	
	DRAFT WHERE APPLICABLE MUST REMAIN WITHIN DIMENSIONS		DRWN: TOMLU 2021/04/07	
	THIRD ANGLE PROJECTION		APPR: BPISZCZOR 2021/12/21	
	DRAWING	SERIES	MATERIAL NUMBER	CUSTOMER
	D-SIZE	213274	2132740004-SD	PSD 000 A2
			SEE CHART	SHEET NUMBER 1 OF 1