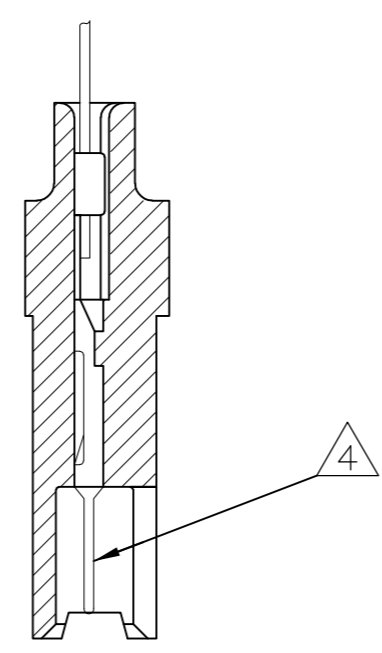
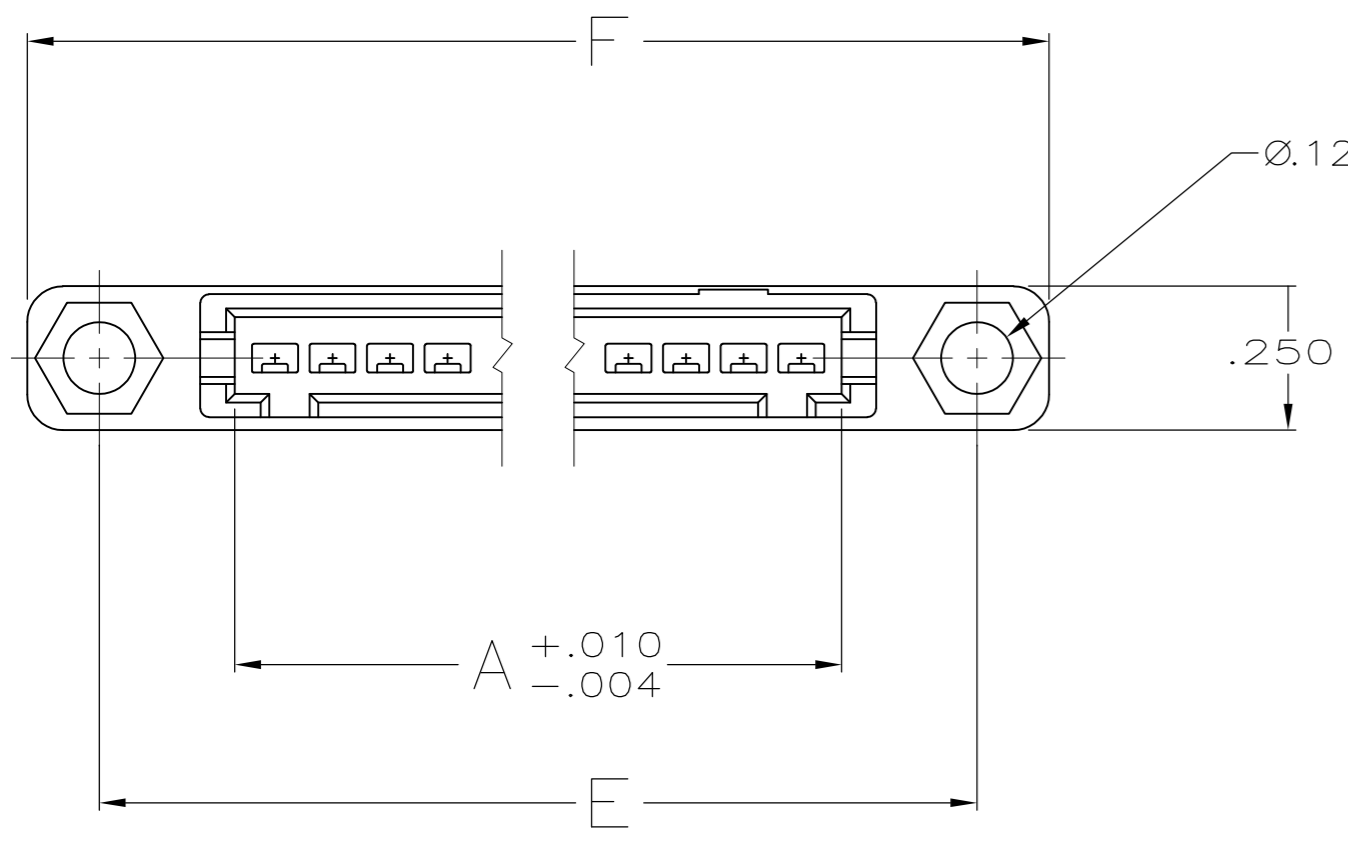
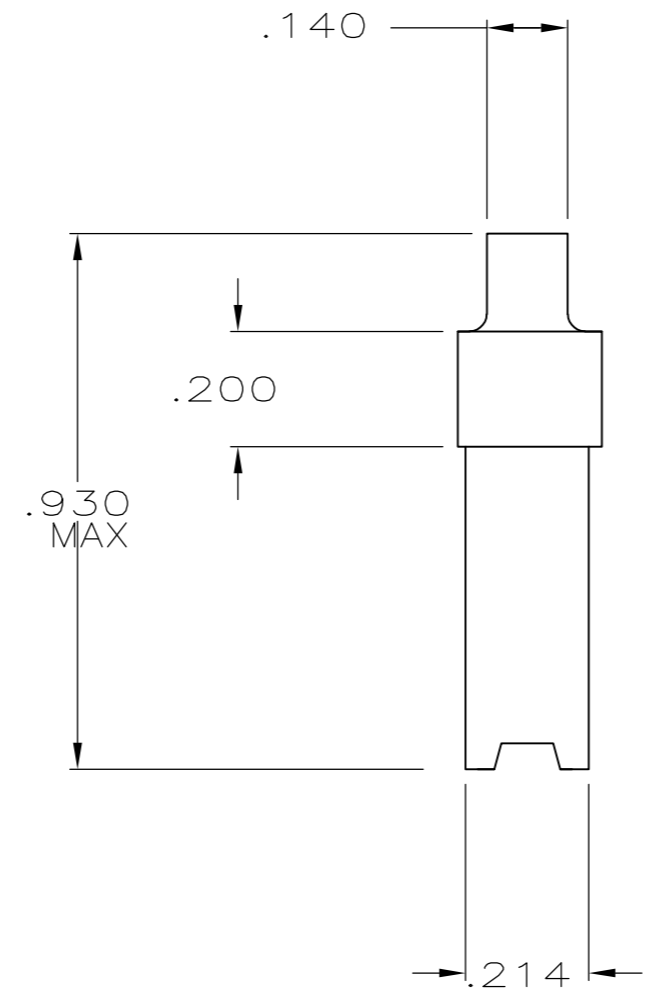
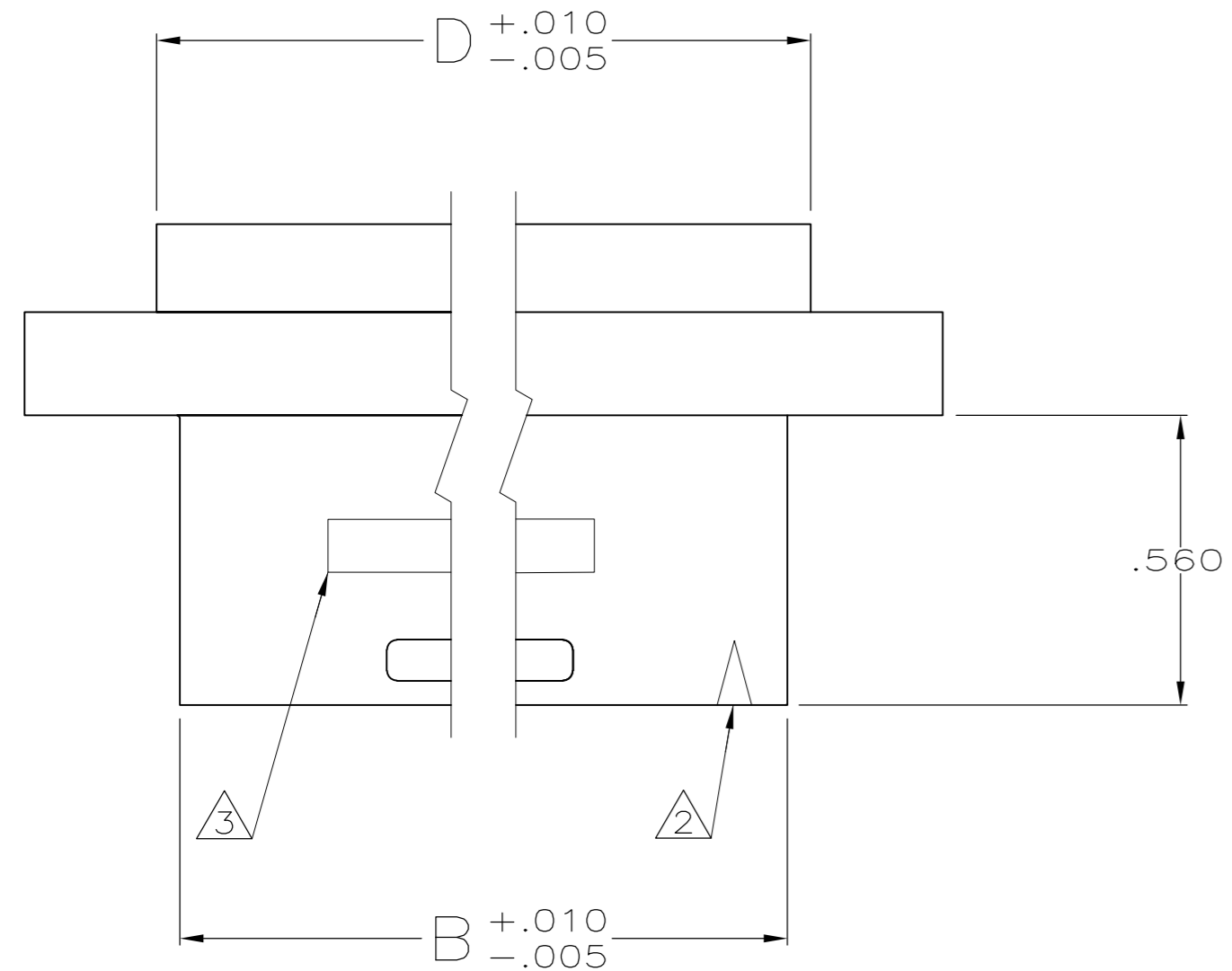
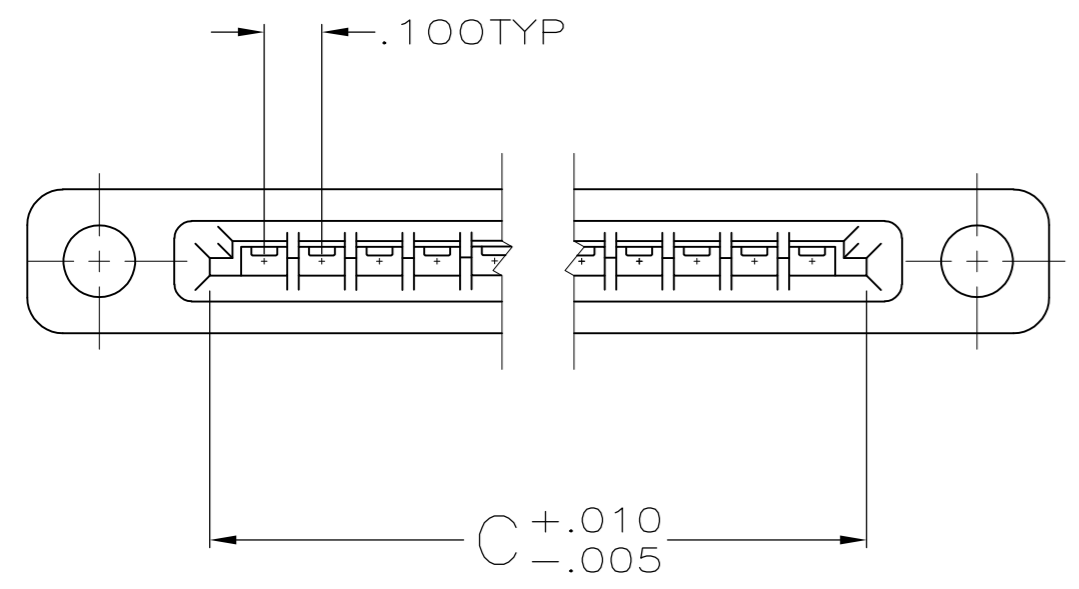


THIS DRAWING IS UNPUBLISHED. RELEASED FOR PUBLICATION
 © COPYRIGHT - By - ALL RIGHTS RESERVED.

LOC		DIST		REVISIONS			
P	LTR	DESCRIPTION	DATE	DWN	APVD		
	T2	REVISED PER ECO-13-019961	19DEC2013	RW	WH		
	T1	REVISED PER ECO-09-020932	08SEP09	KK	AEQ		

- HOUSING WILL ACCOMMODATE FLEXIBLE FLAT CONDUCTOR CABLE
.050 OR .062 WIDE CONDUCTORS ON .100 CENTERS AND/OR
#32-22 AWG WIRE WITH INSULATION RANGE .025-.056 DIA.
- INDICATES POSITION 1, SURFACE TEXTURE TO CONTRAST WITH REST OF HOUSING.
- AMP TRADEMARK MOLDED IN THIS AREA.
- PIN CONTACTS MUST BE ORDERED SEPARATELY.
- OBSOLETE PART NUMBER.
- GLASS-FILLED PBT, BLACK, UL V-0.
- OBSOLETE PARTS: OBSOLETE CIS STREAMLINING PER D.RENAUD/D.SINISI



CRIMPED CONTACT SHOWN FOR REF ONLY

4.260	4.010	3.750	3.626	3.660	3.540	35	5	3-485897-3
4.160	3.910	3.650	3.526	3.560	3.440	34	5	3-485897-2
4.060	3.810	3.550	3.426	3.460	3.340	33	5	3-485897-1
3.960	3.710	3.450	3.326	3.360	3.240	32	5	3-485897-0
3.860	3.610	3.350	3.226	3.260	3.140	31	5	2-485897-9
3.760	3.510	3.250	3.126	3.160	3.040	30	5	2-485897-8
3.660	3.410	3.150	3.026	3.060	2.940	29	5	2-485897-7
3.560	3.310	3.050	2.926	2.960	2.840	28	5	2-485897-6
3.460	3.210	2.950	2.826	2.860	2.740	27	5	2-485897-5
3.360	3.110	2.850	2.726	2.760	2.640	26	5	2-485897-4
3.260	3.010	2.750	2.626	2.660	2.540	25	5	2-485897-3
3.160	2.910	2.650	2.526	2.560	2.440	24	5	2-485897-2
3.060	2.810	2.550	2.426	2.460	2.340	23	5	2-485897-1
2.960	2.710	2.450	2.326	2.360	2.240	22	5	2-485897-0
2.860	2.610	2.350	2.226	2.260	2.140	21	5	1-485897-9
2.760	2.510	2.250	2.126	2.160	2.040	20	5	1-485897-8
2.660	2.410	2.150	2.026	2.060	1.940	19	5	1-485897-7
2.560	2.310	2.050	1.926	1.960	1.840	18	5	1-485897-6
2.460	2.210	1.950	1.826	1.860	1.740	17	5	1-485897-5
2.360	2.110	1.850	1.726	1.760	1.640	16	5	1-485897-4
2.260	2.010	1.750	1.626	1.660	1.540	15	5	1-485897-3
2.160	1.910	1.650	1.526	1.560	1.440	14	5	1-485897-2
2.060	1.810	1.550	1.426	1.460	1.340	13	5	1-485897-1
1.960	1.710	1.450	1.326	1.360	1.240	12	5	1-485897-0
1.860	1.610	1.350	1.226	1.260	1.140	11	5	485897-9
1.760	1.510	1.250	1.126	1.160	1.040	10	5	485897-8
1.660	1.410	1.150	1.026	1.060	.940	9	5	485897-7
1.560	1.310	1.050	.926	.960	.840	8	5	485897-6
1.460	1.210	.950	.826	.860	.740	7	5	485897-5
1.360	1.110	.850	.726	.760	.640	6	5	485897-4
1.260	1.010	.750	.626	.660	.540	5	5	485897-3
1.160	.910	.650	.526	.560	.440	4	5	485897-2
1.060	.810	.550	.426	.460	.340	3	5	485897-1

7 OBSOLETE
 OBSOLETE
 OBSOLETE
 OBSOLETE

F	E	D	C	B	A	NO OF POSN	PART NUMBER
THIS DRAWING IS A CONTROLLED DOCUMENT.							DWN KATE HELM 11/07/88
DIMENSIONS: INCHES							CHK D.ROCKER 3-6-89
TOLERANCES UNLESS OTHERWISE SPECIFIED:							APVD - NAME
0 PLC ± -							PRODUCT SPEC -
1 PLC ± -							APPLICATION SPEC -
2 PLC ± -							WEIGHT -
3 PLC ± .005							SIZE A2 CAGE CODE 00779 DRAWING NO C-485897
4 PLC ± -							RESTRICTED TO -
ANGLES ± -							SCALE 4:1 SHEET 1 of 1 REV T2
FINISH -							CUSTOMER DRAWING