

PART NAME

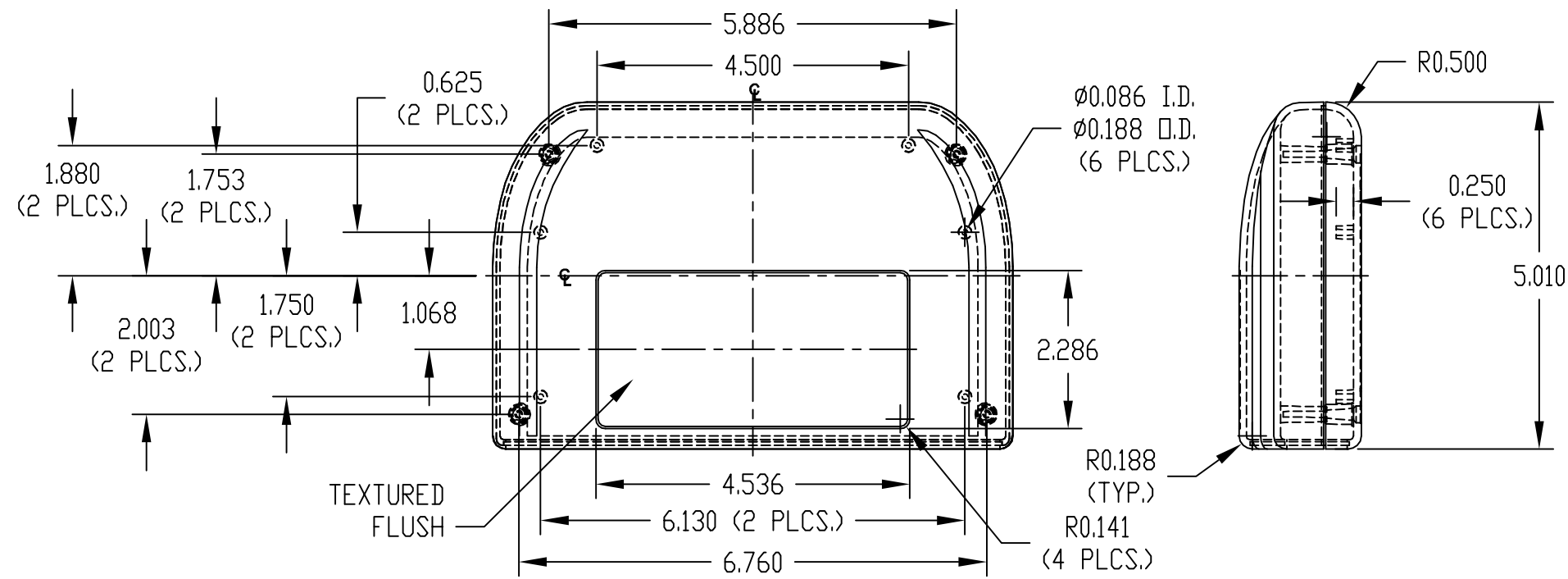
PLASTIBOX (STYLE 1)

PART No.

PT-11785

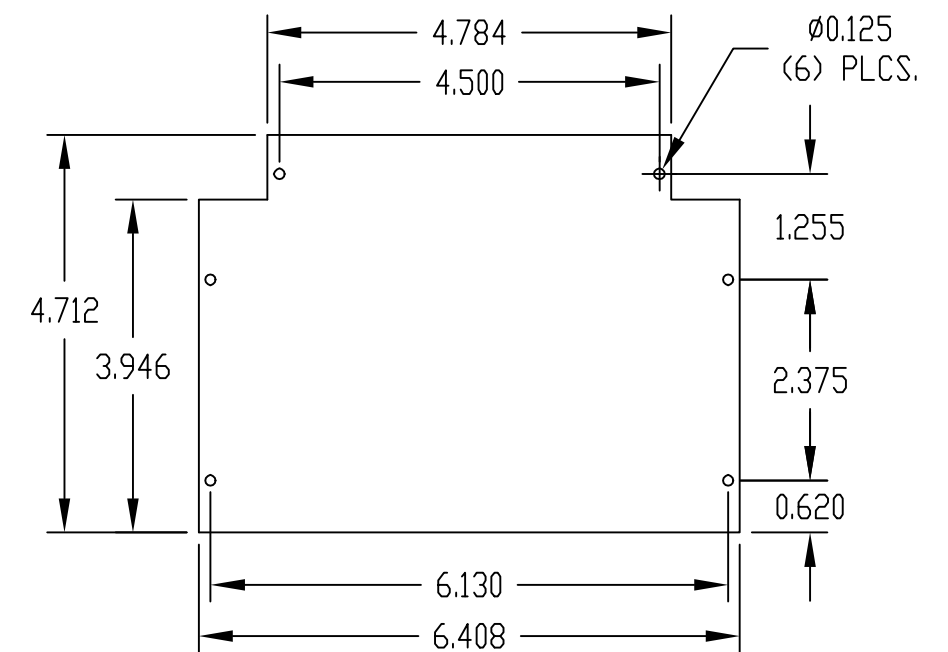
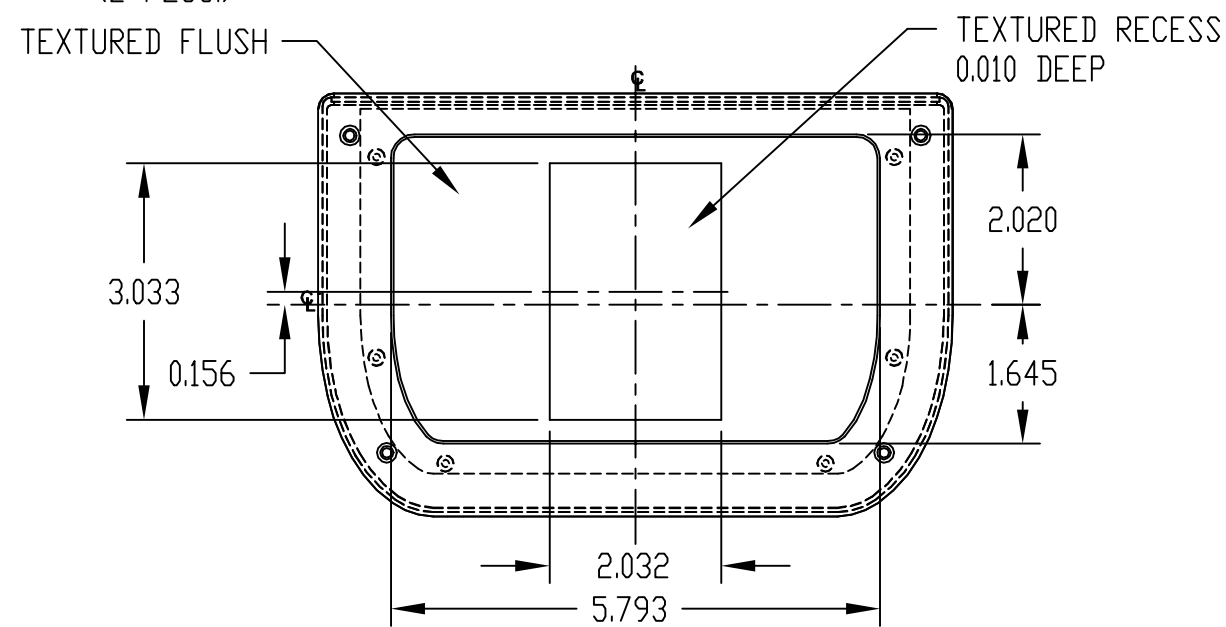
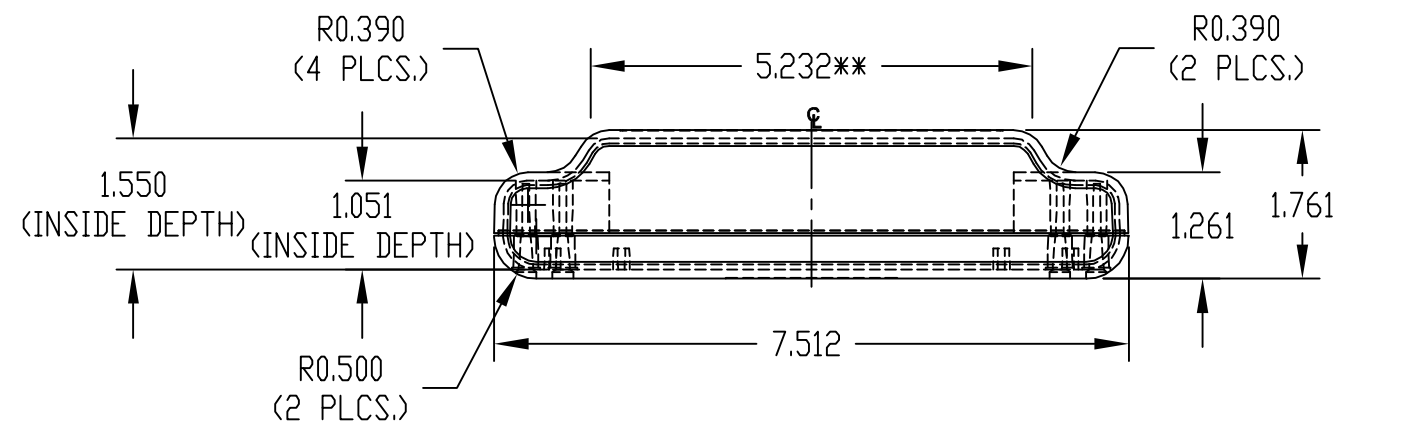
REV. DATE

10-4-11



NOTES:

- 1) PC BOARD BOSSES WILL ACCEPT A #4 X 1/4" THREAD FORMING SCREW
- 2) MATERIAL: ABS - UL94-5VA
- 3) FINISH: BLACK TEXTURE
- 4) DIMENSIONS ARE TO THEORETICAL SHARP CORNERS.
- 5) INCLUDES (4) #4-24 x 1.0 HI-LOW THREAD FORMING, CSK, OVAL HEAD, PHILLIPS DRIVE SCREWS FOR ATTACHING BODY TO COVER (MAX TORQUE 4.5 IN-LBS)



SUGGESTED PC BOARD LAYOUT