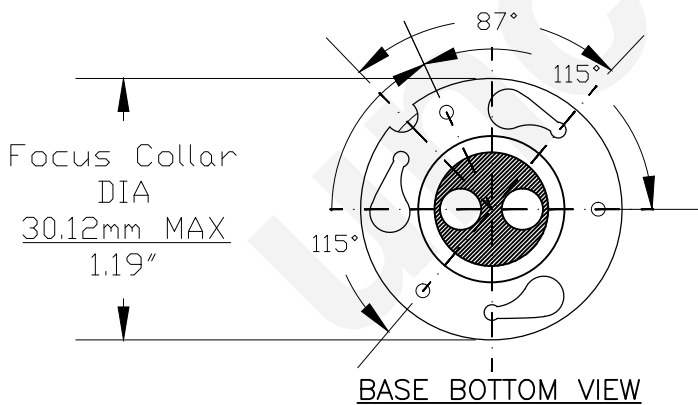
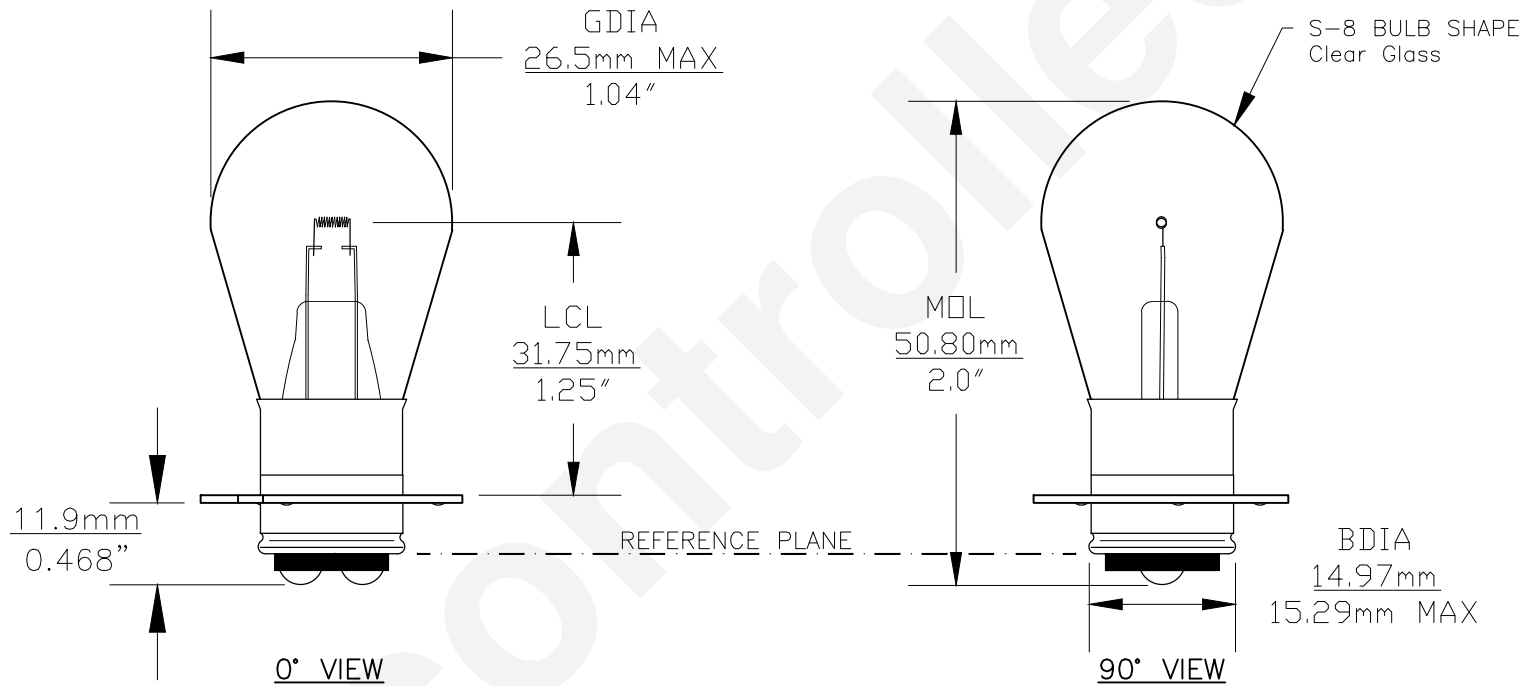




Since 1959

PART NO.	BASE TYPE	DESIGN VOLTS	DESIGN AMPS	MSCD	FILAMENT TYPE	AVERAGE LIFE HOURS	REVISIONS			
							REV #	DESCRIPTION	DATE	APPROVED
1631X	D.C. Prefocus A (P15d30A)	6.5V	2.75±15%	23±30%	C-6	100	1	ISSUED	11/06/2014	R.M.



Note: Made according to SAE specifications



UNLESS OTHERWISE SPECIFIED: DIMENSIONS ARE IN INCHES TOLERANCES		CEC INDUSTRIES LTD			
DECIMALS	ANGULAR	599 BOND STREET		LINCOLNSHIRE, IL 60069	
.XX ± .05	± 0.5°	TITLE LIGHT BULB NO. 1631X			
.XXX ± .010		SIZE A	FSCM NO.	DWG NO. 1631X	REV 1
FRACTIONAL ± 1/64		DESIGN	SCALE	PLOT SCALE	SHEET 1 OF 1
DRAWN ROSE MEDINA DATE 11/06/2014		MATERIAL		FILE 1631X.pdf	DRAWING NOT TO SCALE