

6

5

4

3

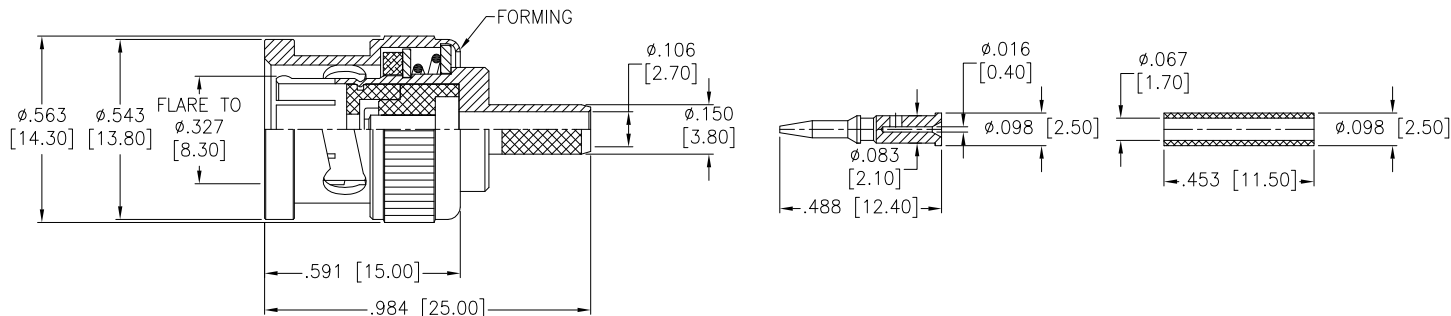
2

1

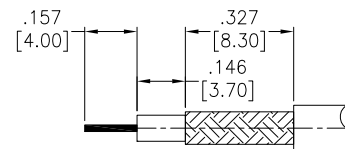
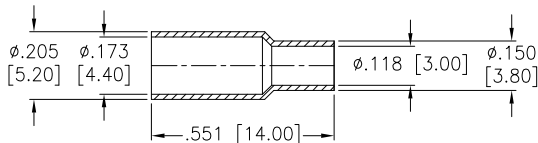
APPROVED: _____

DATE: _____ TITLE: _____

Rev	AWO #	Description	Date	Appr
-		RELEASED	10/15/08	
A		REDRAWN	3/10/16	AY/TW



FERRULE	COPPER ALLOY	NICKEL
SLEEVE	POM	NATURAL
CONTACT PIN	BRASS	GOLD
WASHER	IRON	NICKEL
SPRING	SK5	NICKEL
RETAINER RING	65 Mn	NICKEL
GASKET	RUBBER	RED
INSULATOR	POM	NATURAL
BODY	ZINC	NICKEL
SHELL	ZINC	NICKEL
DESCRIPTION	MATERIAL	FINISH



RECOMMENDED CABLE STRIPPING DIM'S

SPECIFICATIONS:

Electrical:
 Nominal Impedance: 75 ohms
 Frequency range: 0-1 GHz
 Working Voltage: 500 VRMS max.
 Dielectric Withstanding Voltage: 1500 VRMS min.
 Contact Resistance: 3 Milliohms max. (Center Contact)
 2 Milliohms max. (Outer Contact)
 Insulator Resistance: 5000 Megohms min.
 VSWR: 1.3 max.
 Environmental:
 Lead free, RoHS compliant.



UNLESS OTHERWISE SPECIFIED ALL DIMENSIONS ARE INCHES [MM] TOLERANCES: EXCEPT AS NOTED INCHES HOLES	
.X ± .10	Ø.X ± .10
.XX ± .020	Ø.XX ± .015
.XXX ± .015	Ø.XXX ± .010
APPROVALS	
DRAWN	DATE
SS	10/15/08
CHECKED	
APPROVED	

ADAM TECH

909 Rahway Avenue, Union, NJ 07083
 Phone: 908-687-5000 Fax: 908-687-5710

TITLE		BNC CONNECTOR, 75 OHMS, RG179U, 187U	
SIZE	PART NO.	REV.	
X	RF1-03-D-03-75	A	
REF: S00049T	SCALE: NTS	SHEET 1 OF 1	

6

5

4

3

2

1