

CTRL6050F Series

From 10 μ H to 1200 μ H



Not Shown at Actual Size

CHARACTERISTICS

- Description:** SMD Power Inductor.
- Applications:** Switching regulators, power amplifiers, power supplies, noise / EMI / RFI filtering.
- Operating Temperature:** -40°C to +85°C
- Inductance Tolerance:** $\pm 20\%$
- Testing:** Inductance is tested on an HP4285A at 1KHz, 1V.
- Packaging:** Tape & reel.
- Marking:** Parts are marked with inductance code.
- Miscellaneous:** **RoHS Compliant.**
- Additional Information:** Additional electrical & physical information available upon request.
- Samples available. See website for ordering information.**

SPECIFICATIONS

Parts are available in $\pm 20\%$ inductance tolerance only.

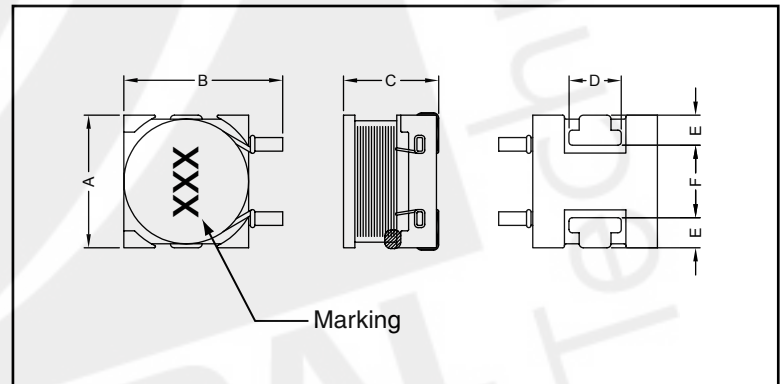
*I_{rms}: Temp. rise = 40°C Max.

**I_{sat}: $\Delta L/L_0 = 5\%$ Max.

Part Number	Inductance (μ H)	L Test Freq. (KHz)	DCR (Ω) Max.	*I _{rms} (A) Max.	**I _{sat} (A) Max.
CTRL6050F-100M	10	1.0	0.06	3.50	6.00
CTRL6050F-120M	12	1.0	0.07	3.40	5.60
CTRL6050F-150M	15	1.0	0.08	3.10	4.90
CTRL6050F-180M	18	1.0	0.09	3.00	4.30
CTRL6050F-220M	22	1.0	0.10	2.60	4.10
CTRL6050F-270M	27	1.0	0.11	2.40	3.60
CTRL6050F-330M	33	1.0	0.12	2.30	3.30
CTRL6050F-390M	39	1.0	0.14	2.10	3.00
CTRL6050F-470M	47	1.0	0.17	1.95	2.80
CTRL6050F-560M	56	1.0	0.19	1.85	2.50
CTRL6050F-680M	68	1.0	0.22	1.65	2.30
CTRL6050F-820M	82	1.0	0.25	1.50	2.00
CTRL6050F-101M	100	1.0	0.35	1.40	1.80
CTRL6050F-121M	120	1.0	0.40	1.30	1.70
CTRL6050F-151M	150	1.0	0.47	1.20	1.50
CTRL6050F-181M	180	1.0	0.63	1.00	1.40
CTRL6050F-221M	220	1.0	0.73	0.95	1.30
CTRL6050F-271M	270	1.0	0.97	0.90	1.20
CTRL6050F-331M	330	1.0	1.15	0.80	1.00
CTRL6050F-391M	390	1.0	1.30	0.75	0.96
CTRL6050F-471M	470	1.0	1.48	0.65	0.87
CTRL6050F-561M	560	1.0	1.90	0.60	0.80
CTRL6050F-681M	680	1.0	2.45	0.50	0.73
CTRL6050F-821M	820	1.0	2.55	0.48	0.66
CTRL6050F-102M	1000	1.0	3.00	0.46	0.60
CTRL6050F-122M	1200	1.0	3.50	0.35	0.54

PHYSICAL DIMENSIONS

Size	A Max.	B Max.	C Max.	D Ref.	E Ref.	F Ref.
mm	11.70	14.00	8.40	4.00	2.54	6.10
inches	0.460	0.551	0.330	0.157	0.100	0.240



PAD LAYOUT

