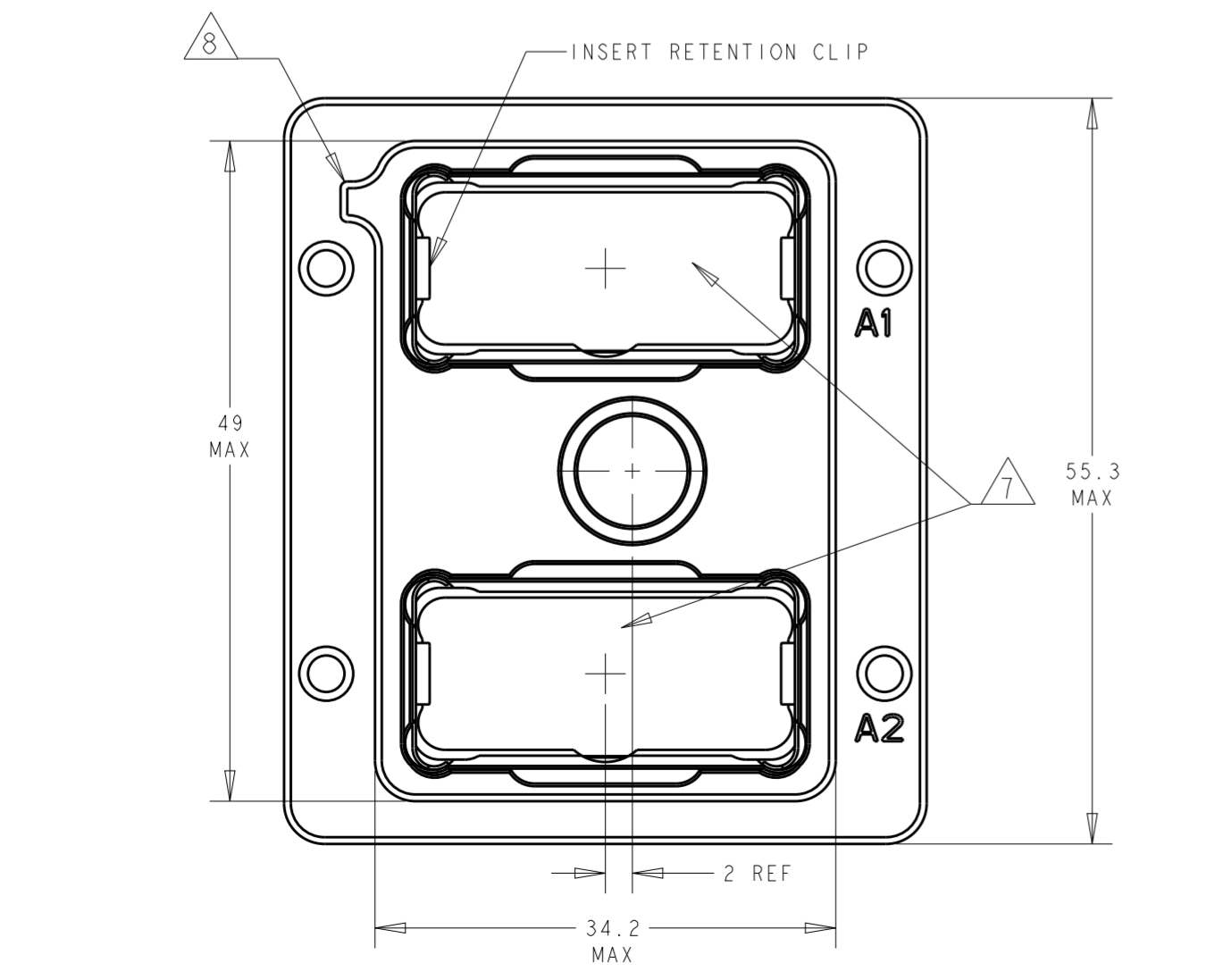
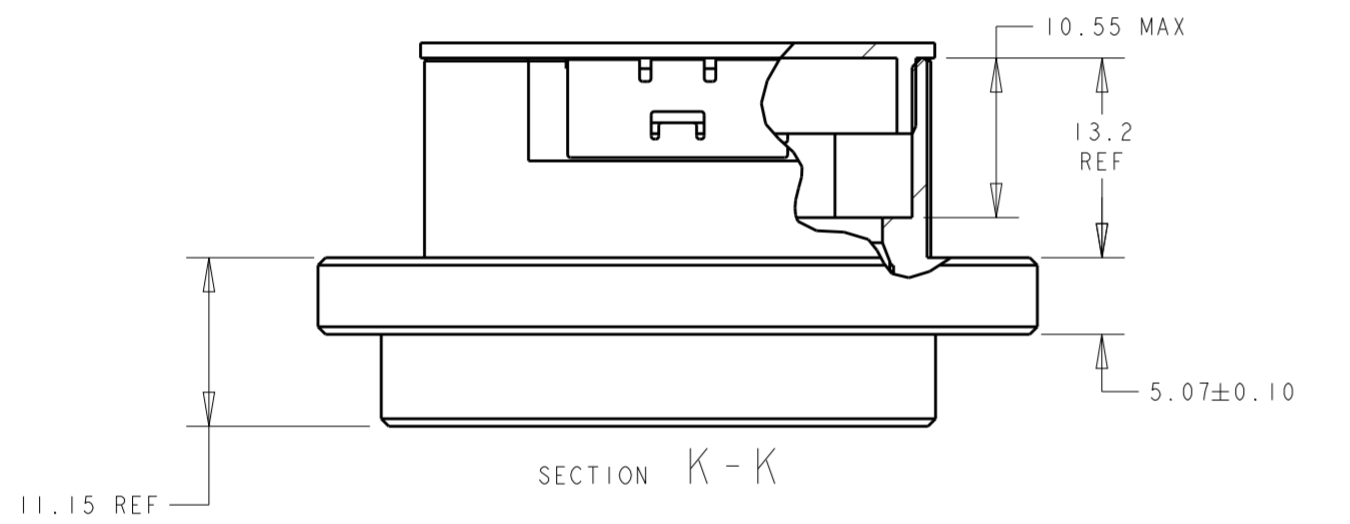
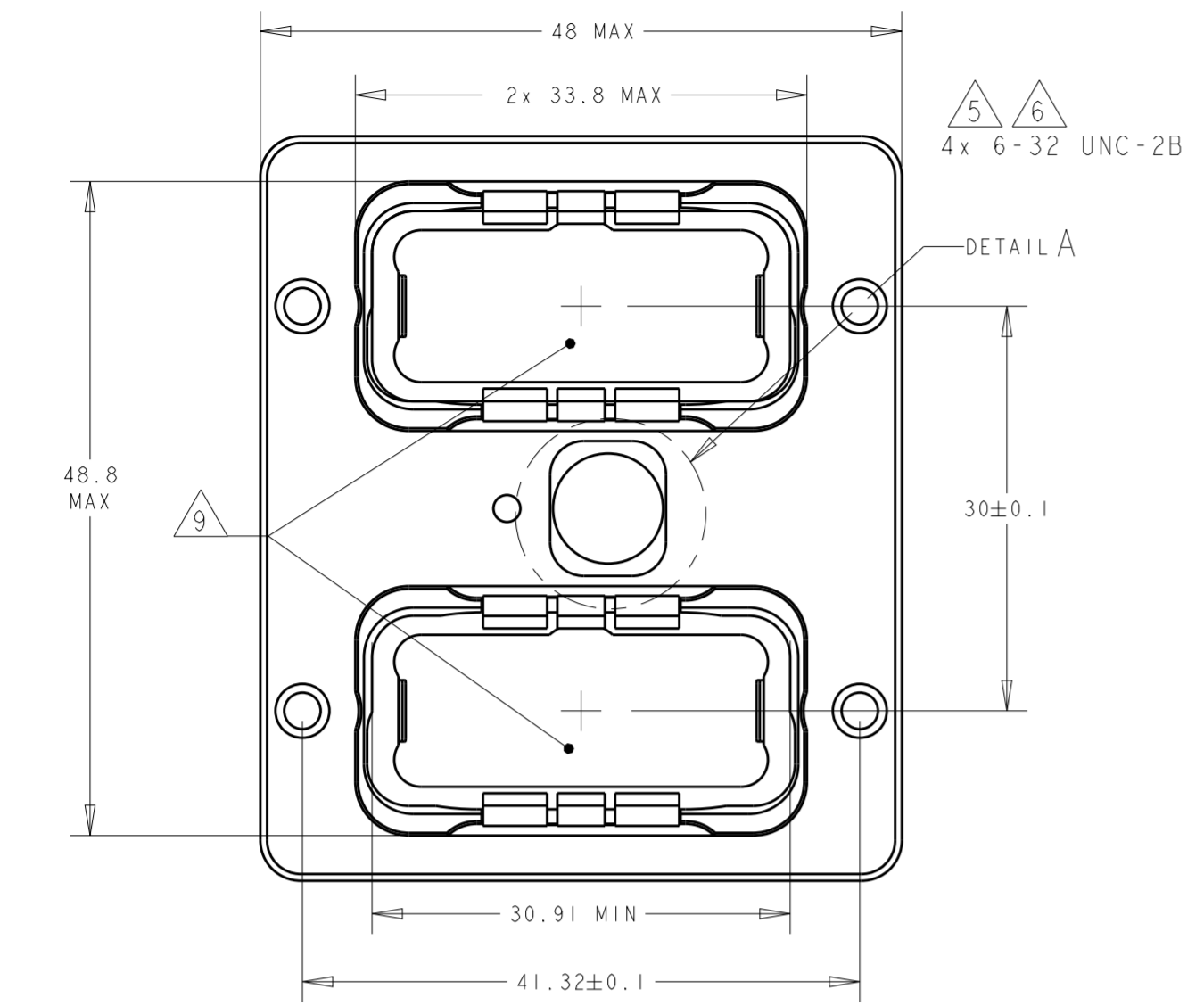
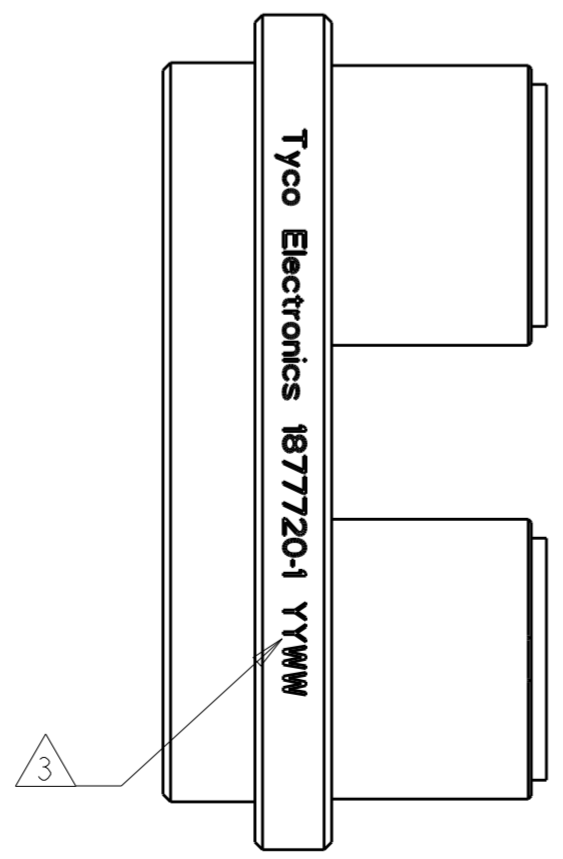
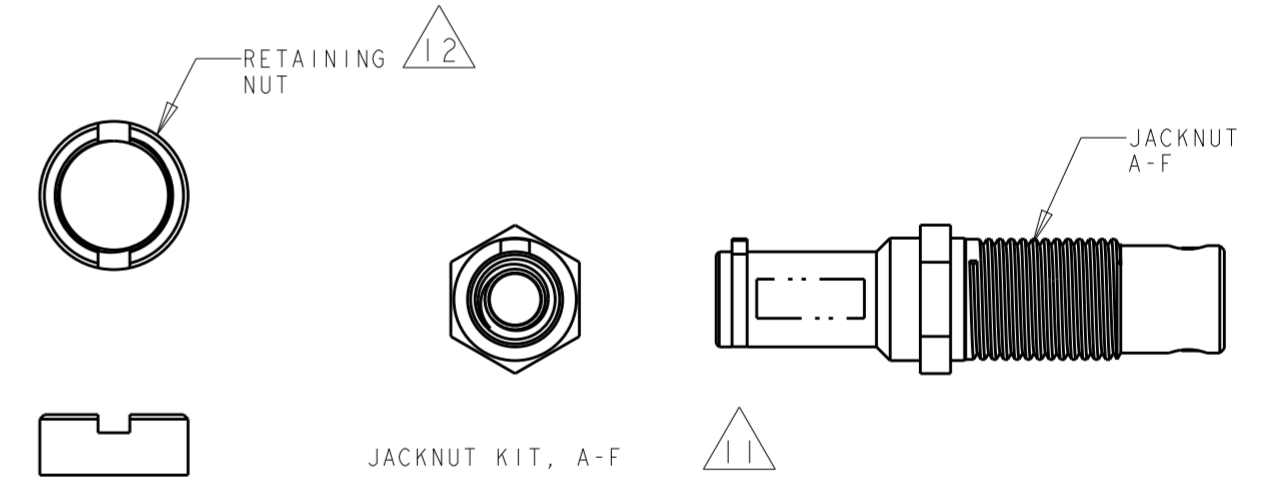
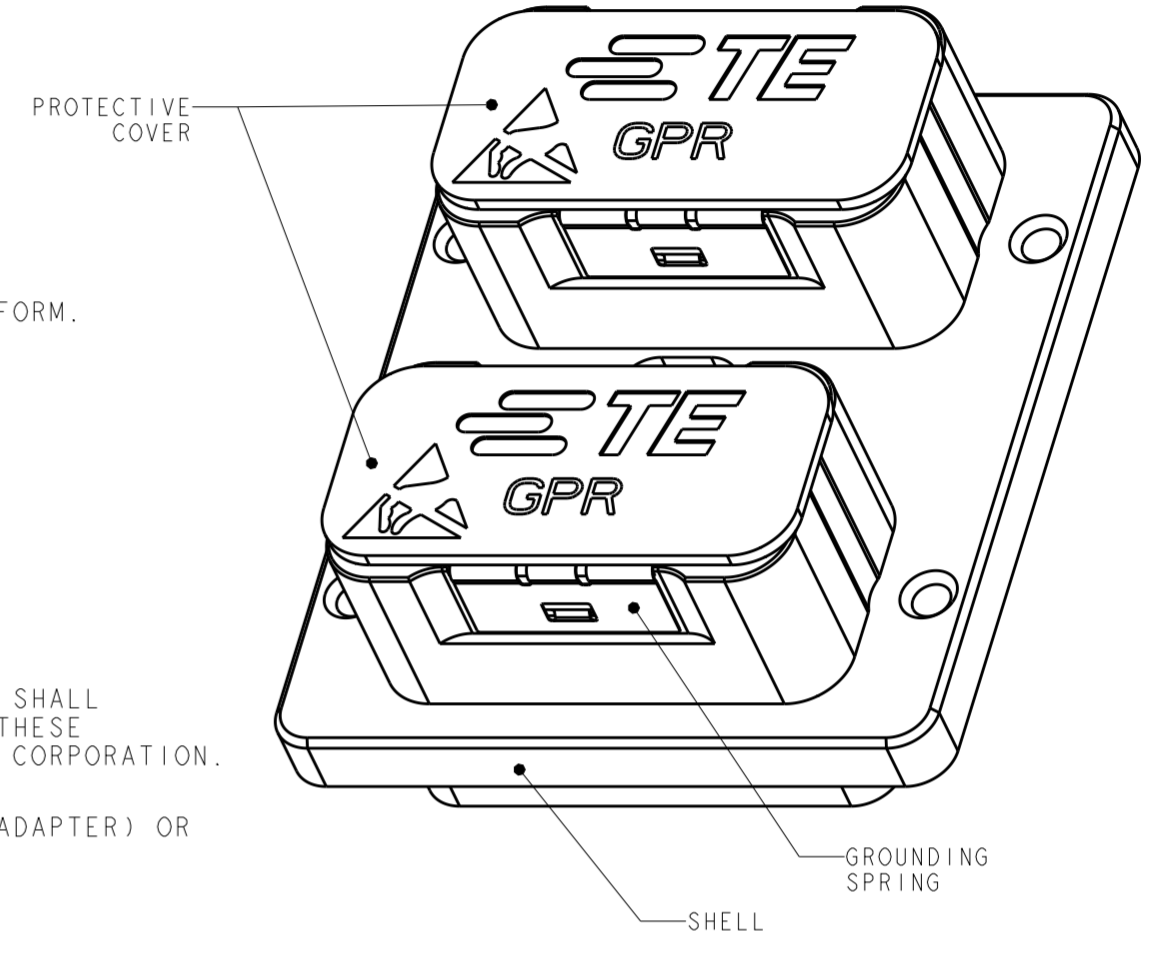


THIS DRAWING IS UNPUBLISHED. RELEASED FOR PUBLICATION 20
 © COPYRIGHT 20 BY - ALL RIGHTS RESERVED.

REVISIONS				
P	LTR	DESCRIPTION	DATE	APVD
D		REV PER ECO 17-008683	7-19-17	CT EO



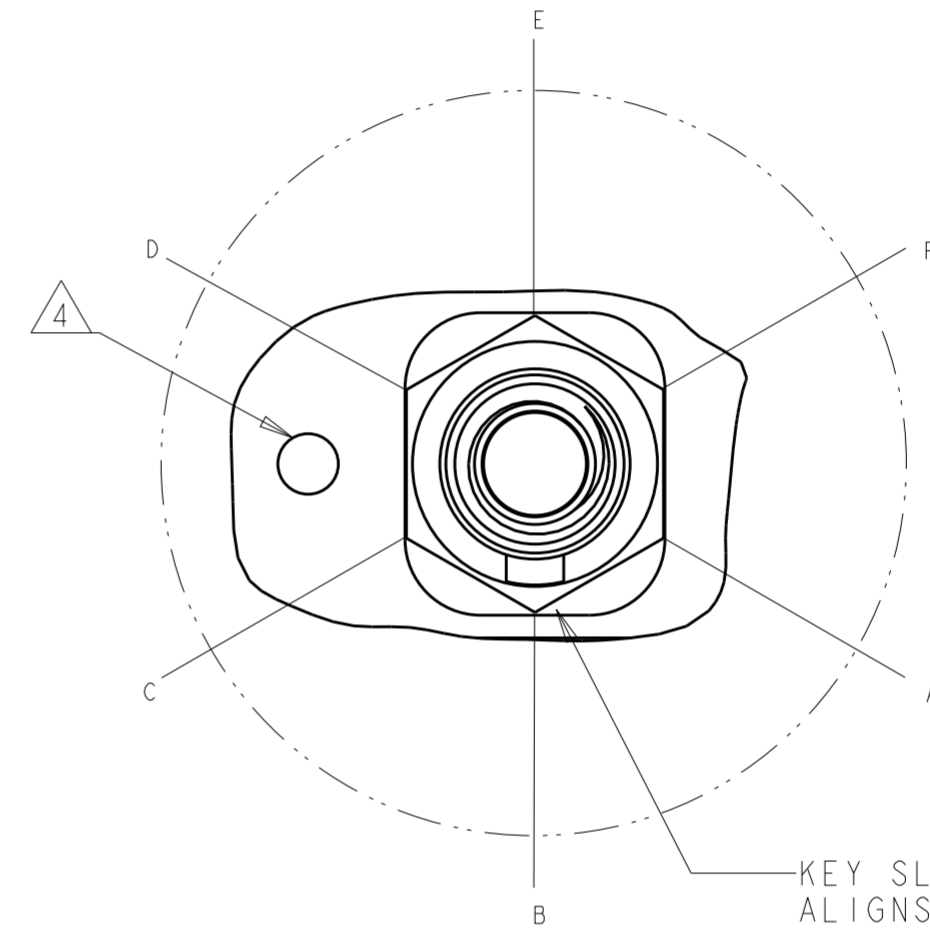
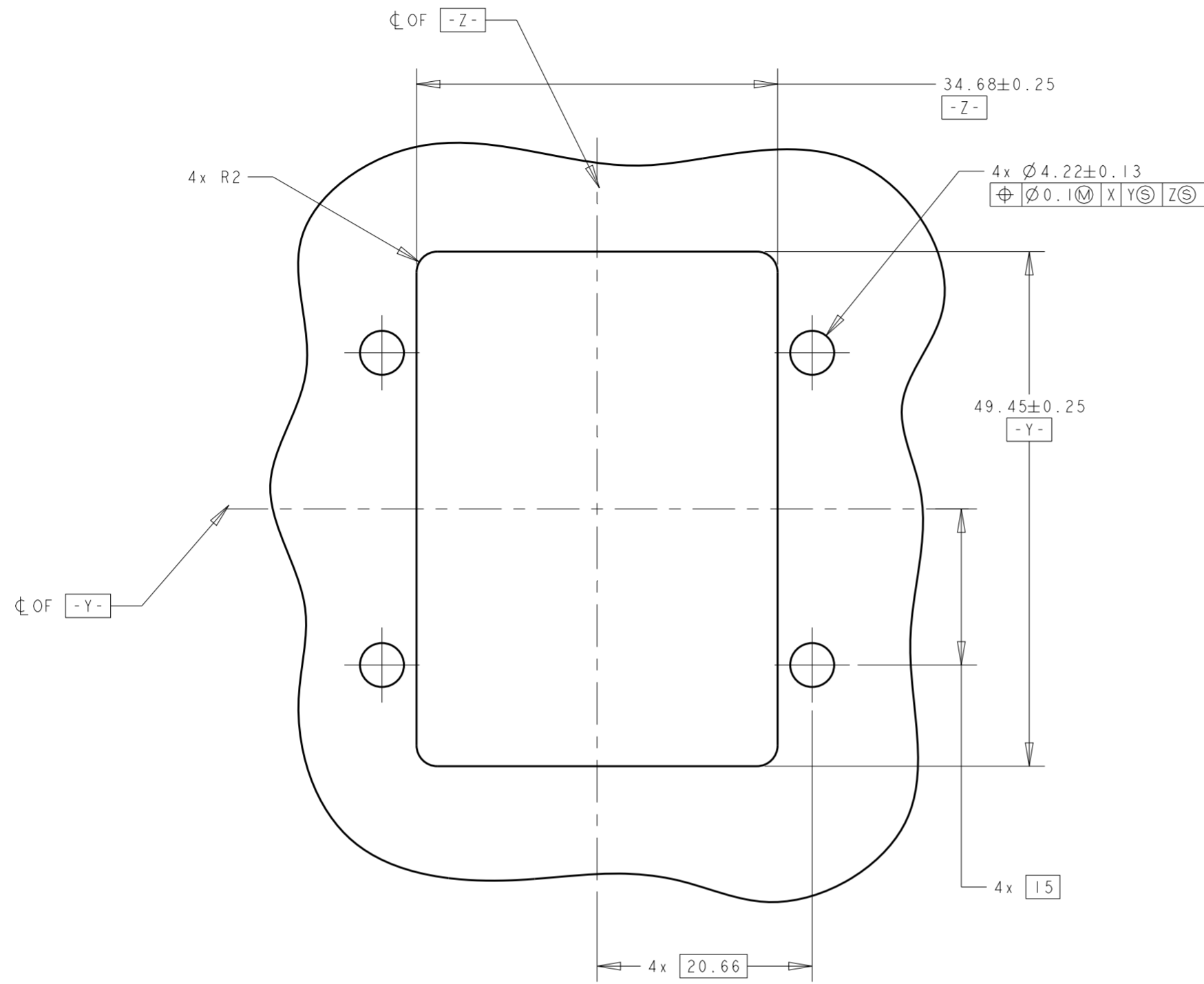
- 1 SHELL: ALUMINUM ALLOY 6061 T651
 INSERT RETENTION CLIP & GROUNDING SPRING: COPPER ALLOY PER ASTM B194
 JACKNUT & RETAINING NUT: STAINLESS STEEL PER AISI 316
 JACKNUT SPRING: STAINLESS STEEL PER AISI 302
 PROTECTIVE COVER: ANTI-STATIC THERMOPLASTIC ELASTOMER PER ASTM D5593, COLOR: BLACK.
- 2 SHELL: ELECTROLESS NICKEL PER SAE AMS-C-26074, CLASS 1
 GROUNDING SPRING: ELECTROLYTIC NICKEL PER SAE AMS-QQ-290
- 3 DATE CODE - YEAR & WEEK (YY WW).
- 4 INDEXING POINT FOR POLARIZATION.
- 5 6-32 SCREWS ARE REQUIRED FOR PANEL MOUNTING (NOT INCLUDED).
 SCREW HEAD DIAMETER: 8.5 MAX
 RECOMMENDED TORQUE 1.1 N·m [10 in-lb] MIN
- 6 6-32 THREADED HOLES ARE SELF-LOCKING, HAVING THE SPIRALOCK® THREAD FORM.
 SPIRALOCK® IS A REGISTERED TRADEMARK OF SPIRALOCK CORPORATION.
- 7 SHELL CAVITY FOR GPRB SERIES INSERTS WITH KEYING CODE A.
- 8 POLARIZATION FEATURE TO PREVENT FRONT PANEL MOUNTING.
- 9 PROTECTIVE COVER NOT SHOWN FOR CLARITY.
- 10 PANEL THICKNESS: 5 MAX
- 11 THE JACKNUT AND RETAINING NUT ARE SHIPPED UNASSEMBLED. THE CUSTOMER SHALL APPLY LOCTITE® PRODUCT 272 THREAD LOCKING ADHESIVE WHEN INSTALLING THESE ON THE SHELL ASSEMBLY. LOCTITE® IS A REGISTERED TRADEMARK OF HENKEL CORPORATION.
- 12 A SPANNER WRENCH TOOL, TYCO ELECTRONICS P/N 1738220-1 (WITH 1/4-IN ADAPTER) OR 1738221-1 (WITH T-HANDLE), IS USED TO LOCK THE RETAINING NUT.
 RECOMMENDED TORQUE: 1.5 N·m [13 in-lb].
- 13. PITCH FOR SIDE-BY-SIDE MOUNTING: 55.8mm MIN.
- 14. THIS PRODUCT IS SOLD BY TYCO ELECTRONICS UNDER A LICENSE FROM RADIAL SA.



THIS DRAWING IS A CONTROLLED DOCUMENT.		DWN BW	24MAY2005	TE Connectivity	
DIMENSIONS: mm		CHK JPM	24MAY2005		
TOLERANCES UNLESS OTHERWISE SPECIFIED:		APVD JPM	24MAY2005	NAME RECEPTACLE SHELL KIT, VERTICAL, REAR PANEL MOUNT, WITH A-F JACKNUT, GPRB2	
0 PLC ±0.2		PRODUCT SPEC		SIZE A2	
1 PLC ±0.2		APPLICATION SPEC		CAGE CODE -	
2 PLC ±0.2		WEIGHT		DRAWING NO C-1877720	
3 PLC ±		CUSTOMER DRAWING		RESTRICTED TO -	
4 PLC ±		SCALE 2:1		SHEET 1 OF 2	
ANGLES ±		REV D			
FINISH					

THIS DRAWING IS UNPUBLISHED. RELEASED FOR PUBLICATION 20
 © COPYRIGHT 20 BY - ALL RIGHTS RESERVED.

REVISIONS				
P	LTR	DESCRIPTION	DATE	APVD
-	-	SEE SHEET 1	-	-



DETAIL A - JACKNUT KIT ASSEMBLED
SCALE 4:1



THIS DRAWING IS A CONTROLLED DOCUMENT.		DWN BW	24MAY2005	TE Connectivity	
DIMENSIONS: mm		CHK JPM	24MAY2005		
TOLERANCES UNLESS OTHERWISE SPECIFIED:		APVD JPM	24MAY2005	NAME RECEPTACLE SHELL KIT, VERTICAL, REAR PANEL MOUNT, WITH A-F JACKNUT, GPRB2	
0 PLC	±0.2	PRODUCT SPEC		SIZE	CAGE CODE
1 PLC	±0.2	APPLICATION SPEC		A2	-
2 PLC	±0.2	WEIGHT		SCALE	DRAWING NO
3 PLC	±	CUSTOMER DRAWING		3:1	C-1877720
4 PLC	±	RESTRICTED TO		SHEET	2 OF 2
ANGLES	±	REV		2	D
FINISH	±	SCALE		3:1	SHEET
		SCALE		3:1	SHEET
		SHEET		2 OF 2	REV