

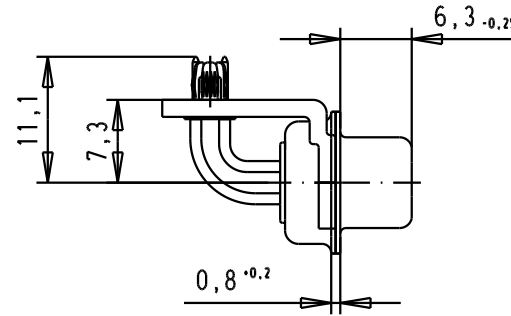
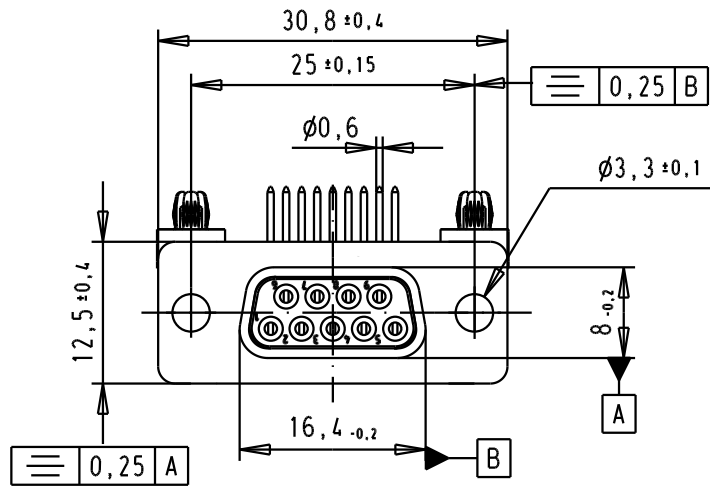
5

4

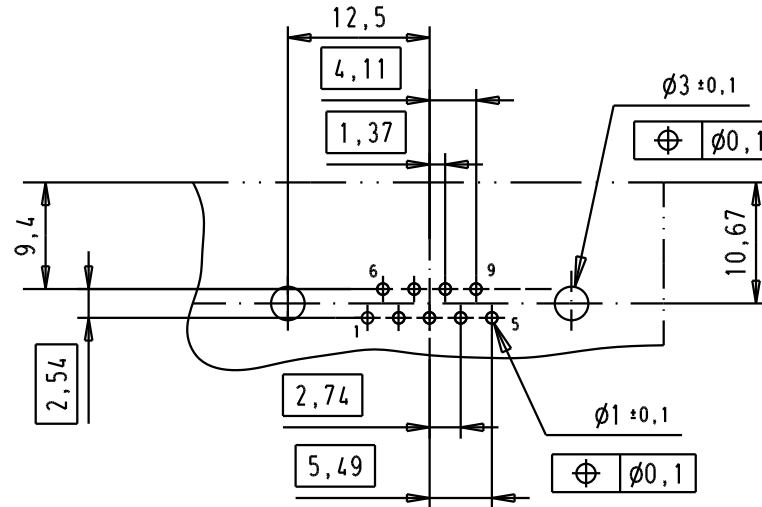
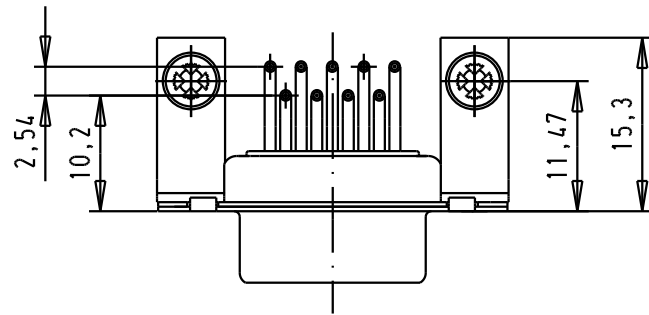
3

2

1



PCB Layout, Component side, thickness 1.6 mm



SPECIFICATION

Mating Cycles	500
Filter type	C
Capacitance	1000pf ± 20%
Working Voltage	100v
Current Rating	7.5A
Insulation Resistance	>1GΩ

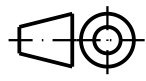

FREQUENCY (MHz)	ATTENUATION (dB)
5	1dB
10	3dB
50	12dB
100	20dB
500	34dB
1000	30dB

D

C

B

A

				Dat.	Name	 All Dim. in mm Orig. Size DIN A 4	D-Sub, female, angled, 9 Poles, solder pins, tin plated shell with brackets, board-locks and holes	Mo?MsLab/ Scale 1.5:1
			Detail.	8-JUL-02	CV			
			Insp.					
			Stand.					
33231	07/10/05	JMDR	HARTING EURL				TB 09641147231	Blat/ Page 1 / 1
31058	8-JUL-02	CV	F-95972 Paris					
Mod.	Dat.	Name	Sub.					