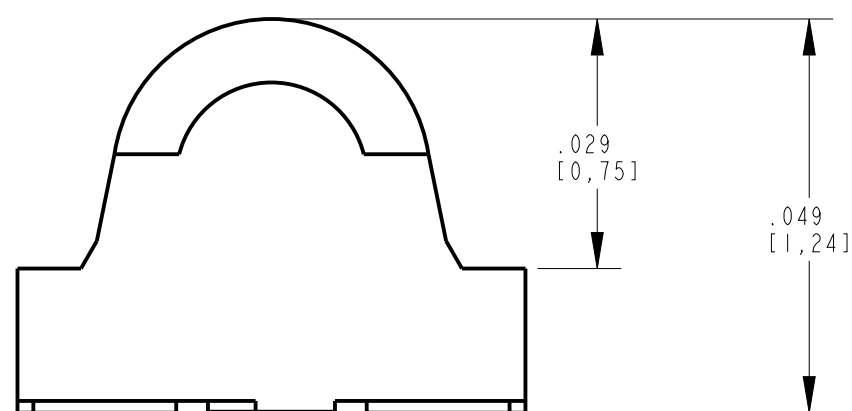
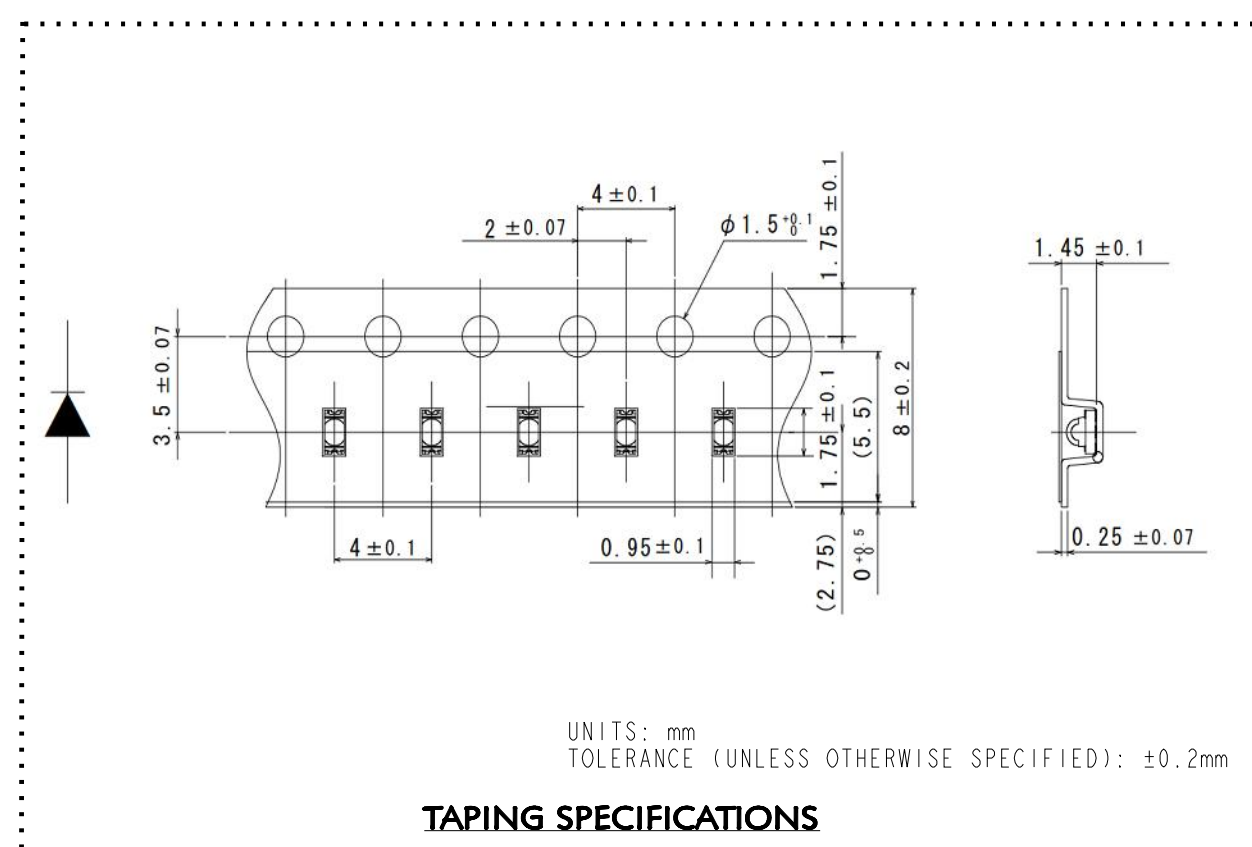
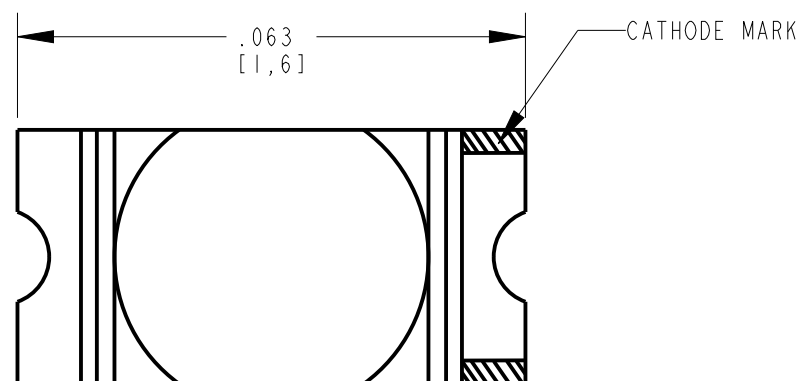
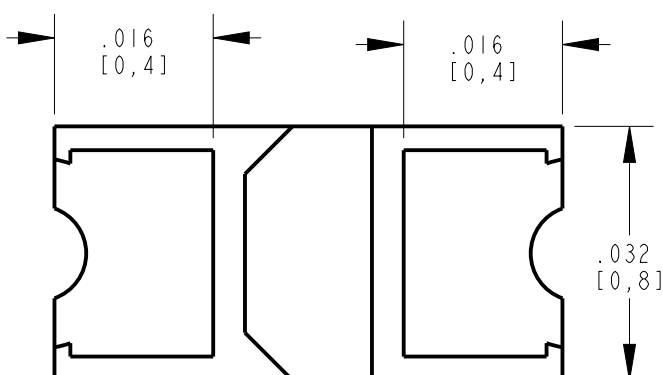
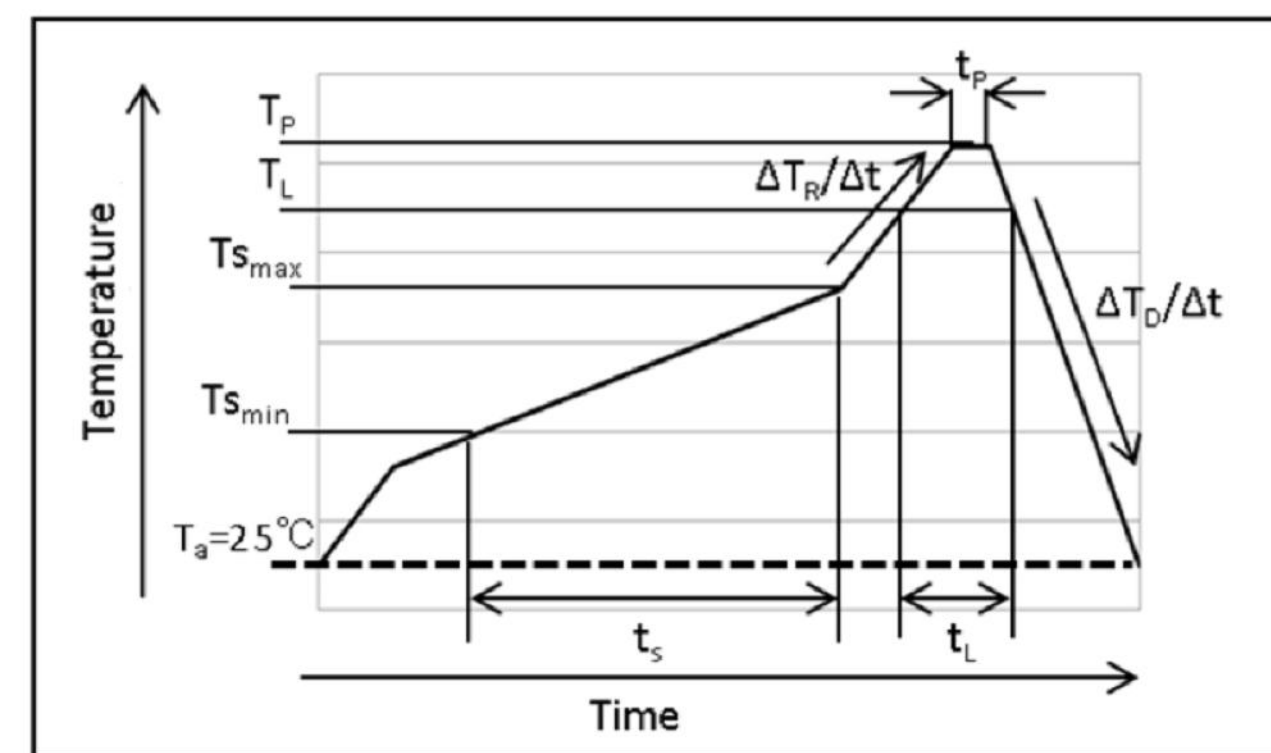


PART NUMBER	LED COLOR
597-3006-502F, 507F	RED (630nm)
597-3036-502F, 507F	RED (620nm)
597-3206-502F, 507F	ORANGE
597-3408-502F, 507F	YELLOW (590nm)
597-3409-502F, 507F	YELLOW (587nm)
597-3506-502F, 507F	YELLOW-GREEN
597-3316-502F, 507F	GREEN (560nm)

REV	REVISIONS	DRN	APP	DATE
A	NEW RELEASE	BP	NO	4-2-18
B	ADDED 60° VIEW ANGLE ON THE TITLE BOX	LD	NO	9-27-18
C	ADDED VIEWING ANGLE	LD	NO	7-24-19



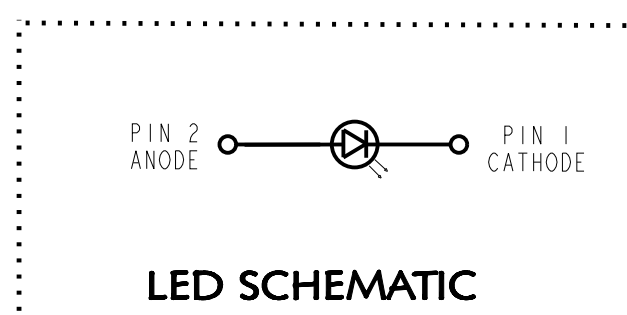
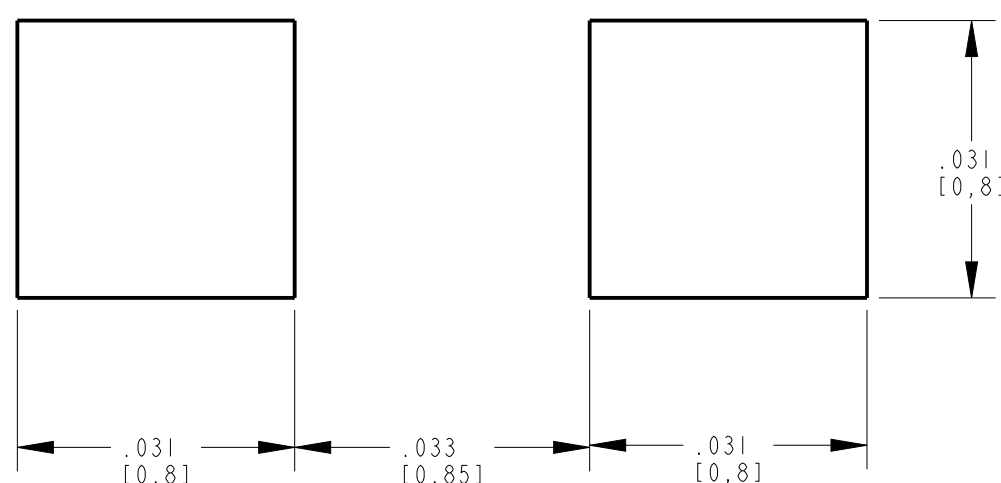
ABSOLUTE MAXIMUM RATINGS AT 25°C						
LED COLOR	POWER DISSIPATION (mW)	FORWARD CURRENT (mA)	PEAK FORWARD CURRENT (mA)	REVERSE VOLTAGE (V)	OPERATING TEMPERATURE (°C)	STORAGE TEMPERATURE (°C)
RED (630nm)	50	20	100	12	-40 TO +100	-40 TO +100
RED (620nm)						
ORANGE						
YELLOW (590nm)						
YELLOW (587nm)						
YELLOW-GREEN						
GREEN						



OPERATING CHARACTERISTICS AT 25°C										
LED COLOR	IF (mA)	LUMINOUS INTENSITY (mcd)			DOMINANT WAVELENGTH (nm)			REVERSE CURRENT (MAX)	FORWARD VOLTAGE (TYP.)	VIEWING ANGLE (degrees) (TYP.)
		MIN.	TYP.	MAX.	MIN.	TYP.	MAX.			
RED (630nm)	20	—	174	—	—	630	10 @ VR=12V	2 @ IF=20mA	60	
RED (620nm)		—	185	—	—	620				
ORANGE		—	405	—	—	605				
YELLOW (590nm)		—	320	—	—	590				
YELLOW (587nm)		—	290	—	—	587				
YLW GREEN		—	140	—	—	571				
GREEN	—	34	—	—	560					

MARK	MEANING	CONDITIONS
Ts_max	MAXIMUM OF PRE-HEATING TEMP.	180 °C
Ts_min	MINIMUM OF PRE-HEATING TEMP.	140 °C
ts	TIME FROM Tsmin TO Tsmax	OVER 60 sec.
TL	REFERENCE TEMP	230-260 °C
tL	RETENTION TIME FOR TL	WITHIN 40 sec.
TP	PEAK TEMP	260 °C (MAX)
tP	TIME FOR PEAK TEMP	WITHIN 10 sec.
ΔTR/Δt	TEMP. RISING RATE	UNDER 3°C/sec.
ΔTD/Δt	TEMP. DECREASING RATE	OVER -3°C/sec.

**RECOMMENDED R6HS SOLDER PROFILE**



**NOTES:**

- DIALIGHT P/N: 597-3XXX-50XF  
SUFFIX -502F FOR 20 PCS ON A SAMPLE TAPE STRIP  
SUFFIX -507F FOR 7" DIAMETER REEL, PACKAGED 2000 PCS PER REEL.
- LABELING FOR REEL AND OUTSIDE OF ALUMINUM FOIL BAG:  
DIALIGHT P/N, QUANTITY PER REEL, DATE CODE, INTENSITY BIN CODE, LOT NUMBER AND COUNTRY OF ORIGIN.
- TAPE AND REEL LEDS MAY REQUIRE RE-TAPING AFTER TWELVE MONTHS.
- ESD WITHSTAND VOLTAGE UP TO 6KV MAX ACC. TO JS-001-2014
- MSL 3

**RECOMMENDED SOLDER PAD LAYOUT**



**ATTENTION:**  
OBSERVE PRECAUTIONS FOR  
HANDLING ELECTROSTATIC  
SENSITIVE DEVICES

THIS DRAWING AND THE CONTENTS HEREIN ARE CONFIDENTIAL AND THE SOLE PROPERTY OF DIALIGHT CORP. REPRODUCTION OF THIS DRAWING OR CONSTRUCTION OF ANY PARTS WITHIN THIS DRAWING ARE FORBIDDEN WITHOUT THE WRITTEN CONSENT OF DIALIGHT CORP.		
DIALIGHT CORP. INTERNAL REFERENCE ONLY = 3D MODEL = 597506507F-0		
SCALE: 25.000	DRAWING NUMBER	REV
ALL DIM'S IN: INCHES (MM)	<b>C-18371</b>	<b>C</b>
TOLERANCES: UNLESS OTHERWISE SPECIFIED	TITLE	
FRACTIONS: ±1/64	SM LED 0603 PACKAGE, 60° VIEW ANGLE	
DECIMALS (.XX): ±.01	MATERIAL	
DECIMALS (.XXX): ±.005		
DECIMALS (.XXXX): ±.0005		
ANGLES: ±1°		
FINISH	Dialight	
FSCM 83330	1501 ROUTE 34 SOUTH FARMINGDALE, NJ 07727 (732) 919-3119 www.dialight.com	
SHEET 1 OF 1	FAMILY TABLE:	