

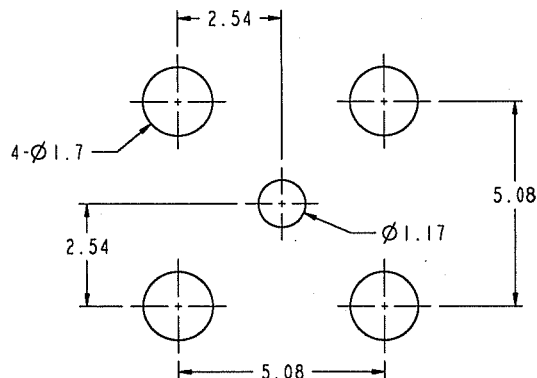
NOTES:

1. MATERIAL AND FINISH (PLATING THICKNESS IN MICRO-INCHES):  
 BODY - BRASS, GOLD PLATED  
 CONTACT - BRASS, GOLD PLATING  
 INSULATOR - TFE-FLUOROCARBON
2. ELECTRICAL:  
 A. IMPEDANCE: 50 OHM  
 B. FREQUENCY RANGE: DC 0 - 4 GHz  
 C. DIELECTRIC WITHSTANDING VOLTAGE: 1000 VRMS, MIN.
3. MECHANICAL:  
 A. DURABILITY: 500 CYCLES MIN.  
 B. TEMPERATURE RANGE: -65° C TO +165° C
4. PACKAGING:  
 A. QUANTITY: SINGLE PACK  
 B. MARKING: 903-420J-52P  
 AND DATE CODE & WORK ORDER NUMBER

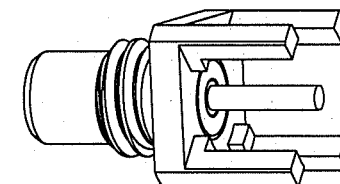
THIRD ANGLE PROJ.

REVISIONS

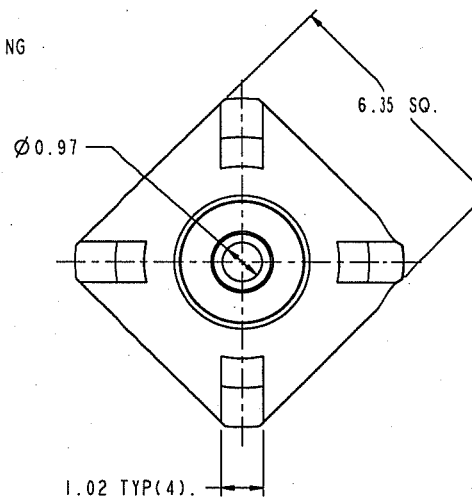
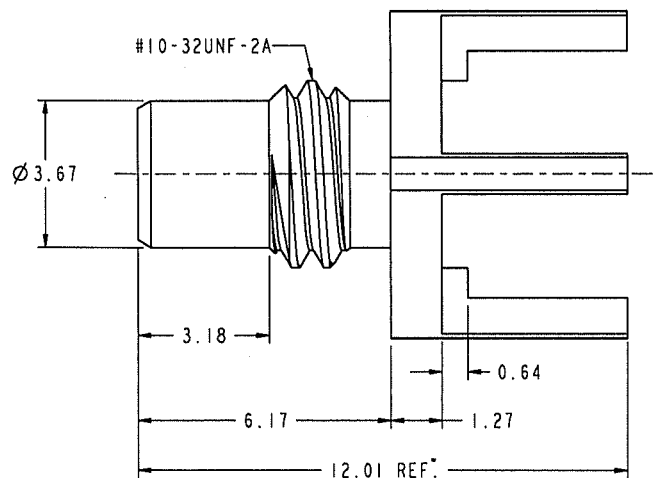
REV	DESCRIPTION	DATE	ECO	APPR
A	OFFICIAL ENG. RELEASE	5-Feb-93	39242	PB/
B	Ø 3.67±0.02 WAS Ø 3.68	26-Aug-05	45696	CPM
C	ITEM 1 & 3 PLATE WAS 'BA'	7-Sep-05	45718	CPM
D	TRANSFER TO ARFA ISSUE	14-Jan-08	--	



RECOMMENDED MOUNTING HOLE DIMENSIONS



SCALE 5.000



**CUSTOMER OUTLINE DRAWING**

ALL OTHER SHEETS ARE FOR INTERNAL USE ONLY

UNLESS OTHERWISE SPECIFIED, DIMENSIONS ARE IN METRIC AND TOLERANCES ARE: 0.5 - 6mm ±0.1mm    6 - 30mm ±0.2mm    30 - 120mm ±0.3mm    ANGLES ±1°	MATERIAL	DRAWN P. BRENZEL	DATE 4-Nov-92	TITLE SMC JACK PC MOUNT		Amphenol RF Danbury CT USA, Tainan, Taiwan, Shenzhen, China www.amphenolrf.com
	REFERENCE EAR 111-963495	ENGINEER RAV	DATE 3-Feb-93			
NOTICE - These drawings, specifications, or other data (1) are, and remain the property of Amphenol Corp. (2) must be returned upon request; and (3) are confidential and not to be disclosed to any person other than those to whom they are given by Amphenol Corp. The furnishing of these drawings, specifications, or other data by Amphenol Corp., or to any other person for any purpose is not to be regarded by implication or otherwise in any manner licensing, granting rights to permitting such holder or any other person to manufacture, use or sell any product, process or design, patented or otherwise, that may in any way be related to or disclosed by said drawings, specifications, or other data.	FINISH	CAD FILE 1:SMC/903-420J-52P	DWG SIZE B	CODE ID 74868	REV D	DRAWING NO. 903-420J-52P