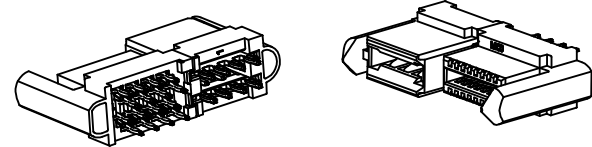
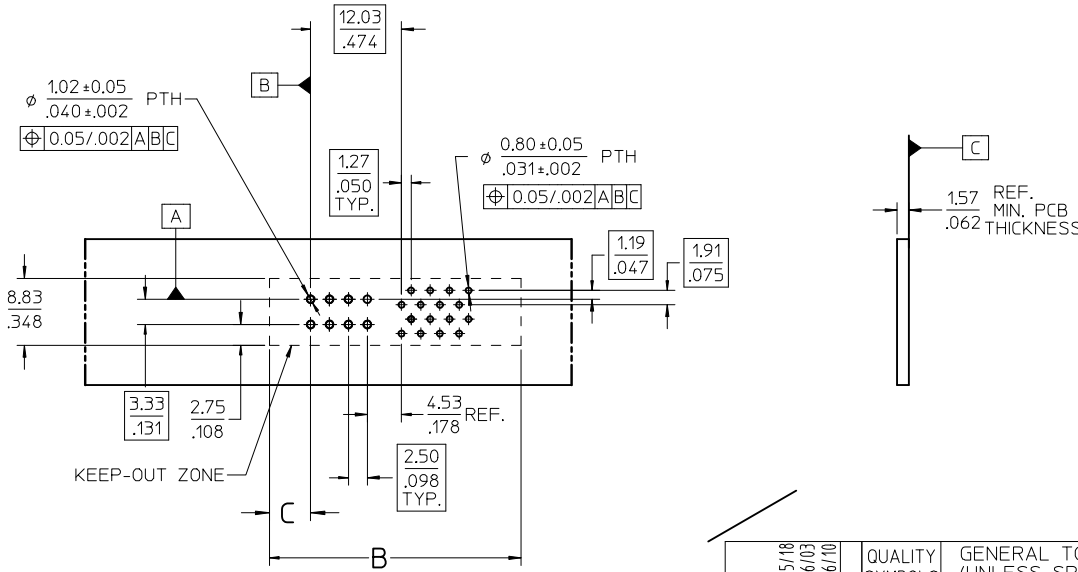


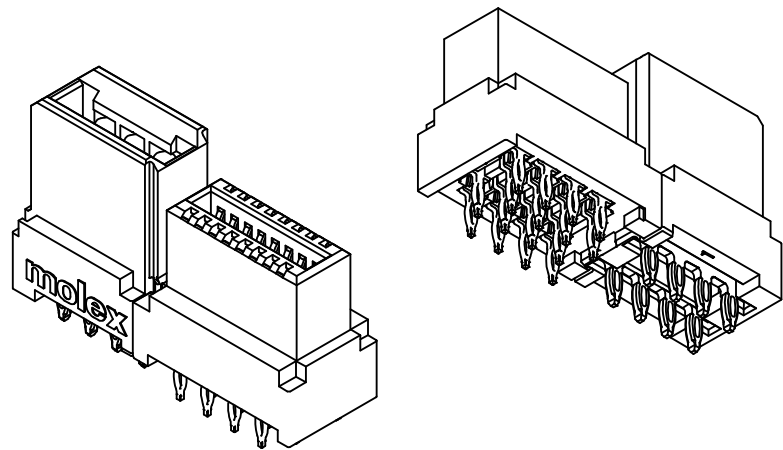
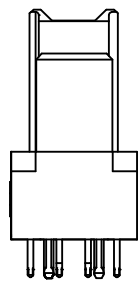
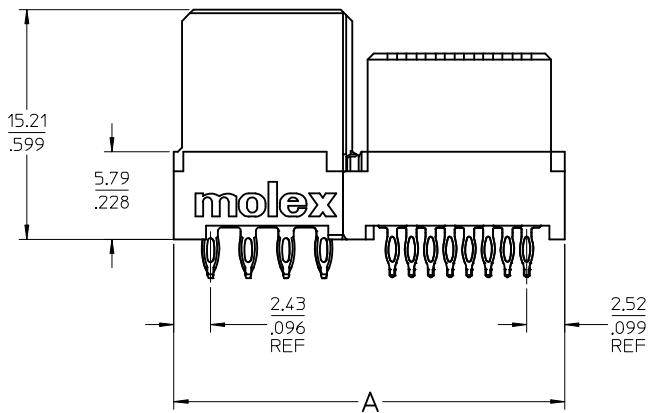
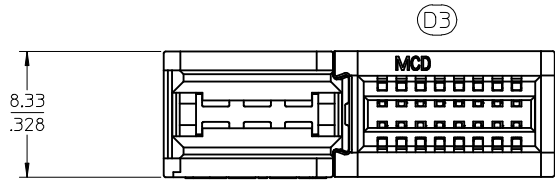
| NO OF SIGNALS | MATERIAL NUMBER | COMPLIANT PIN PLATING | DIM A       | DIM B       | DIM C     |
|---------------|-----------------|-----------------------|-------------|-------------|-----------|
| 12            | 46114-2120      | TIN                   | 29.01/1.142 | 29.51/1.162 | 5.45/.215 |
| 16            | 46114-2160      | TIN                   | 31.55/1.242 | 32.05/1.262 |           |
| 20            | 46114-2200      | TIN                   | 34.09/1.342 | 34.59/1.362 |           |
| 24            | 46114-2240      | TIN                   | 36.63/1.442 | 37.13/1.462 |           |
| 28            | 46114-2280      | TIN                   | 39.17/1.542 | 39.67/1.562 |           |
| 32            | 46114-2320      | TIN                   | 41.71/1.642 | 42.21/1.662 |           |
| 36            | 46114-2360      | TIN                   | 44.25/1.742 | 44.75/1.762 |           |
| 40            | 46114-2400      | TIN                   | 46.79/1.842 | 47.29/1.862 |           |

- NOTES:
- MATERIAL: HOUSING: LCP, 94-VO, COLOR: BLACK. POWER CONTACTS: COPPER ALLOY. SIGNAL CONTACTS: MODIFIED TIN BRASS.
  - FINISH: SELECT GOLD - 0.75  $\mu$ M/30  $\mu$  INCHES. SELECTED TIN - 2.50  $\mu$ M/100  $\mu$  INCHES. BOTH OVER NICKEL - 1.25  $\mu$ M/50  $\mu$  INCHES.
  - POWER TERMINALS ARE LUBRICATED IN CONTACT AREA.
  - PARTS ARE RoHS COMPLIANT.
  - MATES TO MOLEX P/N 45985-SERIES OR CARD EDGE 157/.062.
  - PRODUCT SPECIFICATION PS-46114-001.
  - PACKAGING: PER PK-46114-003.



MATERIAL # 46114-2160 SHOWN

| UPDATE LOGO<br>EC NO: S2016-1044<br>DRWNLIN06 2016/05/18<br>CHKD:JZENG 2016/06/03<br>APPR:KHLIM 2016/06/10<br>REV: D3 | QUALITY SYMBOLS | GENERAL TOLERANCES (UNLESS SPECIFIED)   | DIMENSION STYLE<br>MM/IN | SCALE<br>2:1  | DESIGN UNITS<br>METRIC | THIRD ANGLE PROJECTION |       |       |          |       |        |          |        |       |         |       |       |  |  |                    |  |
|---|-----------------|---|--------------------------|---|------------------------|------------------------|-------|-------|----------|-------|--------|----------|--------|-------|---------|-------|-------|--|--|--------------------|--|
|   |                 | <table border="1"> <tr> <th></th> <th>mm</th> <th>INCH</th> </tr> <tr> <td>4 PLACES</td> <td>± ---</td> <td>± ---</td> </tr> <tr> <td>3 PLACES</td> <td>± ---</td> <td>± .010</td> </tr> <tr> <td>2 PLACES</td> <td>± 0.25</td> <td>± ---</td> </tr> <tr> <td>1 PLACE</td> <td>± ---</td> <td>± ---</td> </tr> </table> |                          | mm  | INCH                   | 4 PLACES               | ± --- | ± --- | 3 PLACES | ± --- | ± .010 | 2 PLACES | ± 0.25 | ± --- | 1 PLACE | ± --- | ± --- | DRAWN BY: MKARADIMAS<br>DATE: 07/23/07<br>CHECKED BY: APATEL<br>DATE: 07/25/07<br>APPROVED BY: JCOMERC I<br>DATE: 2009/12/03 | TITLE<br>LPH VERTICAL RECEPTACLE ASSEMBLY 2 CIRCUIT PWR CONNECTOR, PRESS FIT | MOLEX INCORPORATED |  |
|   |                 | mm  | INCH                     |   |                        |                        |       |       |          |       |        |          |        |       |         |       |       |  |  |                    |  |
|   | 4 PLACES        | ± ---   | ± ---                    |   |                        |                        |       |       |          |       |        |          |        |       |         |       |       |  |  |                    |  |
| 3 PLACES  | ± ---           | ± .010  |                          |   |                        |                        |       |       |          |       |        |          |        |       |         |       |       |  |  |                    |  |
| 2 PLACES  | ± 0.25          | ± ---   |                          |   |                        |                        |       |       |          |       |        |          |        |       |         |       |       |  |  |                    |  |
| 1 PLACE   | ± ---           | ± ---   |                          |   |                        |                        |       |       |          |       |        |          |        |       |         |       |       |  |  |                    |  |
|   | ANGULAR ±1/2°   | DRAFT WHERE APPLICABLE MUST REMAIN WITHIN DIMENSIONS  | SEE CHART                | DOCUMENT NO.<br>SD-46114-200  | SHEET NO.<br>1 OF 3    |                        |       |       |          |       |        |          |        |       |         |       |       |  |  |                    |  |
|   |                 |   | SIZE C                   | THIS DRAWING CONTAINS INFORMATION THAT IS PROPRIETARY TO MOLEX INCORPORATED AND SHOULD NOT BE USED WITHOUT WRITTEN PERMISSION |                        |                        |       |       |          |       |        |          |        |       |         |       |       |  |  |                    |  |

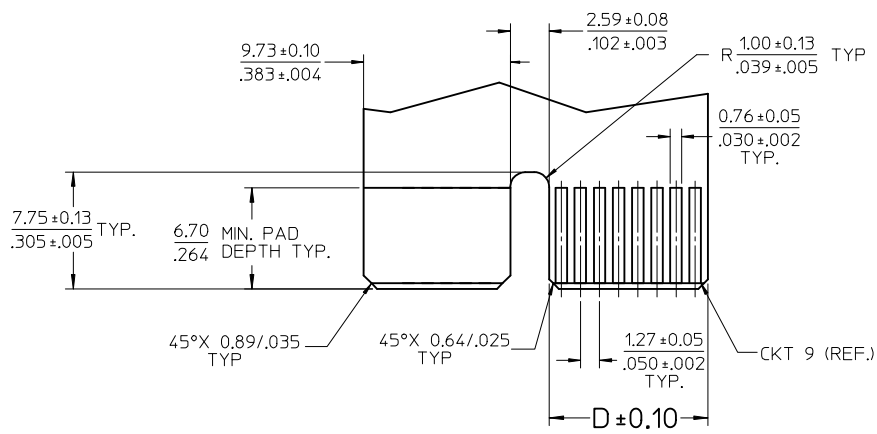
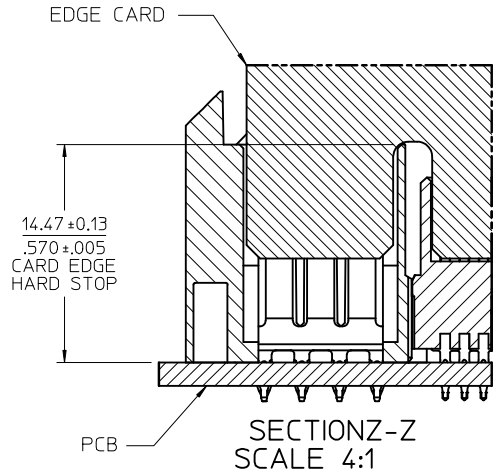
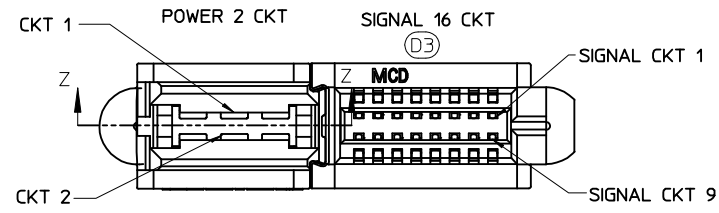


MATERIAL # 46114-2161 SHOWN

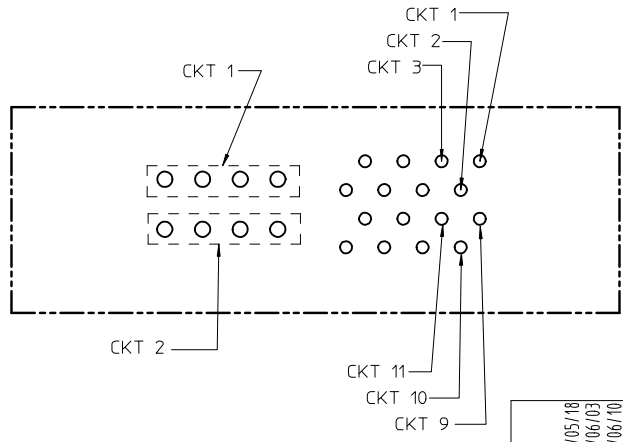
| NO OF SIGNALS | MATERIAL NUMBER | COMPLIANT PIN PLATING | DIM A       | DIM B       | DIM C     |
|---------------|-----------------|-----------------------|-------------|-------------|-----------|
| 12            | 46114-2121      | TIN                   | 23.34/.919  | 23.88/.940  | 2.69/.106 |
| 16            | 46114-2161      | TIN                   | 25.88/1.019 | 26.42/1.040 |           |
| 20            | 46114-2201      | TIN                   | 28.42/1.119 | 28.96/1.140 |           |
| 24            | 46114-2241      | TIN                   | 30.96/1.219 | 31.50/1.240 |           |
| 28            | 46114-2281      | TIN                   | 33.50/1.319 | 34.04/1.340 |           |
| 32            | 46114-2321      | TIN                   | 36.04/1.419 | 36.58/1.440 |           |
| 36            | 46114-2361      | TIN                   | 38.58/1.519 | 39.12/1.540 |           |
| 40            | 46114-2401      | TIN                   | 41.12/1.619 | 41.66/1.640 |           |

|   |                   |                 |  |  |   |                        |                        |
|---|-------------------|-----------------|--|--|---|------------------------|------------------------|
| UPDATE LOGO<br>EC NO: S2016-10044<br>DRWNLIN06 2016/05/18<br>CHKD:JZENG 2016/06/03<br>APPR:KHLIM 2016/06/10 | DESCRIPTION<br>D3 | QUALITY SYMBOLS | GENERAL TOLERANCES (UNLESS SPECIFIED)  | DIMENSION STYLE<br>MM/IN   | SCALE<br>2:1  | DESIGN UNITS<br>METRIC | THIRD ANGLE PROJECTION |
|   |                   |                 | mm INCH<br>4 PLACES ± --- ± ---<br>3 PLACES ± --- ± .010<br>2 PLACES ± 0.25 ± ---<br>1 PLACE ± --- ± --- | DRAWN BY MKARADIMAS DATE 07/23/07<br>CHECKED BY APATEL DATE 07/25/07<br>APPROVED BY JCOMERCI DATE 2009/12/03 | TITLE<br>LPH VERTICAL RECEPTACLE ASSEMBLY 2 CIRCUIT PWR CONNECTOR, PRESS FIT  |                        |                        |
|   |                   |                 | ANGULAR ±1/2°  | MATERIAL NO.   | MOLEX INCORPORATED  |                        |                        |
|   |                   |                 | DRAFT WHERE APPLICABLE MUST REMAIN WITHIN DIMENSIONS   | SEE CHART  | DOCUMENT NO.  | SD-46114-200           |                        |
|   |                   |                 |  | SIZE   | THIS DRAWING CONTAINS INFORMATION THAT IS PROPRIETARY TO MOLEX INCORPORATED AND SHOULD NOT BE USED WITHOUT WRITTEN PERMISSION |                        |                        |

| NO OF SIGNAL | DIM. D      |
|--------------|-------------|
| 12           | 8.00/.315   |
| 16           | 10.54/.415  |
| 20           | 13.08/.515  |
| 24           | 15.62/.615  |
| 28           | 18.16/.715  |
| 32           | 20.70/.815  |
| 36           | 23.24/.915  |
| 40           | 25.78/1.015 |



RECOMMENDED EDGE CARD LAYOUT  
 EDGE CARD THICKNESS: 1.57/.062 ± 0.15/.006  
 PLATING: GOLD 30 μ INCHES MIN.  
 OVER 150 μ INCHES NICKEL.



PCB LAYOUT: COMPONENT SIDE  
 SEE SHT 1 FOR DIMENSIONS.

|   |  |  |                       |                          |                     |              |                        |                          |                    |  |  |
|---|--|--|-----------------------|--------------------------|---------------------|--------------|------------------------|--------------------------|--------------------|--|--|
| UPDATE LOGO<br>IEC NO: S2006/04/15<br>DRWN: ALI06<br>CHKD: JZENG<br>APPR: KHLIM<br>2016/05/18<br>2016/06/03<br>2016/06/10 | DESCRIPTION<br>LPH VERTICAL RECEPTACLE ASSEMBLY 2 CIRCUIT PWR CONNECTOR, PRESS FIT | GENERAL TOLERANCES (UNLESS SPECIFIED)                |                       | DIMENSION STYLE<br>MM/IN |                     | SCALE<br>4:1 | DESIGN UNITS<br>METRIC | THIRD ANGLE PROJECTION   |                    |  |  |
|   |  | 4 PLACES ± --- ± ---                                 | 3 PLACES ± --- ± .010 | 2 PLACES ± .25 ± ---     | 1 PLACE ± --- ± --- | mm           | INCH                   | DRAWN BY<br>MKARADIMAS   | DATE<br>07/23/07   | TITLE<br>LPH VERTICAL RECEPTACLE ASSEMBLY 2 CIRCUIT PWR CONNECTOR, PRESS FIT |  |
|   |  | ANGULAR ± 1/2°                                       |                       |                          |                     | SEE CHART    |                        | APPROVED BY<br>JCOMERC I | DATE<br>2009/12/03 | MATERIAL NO.<br>DOCUMENT NO.<br>SD-46114-200                                 |  |
|   |  | DRAFT WHERE APPLICABLE MUST REMAIN WITHIN DIMENSIONS |                       |                          |                     | SIZE<br>C    |                        | SHEET NO.<br>3 OF 3      |                    |  |  |