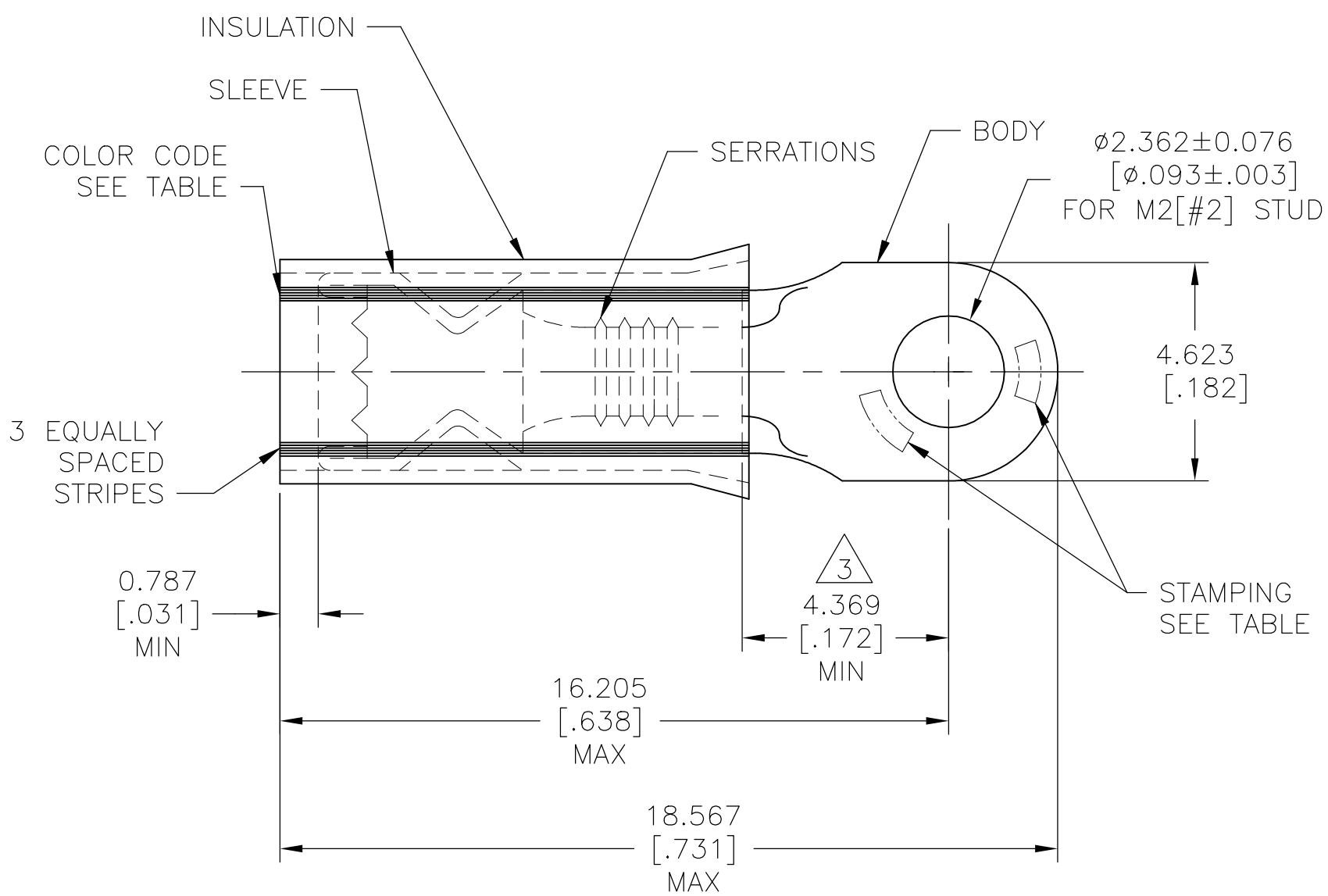


REVISIONS					
P	LTR	DESCRIPTION	DATE	DWN	APVD
	D	REVISED PER ECO-14-015277	14FEB2015	NK	DR
	D1	REVISED PER ECO-17-008114	31MAY2018	RS	DR



- 1 BODY MATERIAL THK IS 0.787 ± 0.051 [.031 ± .002]
- 2 FOR WIRE INS. DIA SEE TABLE
- 3 APPLIES FROM EDGE OF METAL WIRE BARREL TO CENTER OF STUD HOLE
- 4 MATERIAL:
 BODY & SLEEVE: COPPER PER ASTM PER B152
 INSULATION: NYLON PER ASTM D4066 TYPE 1
- 5 FINISH:
 BODY & SLEEVE: TIN PLATE PER ASTM B545
 INSULATION: COLOR - RED

GREEN	0.965-2.794 [.038-.110]	22*	22	1000	LOOSE PIECE	52307
COLOR CODE	INS. DIA.	WIRE STAMPING	WIRE SIZE	QTY	PACKAGE TYPE	PART NO

AMP INCORPORATED CUSTOMER SERVICE SYSTEMS		MAX RECOMMENDED OPERATING TEMPERATURE: 105°C [221°F]
FOR ADDITIONAL PRODUCT INFORMATION OR COPIES OF DRAWINGS AND TECHNICAL DOCUMENTS	PRODUCT INFORMATION CENTER 1-800-522-6752	VOLTAGE RATING: 300 V MAX
FOR APPLICATION TOOLING INFORMATION	TOOLING ASSISTANCE CENTER 1-800-722-1111	WIRE CROSS SECTIONAL AREA RANGE, 0.38mm ² [754] CIR MILS STRANDED
FOR ORDER ENTRY	1-800-526-5142	

THIS DRAWING IS A CONTROLLED DOCUMENT.	
DIMENSIONS: mm [INCHES]	TOLERANCES UNLESS OTHERWISE SPECIFIED:
	0 PLC ± -
	1 PLC ± -
	2 PLC ± -
	3 PLC ± 0.127[.005]
	4 PLC ± -
	5 PLC ± 5°
MATERIAL	FINISH
4	5

DWN jr_ruth 21FEB07	TE Connectivity Ltd.	
CHK T MICHELUTTI 21FEB07	WIRE TERMINAL, P.I.D.G., RING TONGUE & INSULATION RESTRICTION WIRE SIZE 22 & 20 AWG	
APVD T MICHELUTTI 21FEB07	NAME	RESTRICTED TO
PRODUCT SPEC	SIZE	RESTRICTED TO
APPLICATION SPEC	CAGE CODE	RESTRICTED TO
114-2157	00779	RESTRICTED TO
WEIGHT	DRAWING NO	RESTRICTED TO
CUSTOMER DRAWING	C-52307	RESTRICTED TO
SCALE 8:1	SHEET 1 OF 1	REV D1