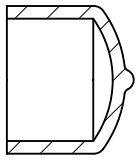
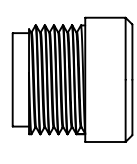
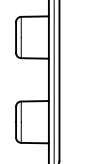
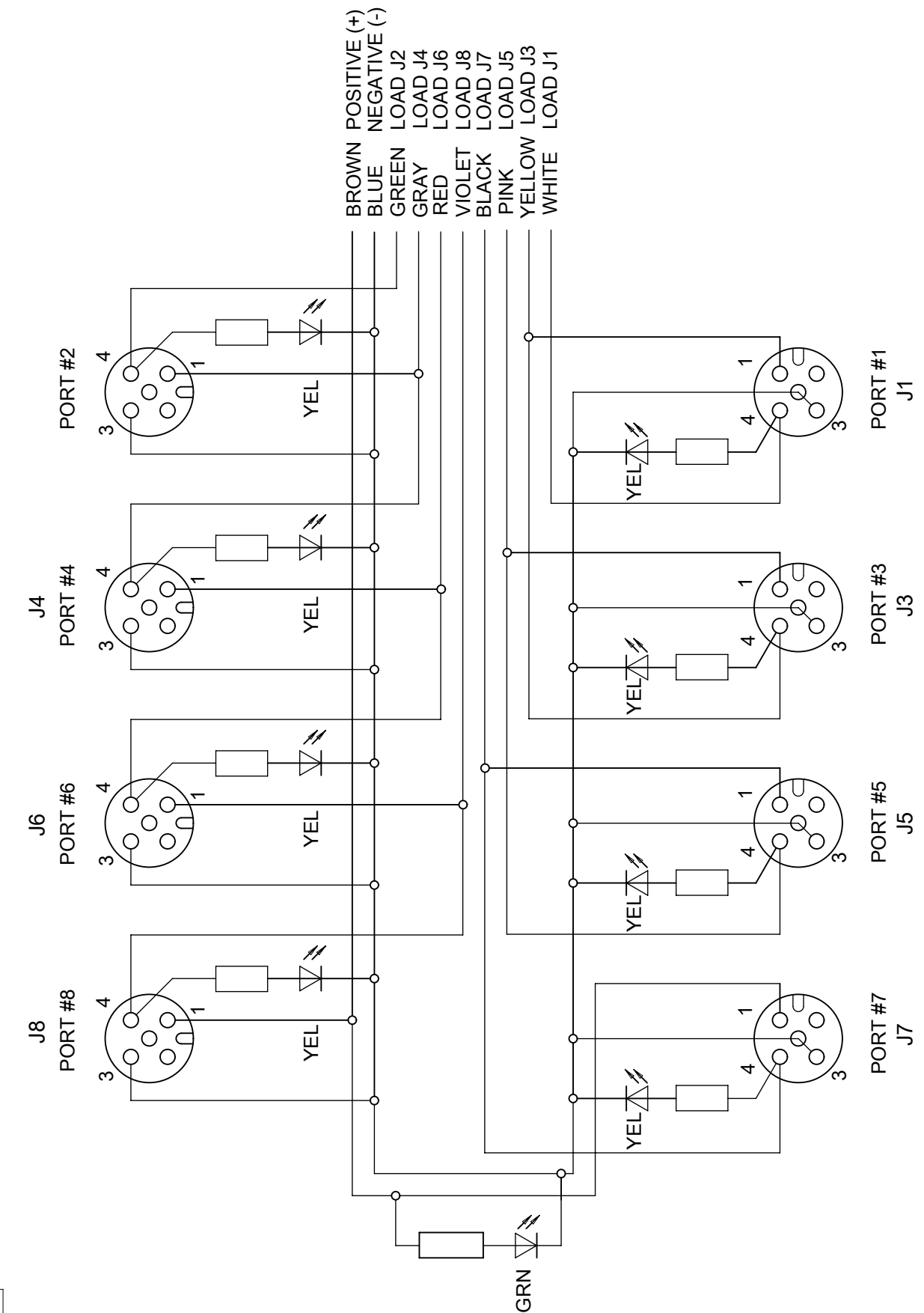
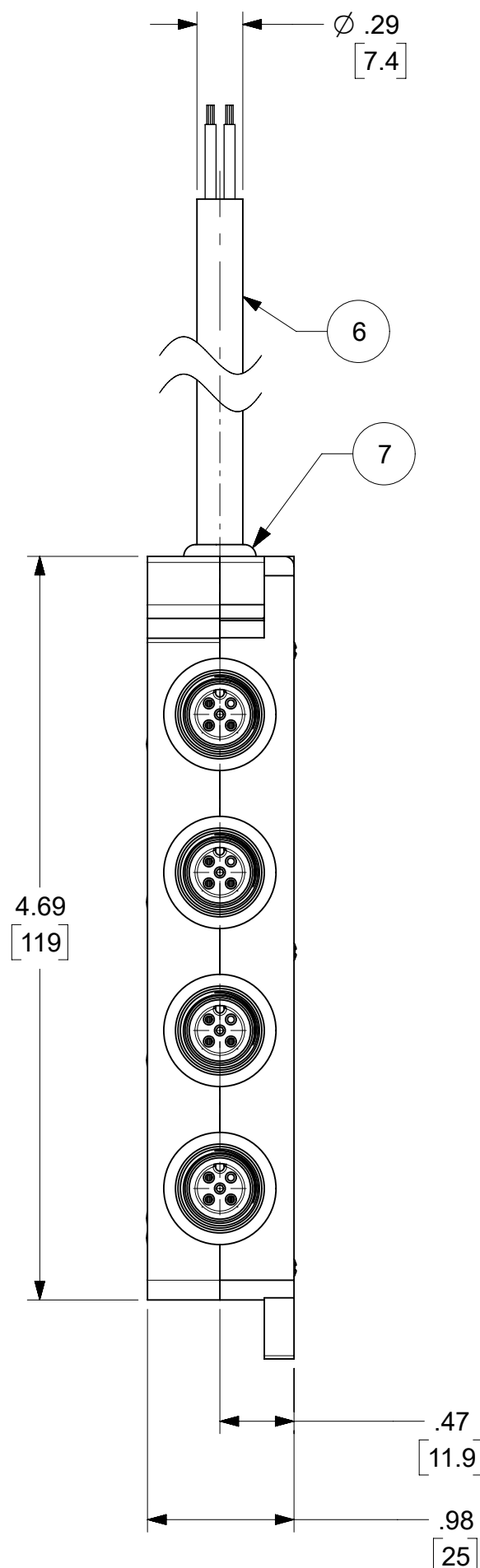
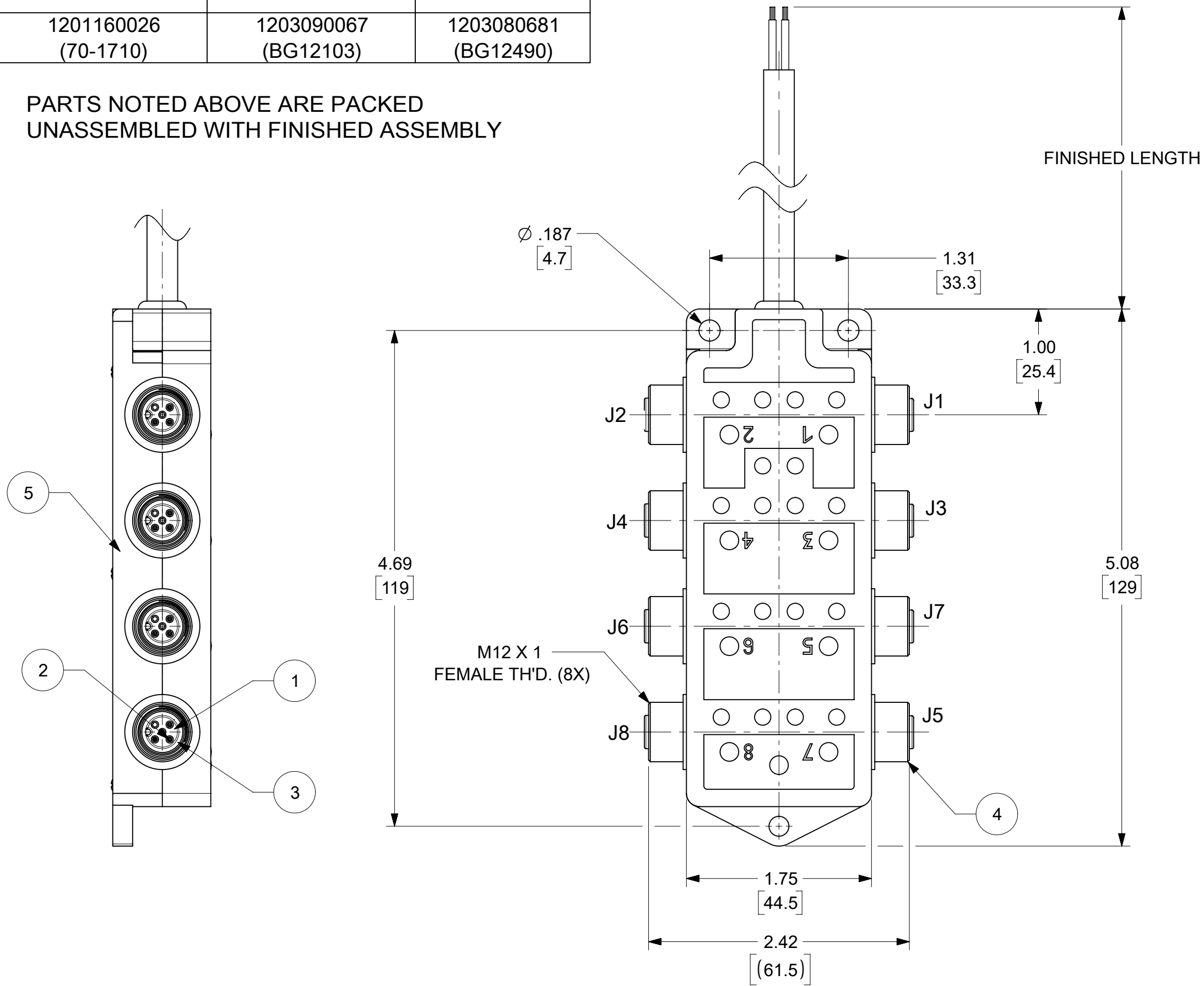


MATERIAL NO.	ENGINEERING NO.	CABLE	FINISHED LENGTH
1201150054	803P801	#22-9 #18-1 YELLOW PVC CABLE	5M (16FT 5IN)
1201150056	803P803	#22-9 #18-1 YELLOW PVC CABLE	10M (32FT 10IN)
1201150057	803P807	#18-3 & #22-8 BLACK PUR HI FLEX CABLE	5M (16FT 5IN)
1201150058	803P808	#18-3 & #22-8 BLACK PUR HI FLEX CABLE	10M (32FT 10IN)

DUST PROTECTOR BLANKING PLUG MPIS ID LABEL

		
1201160026 (70-1710)	1203090067 (BG12103)	1203080681 (BG12490)

PARTS NOTED ABOVE ARE PACKED UNASSEMBLED WITH FINISHED ASSEMBLY



WIRING SCHEMATIC

NOTE: KEYWAY ORIENTATION SHOWN IN WIRING SCHEMATIC DOES NOT REFLECT THE ACTUAL KEYWAY ON THE PRODUCT.

7	GROMMET	NITRILE	BLACK
6	CABLE	SEE TABLE	SEE TABLE
5	HOUSING, 8 PORT	NYLON	YELLOW
4	RECEPTACLE SHELL	ZINC DIE-CAST	BLACK E-COAT
3	O-RING	NITRILE	RED
2	CONTACT SOCKET	COPPER ALLOY	GOLD PLATED
1	INSERT	NYLON	BLACK
ITEM	DESCRIPTION	MATERIAL	FINISH

CABLE LENGTH TOLERANCES
 <.3M [1FT]: +19mm-0 [+.75in-0]
 .3 - .9M [1 - 3FT]: +44.5mm-0 [+1.75in-0]
 .9 - 1.8M [3 - 6FT]: +55.6mm-0 [+2.19in-0]
 1.8 - 3.7M [6 - 12FT]: +88.9mm-0 [+3.50in-0]
 3.7 - 7.3M [12 - 24FT]: +165.1mm-0 [+6.50in-0]
 7.3-14.6M [24 - 48FT]: +317.5mm-0 [+12.50in-0]
 14.6 - 30.5M [48-100FT]: +622.3mm-0 [+24.50in-0]
 OVER 30M [100FT] +2% OF FINISHED LENGTH

FUNCTIONAL SYMBOLS	THIS DRAWING CONTAINS INFORMATION THAT IS PROPRIETARY TO MOLEX ELECTRONIC TECHNOLOGIES, LLC AND SHOULD NOT BE USED WITHOUT WRITTEN PERMISSION	
	DIMENSION UNITS	SCALE
$\frac{F}{A} = 0$	INCH[MM]	NTS
$\frac{F}{C} = 0$	GENERAL TOLERANCES (UNLESS SPECIFIED)	
$\frac{F}{P} = 0$	MM	INCH
DIVISIONAL SYMBOLS	4 PLACES	±
	3 PLACES	±
	2 PLACES	±
	1 PLACE	±
	0 PLACES	±
	ANGULAR TOL	± °
DRAFT WHERE APPLICABLE MUST REMAIN WITHIN DIMENSIONS		THIRD ANGLE PROJECTION
		DRAWING
		SERIES
		MATERIAL NUMBER
		CUSTOMER
		SHEET NUMBER

CURRENT REV DESC: DOCUMENT WAS IN AUTOCAD - RECREATED IT IN NX. ADDED KEYWAY ORIENTATION NOTE AND LABEL VIEW.

EC NO: 747740
 DRWN: VASUTHKARP 2023/05/02
 CHK'D: MBRZOZOWSKI 2023/05/03
 APPR: BWOODMAN 2023/05/03

INITIAL REVISION:
 DRWN: IRV 1991/11/20
 APPR:

molex

MICRO-CHANGE MPIS
 8 PORT SIDE MOUNT PNP PVC CABLE

PRODUCT CUSTOMER DRAWING

DOCUMENT NUMBER: **SD-120115-007** DOC TYPE: PSD DOC PART: 001 REVISION: B1

GENERAL MARKET 1 OF 1