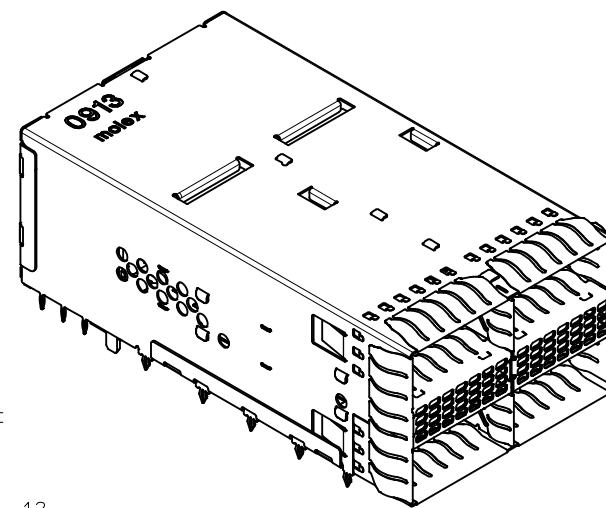
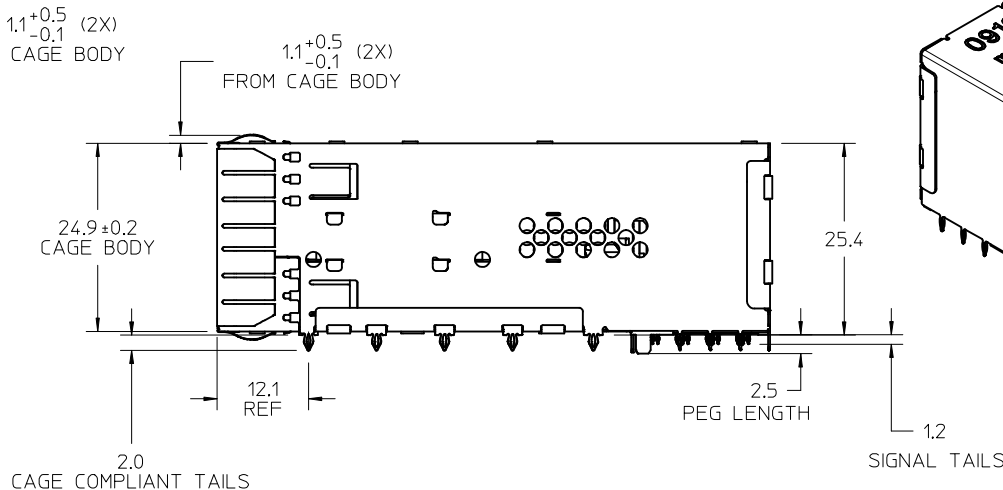
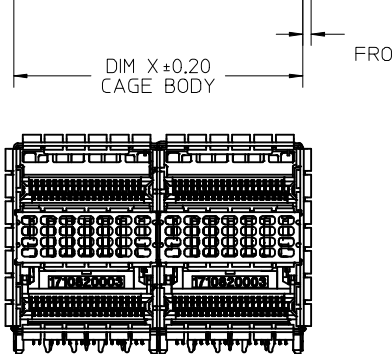


PORT SIZE	PART NUMBER	DIM X	DIM Y
2X1	171722-1061	19.25	19.85
2X2	171722-2061	38.25	38.85
2X3	171722-3061	57.25	57.85

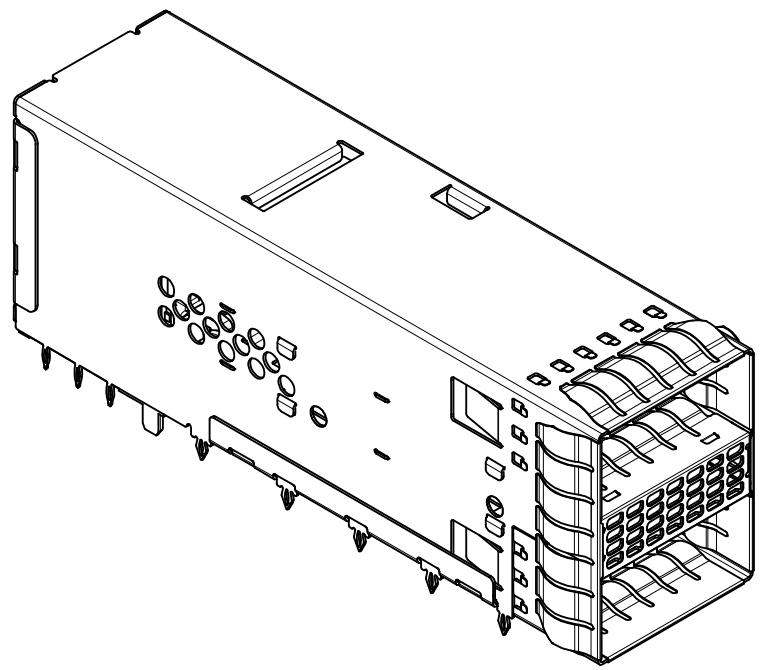
NOTES:

- MATERIAL:
 CAGE: STAINLESS STEEL
 SPRING FINGERS: COPPER ALLOY
 CONNECTOR HOUSING: GLASS FILLED LIQUID CRYSTAL POLYMER (LCP),
 COLOR: BLACK, 94V-0
 TERMINALS: HIGH PERFORMANCE COPPER ALLOY
 INTERNAL 8 FIN HEATSINKS: ANNOXIDIZED ALUMINUM
 INTERNAL HEATSINK CLIPS: STAINLESS STEEL
- FINISH:
 SPRING FINGERS: 0.5 MICROMETER MINIMUM NICKEL
 TERMINALS:
 CONTACT AREA: 0.76 MICROMETER MINIMUM GOLD OVER
 A NICKEL UNDERPLATE.
 COMPLIANT AREA: 0.76-1.52 MICROMETER MATTE TIN
 OVER A NICKEL UNDERPLATE.
- PRODUCT SPECIFICATION: PS-171565-0001
- PACKAGING SPECIFICATION: PK-171565-0001
- APPLICATION SPECIFICATIONS: AS-171565-0001 AND AS-171565-0002
- ALL SURFACES TO BE CLASS 'C' OR BETTER PER MOLEX COSMETIC SPECIFICATION ES-171233-0001.
- CONNECTOR INTENDED TO MATE WITH PLUG CABLE SERIES 74757 AND 74758.
- DATE CODE LOCATION SHOWN, DATE CODE FORMAT: DDDY
 DDD = DAY OF THE YEAR, Y = YEAR.

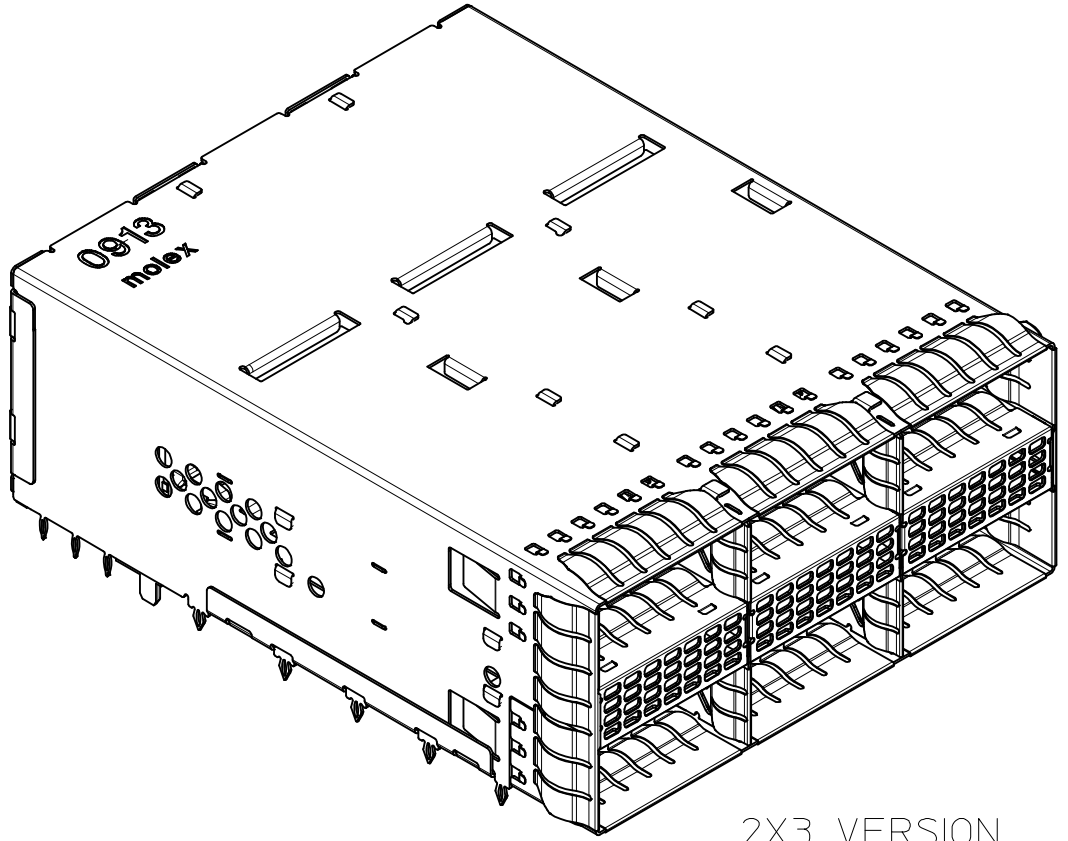
2x2 VERSION SHOWN



REV HEIGHT DIM EC NO: UCP2017-0773 DRWN: MWOLFE 2016/10/05 CHKD: MWOLFE APPR: SMILLER 2016/10/11 REV: A	DESCRIPTION QUALITY SYMBOLS 	GENERAL TOLERANCES (UNLESS SPECIFIED)		DIMENSION STYLE MM ONLY		SCALE 2:1	DESIGN UNITS METRIC	THIRD ANGLE PROJECTION		
		mm INCH		DRAWN BY MWOLFE	DATE 2016/02/05	TITLE ZQSFP+ STACKED CONNECTOR WITH EMI SPRING FINGER THRU-FLOW, IRHS				
		4 PLACES ± --- ± --- 3 PLACES ± --- ± --- 2 PLACES ± 0.13 ± --- 1 PLACE ± 0.25 ± --- 0 PLACE ± --- ± ---		CHECKED BY BBARKER	DATE 2016/02/05	molex				
		ANGULAR ±1/2°		APPROVED BY SMILLER	DATE 2016/10/11	MATERIAL NO. SEE TABLE		DOCUMENT NO. SD-171722-0061	SHEET NO. 1 OF 4	
DRAFT WHERE APPLICABLE MUST REMAIN WITHIN DIMENSIONS		SIZE 		THIS DRAWING CONTAINS INFORMATION THAT IS PROPRIETARY TO MOLEX INCORPORATED AND SHOULD NOT BE USED WITHOUT WRITTEN PERMISSION						

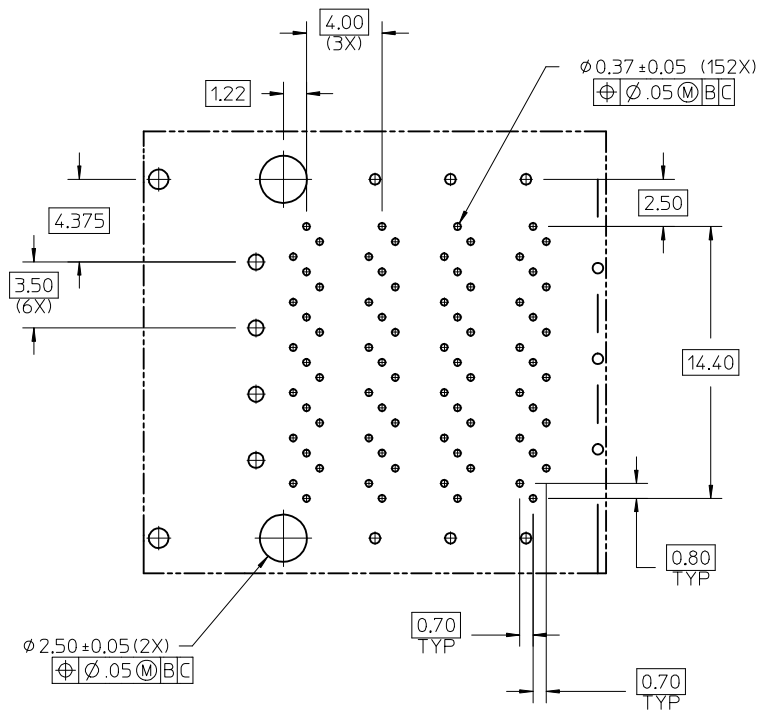
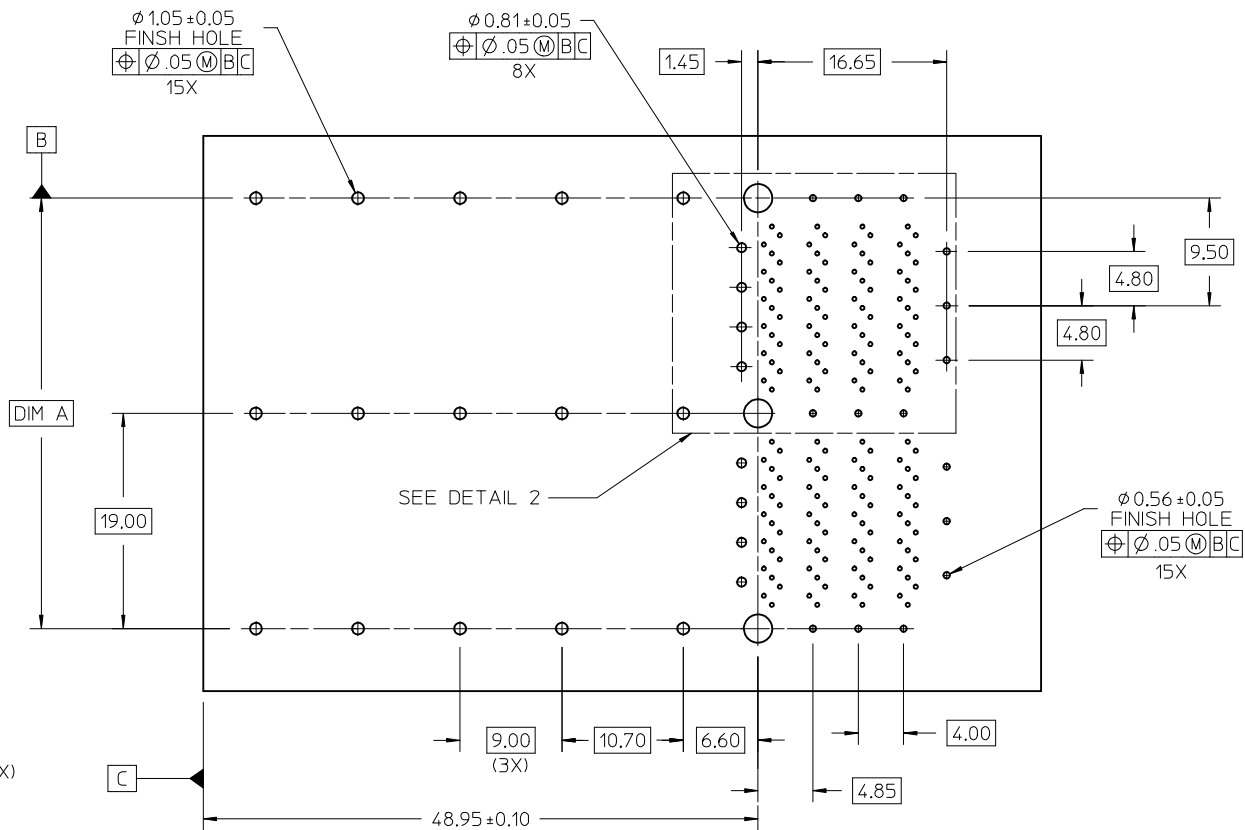


2X1 VERSION



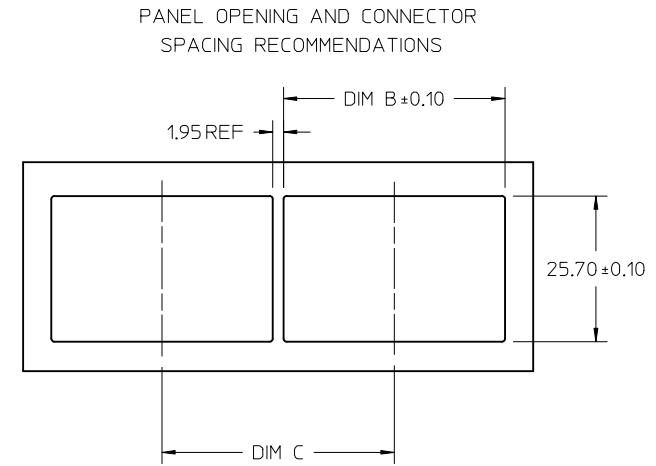
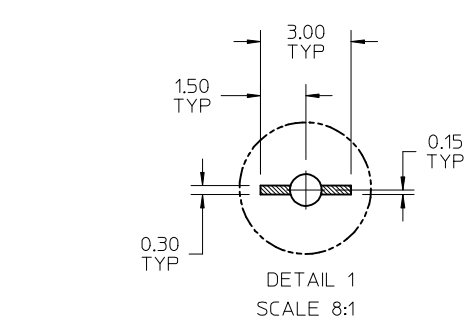
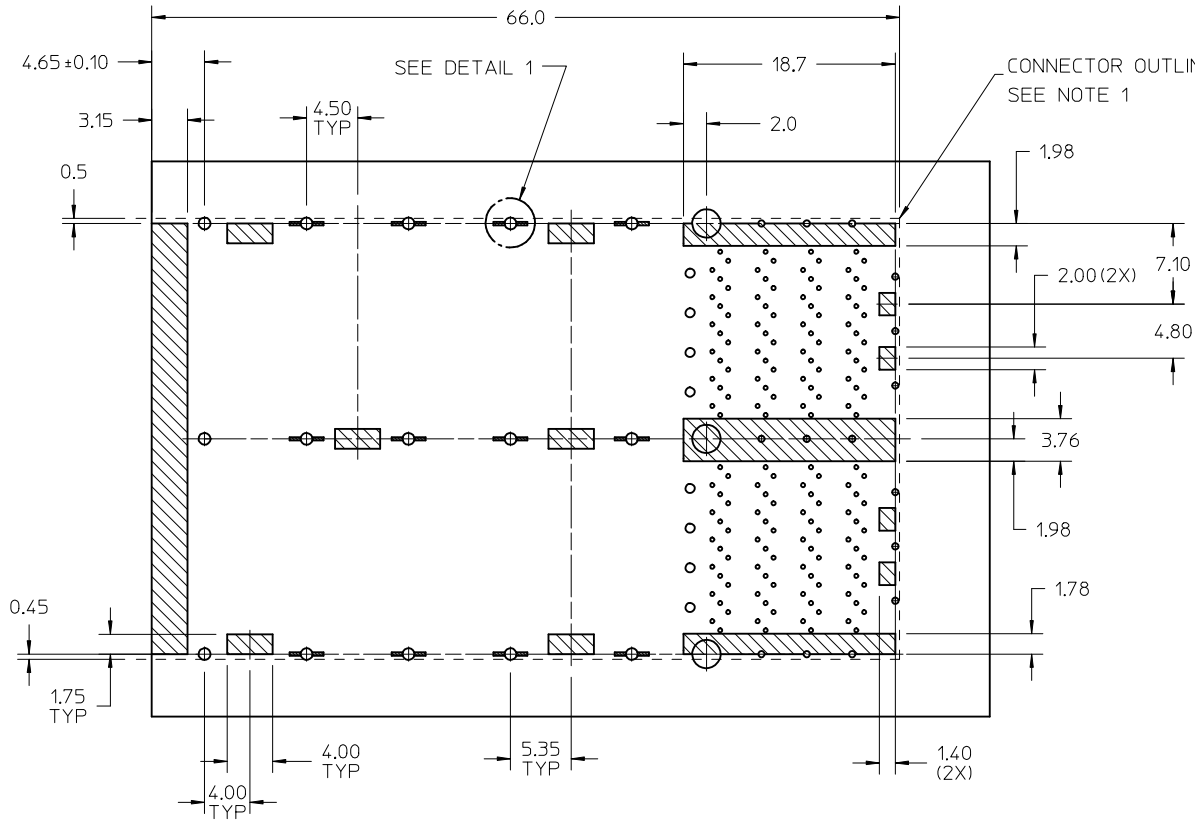
2X3 VERSION

SEE SHEET 1 EC NO: UCP2017-0773 DRAWN: MWOLFE 2016/10/05 CHKD: APPR: SMILLER 2016/10/11 REV: A	QUALITY SYMBOLS	GENERAL TOLERANCES (UNLESS SPECIFIED)	DIMENSION STYLE	SCALE	DESIGN UNITS	THIRD ANGLE PROJECTION
	▽=0	mm INCH	MM ONLY	3:1	METRIC	
	▽=0	4 PLACES ± --- ± ---	DRAWN BY DATE	TITLE		
	▽=0	3 PLACES ± --- ± ---	MWOLFE 2016/02/05	ZQSFP+ STACKED CONNECTOR WITH EMI SPRING FINGER THRU-FLOW, IRHS		
	▽=0	2 PLACES ± 0.13 ± ---	CHECKED BY DATE	molex DOCUMENT NO. SD-171722-0061 SHEET NO. 2 OF 4		
	1 PLACE ± 0.25 ± ---	BBARKER 2016/02/05				
	0 PLACE ± --- ± ---	APPROVED BY DATE	MATERIAL NO.			
		SMILLER 2016/10/11	SEE TABLE			
			DRAFT WHERE APPLICABLE MUST REMAIN WITHIN DIMENSIONS			

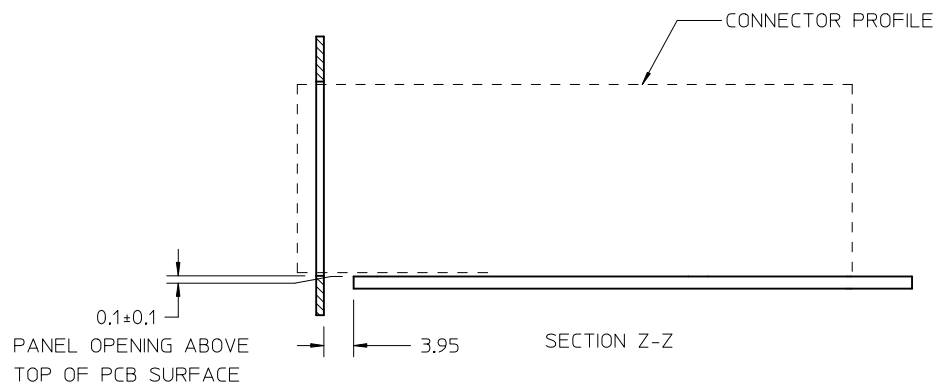


HOLE CHART						
PORT SIZE	DIM A	SIGNAL TAILS ($\phi 0.37$)	SHIELD TAILS ($\phi 0.56$)	SHIELD TAILS ($\phi 0.81$)	SHIELD TAILS ($\phi 1.05$)	PEGS ($\phi 2.50$)
2X1	19.00	76	9	4	10	2
2X2	38.00	152	15	8	15	3
2X3	57.00	228	21	12	20	4

SEE SHEET 1 EC NO: UCP2017-0773 DRAWN BY: MWOLFE 2016/10/05 CHKD: CHPR:SMILLER 2016/10/11 APPR:SMILLER 2016/10/11	QUALITY SYMBOLS	GENERAL TOLERANCES (UNLESS SPECIFIED)	DIMENSION STYLE MM ONLY	SCALE 2:1	DESIGN UNITS METRIC	THIRD ANGLE PROJECTION
	$\nabla = 0$	mm INCH	DRAWN BY DATE MWOLFE 2016/02/05	TITLE	ZQSFP+ STACKED CONNECTOR WITH EMI SPRING FINGER THRU-FLOW, IRHS molex	
	$\nabla = 0$	4 PLACES ± --- ± ---	CHECKED BY DATE BBARKER 2016/02/05	DOCUMENT NO.		
	$\nabla = 0$	3 PLACES ± --- ± ---	APPROVED BY DATE SMILLER 2016/10/11	SD-171722-0061		
	2 PLACES ± 0.13 ± ---		SHEET NO. 3 OF 4			
		1 PLACE ± 0.25 ± ---				
		0 PLACE ± --- ± ---				
		ANGULAR ± 1/2°				
		DRAFT WHERE APPLICABLE MUST REMAIN WITHIN DIMENSIONS	SIZE C	THIS DRAWING CONTAINS INFORMATION THAT IS PROPRIETARY TO MOLEX INCORPORATED AND SHOULD NOT BE USED WITHOUT WRITTEN PERMISSION		

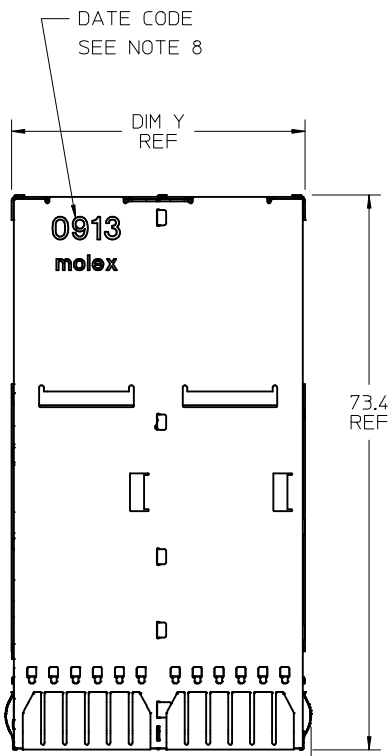


PORT SIZE	DIM B	DIM C
2X1	20.05	22.00 MINIMUM
2X2	39.05	41.00 MINIMUM
2X3	58.05	60.00 MINIMUM



- NOTES:
1. THE ENTIRE AREA UNDER THE CONNECTOR IS A COMPONENT KEEP-OUT ZONE.
 2. CROSS HATCHED AREAS INDICATE PLACES WHERE THE PLASTIC HOUSING AND METAL CAGE MAY BE IN CONTACT WITH THE PCB SURFACE. THESE AREAS ARE THE TRACE KEEP-OUT ZONES.

SEE SHEET 1 EC NO: UCP2017-0773 DRAWN: MWOLFE 2016/10/05 CHKD: MWOLFE APPR: SMILLER 2016/10/11	DESCRIPTION REV: A	QUALITY SYMBOLS	GENERAL TOLERANCES (UNLESS SPECIFIED)	DIMENSION STYLE MM ONLY	SCALE 2:1	DESIGN UNITS METRIC	THIRD ANGLE PROJECTION
		▽=0	mm INCH	DRAWN BY DATE MWOLFE 2016/02/05	TITLE ZQSFP+ STACKED CONNECTOR WITH EMI SPRING FINGER THRU-FLOW, IRHS		
		▽=0	4 PLACES ± --- ± ---	CHECKED BY DATE BBARKER 2016/02/05			
		▽=0	3 PLACES ± --- ± ---	APPROVED BY DATE SMILLER 2016/10/11			
	2 PLACES ±0.13 ± ---	MATERIAL NO.	DOCUMENT NO.				
		1 PLACE ±0.25 ± ---	ANGULAR ±1/2°	SIZE C	SEE TABLE	SD-171722-0061	SHEET NO. 4 OF 4
		0 PLACE ± --- ± ---	DRAFT WHERE APPLICABLE MUST REMAIN WITHIN DIMENSIONS	THIS DRAWING CONTAINS INFORMATION THAT IS PROPRIETARY TO MOLEX INCORPORATED AND SHOULD NOT BE USED WITHOUT WRITTEN PERMISSION			

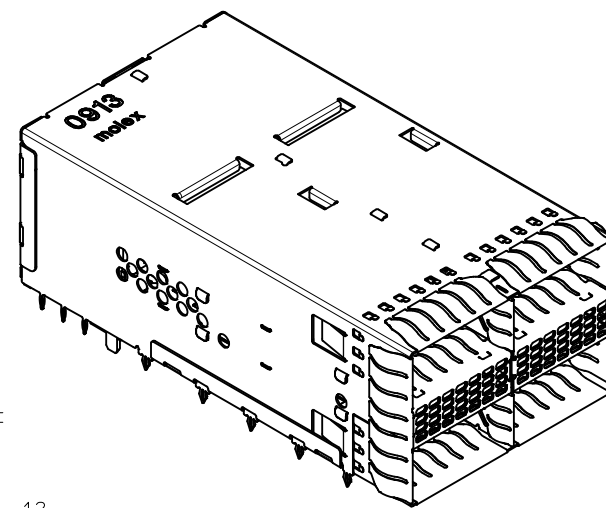
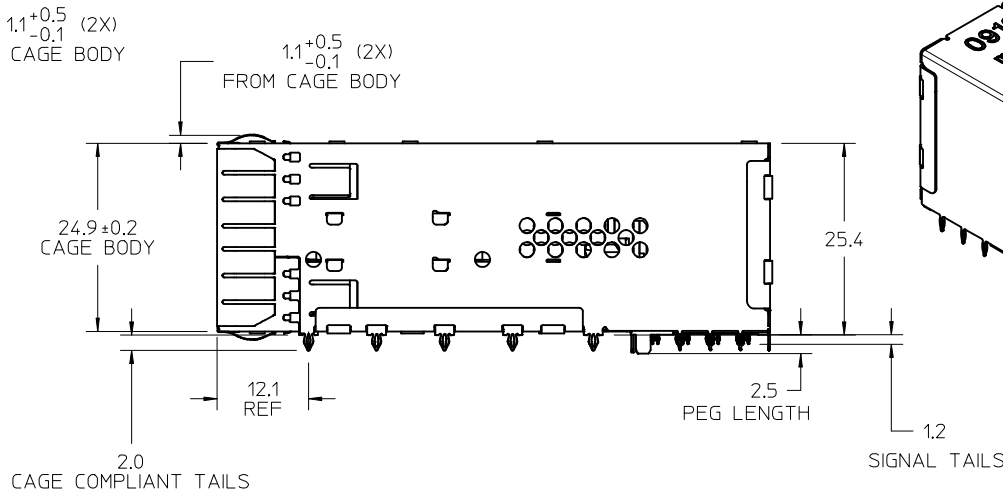
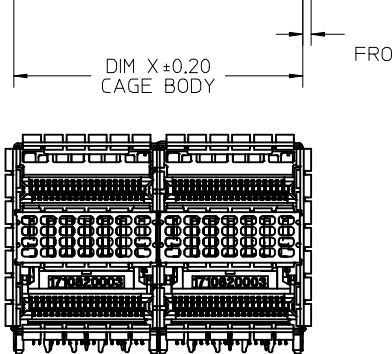


PORT SIZE	PART NUMBER	DIM X	DIM Y
2X1	171722-1061	19.25	19.85
2X2	171722-2061	38.25	38.85
2X3	171722-3061	57.25	57.85

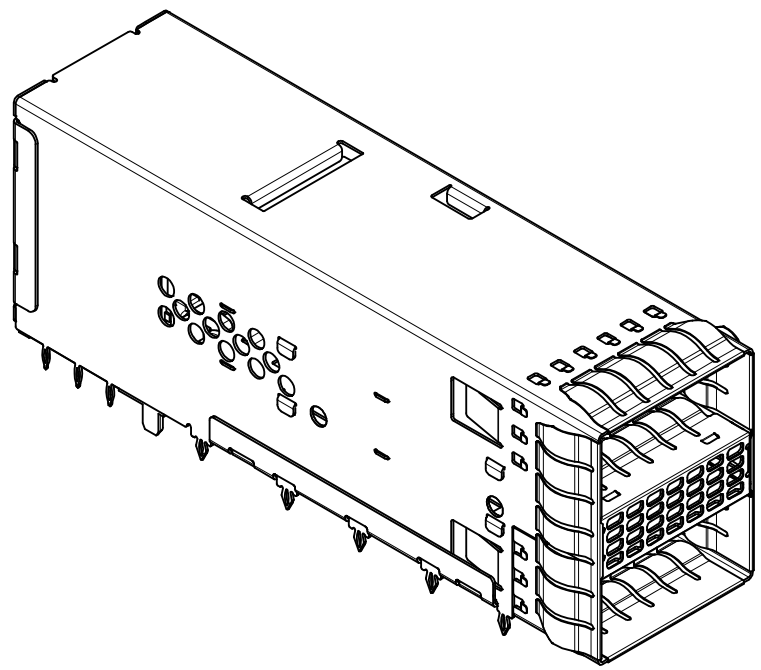
NOTES:

- MATERIAL:
 CAGE: STAINLESS STEEL
 SPRING FINGERS: COPPER ALLOY
 CONNECTOR HOUSING: GLASS FILLED LIQUID CRYSTAL POLYMER (LCP),
 COLOR: BLACK, 94V-0
 TERMINALS: HIGH PERFORMANCE COPPER ALLOY
 INTERNAL 8 FIN HEATSINKS: ANNOXIDIZED ALUMINUM
 INTERNAL HEATSINK CLIPS: STAINLESS STEEL
- FINISH:
 SPRING FINGERS: 0.5 MICROMETER MINIMUM NICKEL
 TERMINALS:
 CONTACT AREA: 0.76 MICROMETER MINIMUM GOLD OVER
 A NICKEL UNDERPLATE.
 COMPLIANT AREA: 0.76-1.52 MICROMETER MATTE TIN
 OVER A NICKEL UNDERPLATE.
- PRODUCT SPECIFICATION: PS-171565-0001
- PACKAGING SPECIFICATION: PK-171565-0001
- APPLICATION SPECIFICATIONS: AS-171565-0001 AND AS-171565-0002
- ALL SURFACES TO BE CLASS 'C' OR BETTER PER MOLEX COSMETIC SPECIFICATION ES-171233-0001.
- CONNECTOR INTENDED TO MATE WITH PLUG CABLE SERIES 74757 AND 74758.
- DATE CODE LOCATION SHOWN, DATE CODE FORMAT: DDDY
 DDD = DAY OF THE YEAR, Y = YEAR.

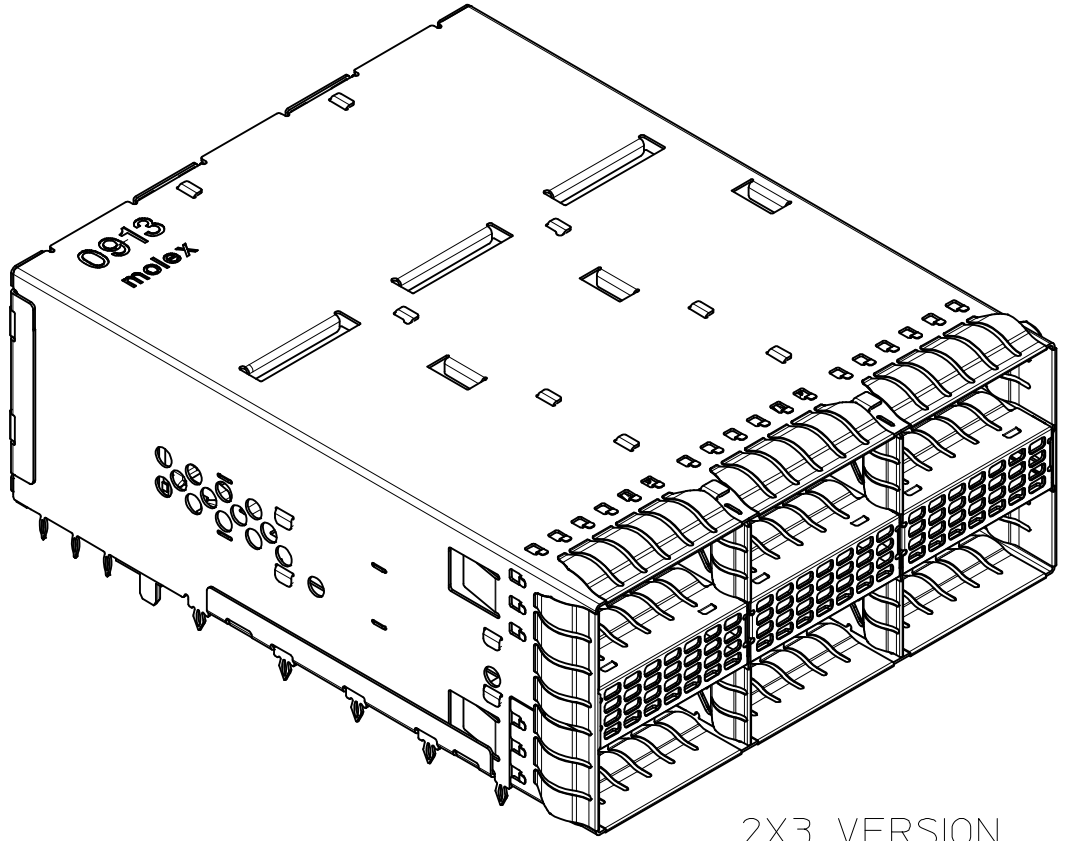
2x2 VERSION SHOWN



REV HEIGHT DIM EC NO: UCP2017-0773 DRWN: MWOLFE 2016/10/05 CHKD: MWOLFE APPR: SMILLER 2016/10/11 REV: A	DESCRIPTION QUALITY SYMBOLS 	GENERAL TOLERANCES (UNLESS SPECIFIED)		DIMENSION STYLE MM ONLY		SCALE 2:1	DESIGN UNITS METRIC	THIRD ANGLE PROJECTION		
		mm INCH		DRAWN BY MWOLFE	DATE 2016/02/05	TITLE ZQSFP+ STACKED CONNECTOR WITH EMI SPRING FINGER THRU-FLOW, IRHS				
		4 PLACES ± --- ± --- 3 PLACES ± --- ± --- 2 PLACES ± 0.13 ± --- 1 PLACE ± 0.25 ± --- 0 PLACE ± --- ± ---		CHECKED BY BBARKER	DATE 2016/02/05	MATERIAL NO. SEE TABLE				
		ANGULAR ±1/2°		APPROVED BY SMILLER	DATE 2016/10/11	DOCUMENT NO. SD-171722-0061		SHEET NO. 1 OF 4		

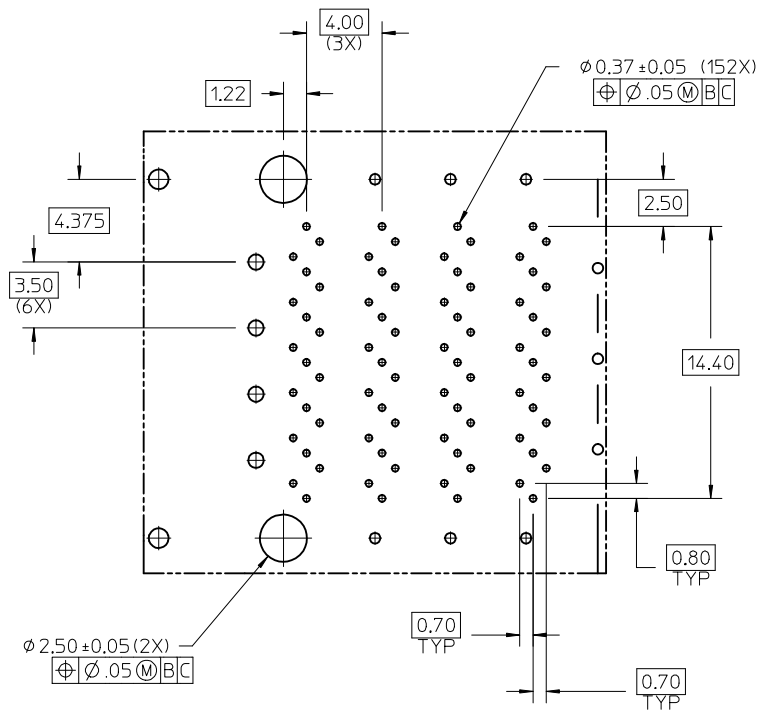
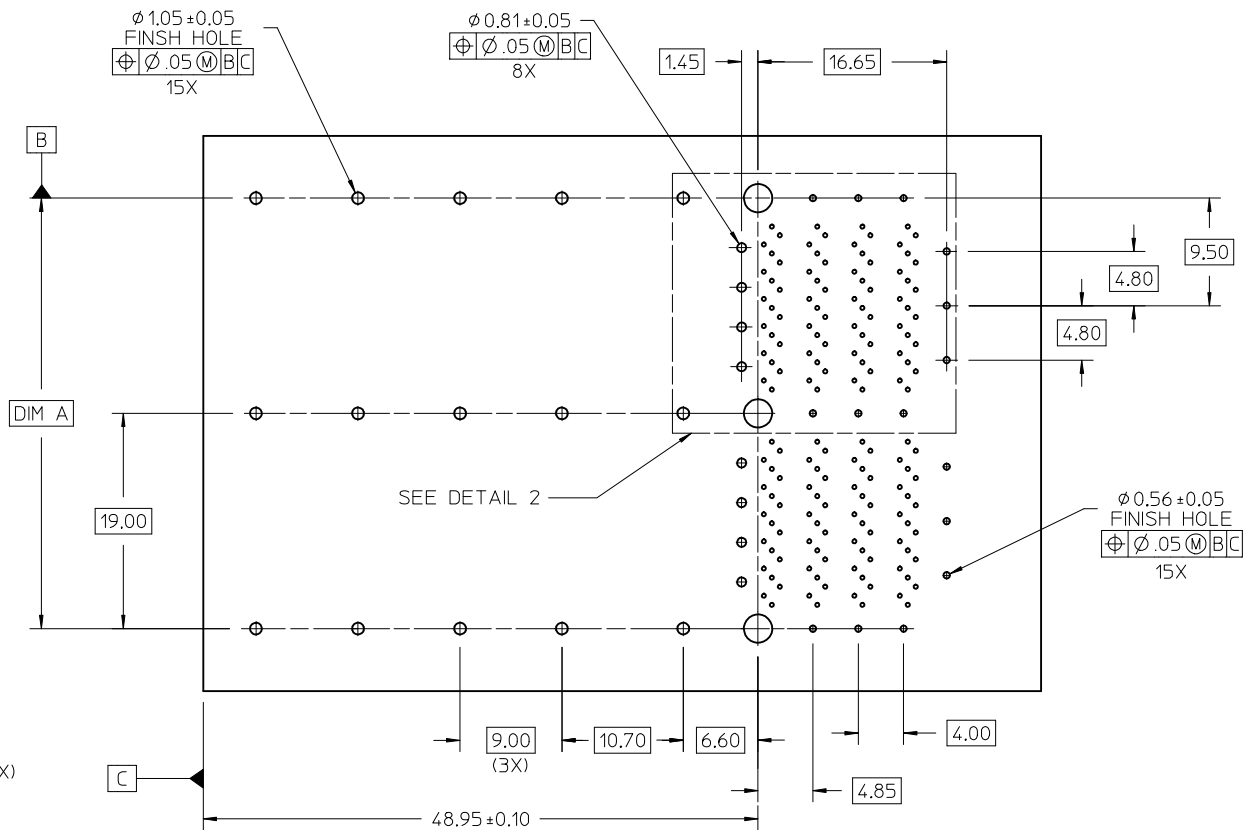


2X1 VERSION



2X3 VERSION

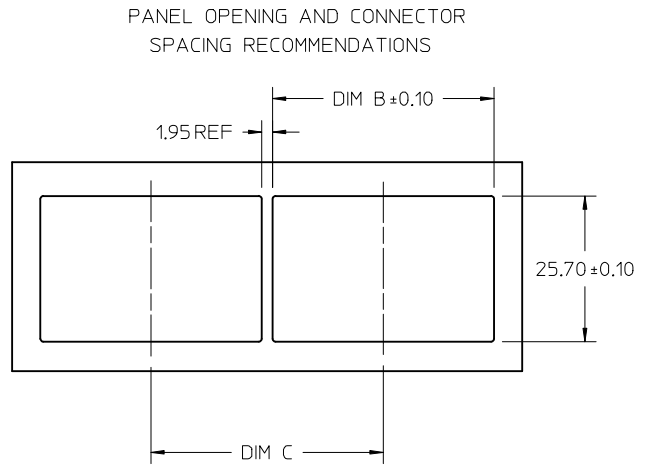
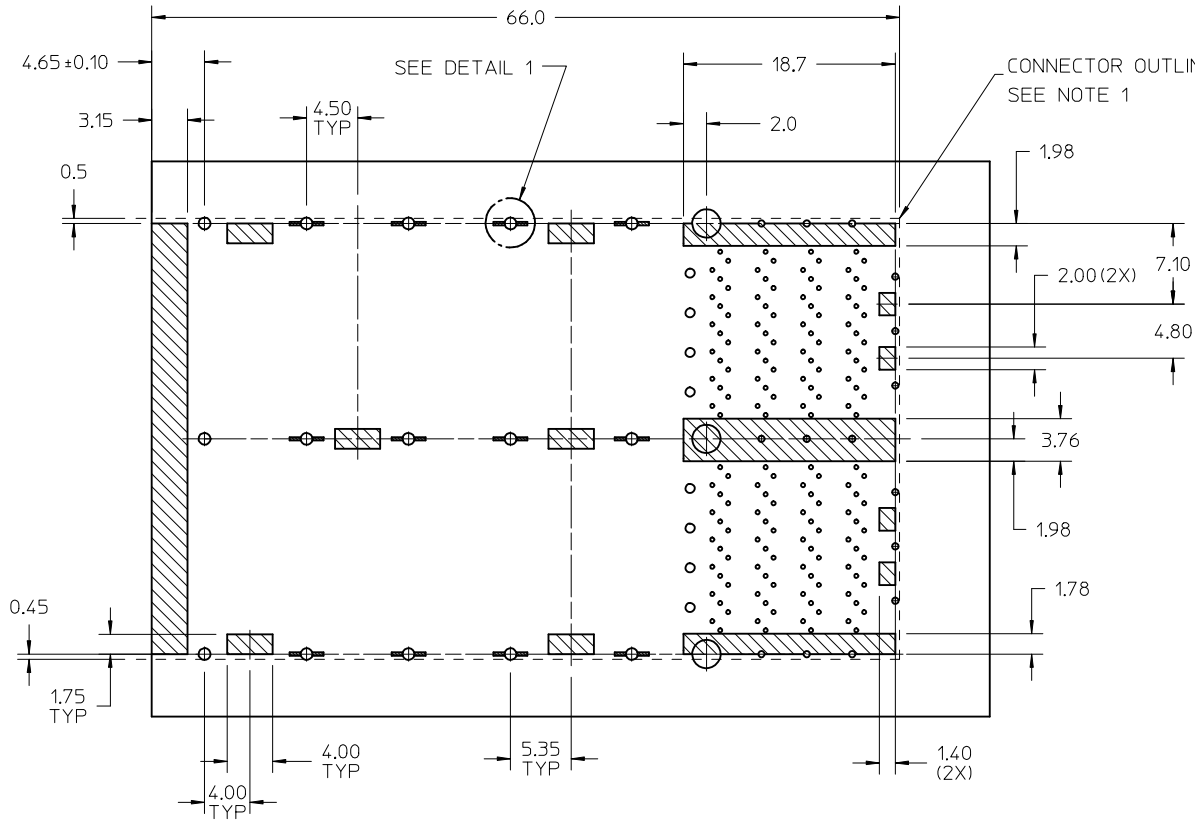
SEE SHEET 1 EC NO: UCP2017-0773 DRAWN: MWOLFE 2016/10/05 CHKD: APPR: SMILLER 2016/10/11 REV: A	QUALITY SYMBOLS	GENERAL TOLERANCES (UNLESS SPECIFIED)	DIMENSION STYLE	SCALE	DESIGN UNITS	THIRD ANGLE PROJECTION
	▽=0	mm INCH	MM ONLY	3:1	METRIC	
	▽=0	4 PLACES ± --- ± ---	DRAWN BY DATE	TITLE		
	▽=0	3 PLACES ± --- ± ---	MWOLFE 2016/02/05	ZQSFP+ STACKED CONNECTOR WITH EMI SPRING FINGER THRU-FLOW, IRHS		
	▽=0	2 PLACES ± 0.13 ± ---	CHECKED BY DATE	molex DOCUMENT NO. SD-171722-0061 SHEET NO. 2 OF 4		
	1 PLACE ± 0.25 ± ---	BBARKER 2016/02/05				
	0 PLACE ± --- ± ---	APPROVED BY DATE	MATERIAL NO.			
		SMILLER 2016/10/11	SEE TABLE			
		ANGULAR ±1/2°	DRAFT WHERE APPLICABLE MUST REMAIN WITHIN DIMENSIONS			
			THIS DRAWING CONTAINS INFORMATION THAT IS PROPRIETARY TO MOLEX INCORPORATED AND SHOULD NOT BE USED WITHOUT WRITTEN PERMISSION			



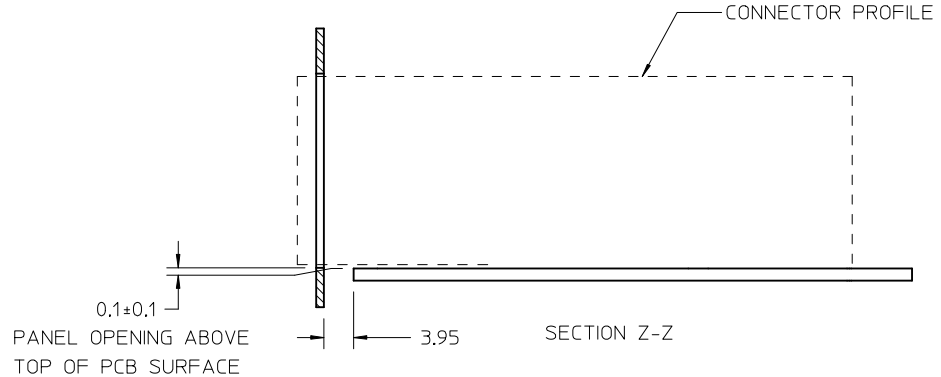
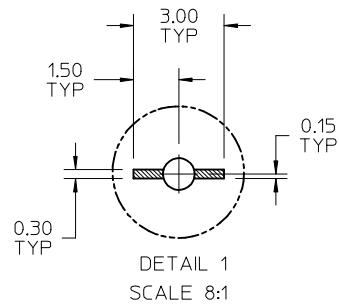
DETAIL 2
SCALE 5:1

HOLE CHART						
PORT SIZE	DIM A	SIGNAL TAILS ($\phi 0.37$)	SHIELD TAILS ($\phi 0.56$)	SHIELD TAILS ($\phi 0.81$)	SHIELD TAILS ($\phi 1.05$)	PEGS ($\phi 2.50$)
2X1	19.00	76	9	4	10	2
2X2	38.00	152	15	8	15	3
2X3	57.00	228	21	12	20	4

SEE SHEET 1 EC NO: UCP2017-0773 DRAWN: MWOLFE 2016/10/05 CHKD: CHPPR: SMILLER 2016/10/11 APPR: SMILLER 2016/10/11	QUALITY SYMBOLS	GENERAL TOLERANCES (UNLESS SPECIFIED)	DIMENSION STYLE MM ONLY	SCALE 2:1	DESIGN UNITS METRIC	THIRD ANGLE PROJECTION
	$\nabla = 0$	mm INCH	DRAWN BY DATE MWOLFE 2016/02/05	TITLE ZQSFP+ STACKED CONNECTOR WITH EMI SPRING FINGER THRU-FLOW, IRHS	molex SD-171722-0061	
	$\nabla = 0$	4 PLACES ± --- ± ---	CHECKED BY DATE BBARKER 2016/02/05	APPROVED BY DATE SMILLER 2016/10/11		
	$\nabla = 0$	2 PLACES ± 0.13 ± --- 1 PLACE ± 0.25 ± --- 0 PLACE ± --- ± ---	ANGULAR ± 1/2°	MATERIAL NO.	DOCUMENT NO.	SHEET NO. 3 OF 4
A	REV	DRAFT WHERE APPLICABLE MUST REMAIN WITHIN DIMENSIONS	SIZE C	THIS DRAWING CONTAINS INFORMATION THAT IS PROPRIETARY TO MOLEX INCORPORATED AND SHOULD NOT BE USED WITHOUT WRITTEN PERMISSION		



PORT SIZE	DIM B	DIM C
2X1	20.05	22.00 MINIMUM
2X2	39.05	41.00 MINIMUM
2X3	58.05	60.00 MINIMUM



- NOTES:
1. THE ENTIRE AREA UNDER THE CONNECTOR IS A COMPONENT KEEP-OUT ZONE.
 2. CROSS HATCHED AREAS INDICATE PLACES WHERE THE PLASTIC HOUSING AND METAL CAGE MAY BE IN CONTACT WITH THE PCB SURFACE. THESE ARE THE TRACE KEEP-OUT ZONES.

SEE SHEET 1 EC NO: UCP2017-0773 DRAWN: MWOLFE 2016/10/05 CHKD: MWOLFE APPR: SMILLER 2016/10/11	QUALITY SYMBOLS ∇=0 ∇=0 ∇=0	GENERAL TOLERANCES (UNLESS SPECIFIED)		DIMENSION STYLE MM ONLY	SCALE 2:1	DESIGN UNITS METRIC	THIRD ANGLE PROJECTION		
		4 PLACES ± --- ± --- 3 PLACES ± --- ± --- 2 PLACES ± 0.13 ± --- 1 PLACE ± 0.25 ± --- 0 PLACE ± --- ± ---	mm INCH	DRAWN BY MWOLFE	DATE 2016/02/05	TITLE ZQSFP+ STACKED CONNECTOR WITH EMI SPRING FINGER THRU-FLOW, IRHS			
		ANGULAR ±1/2°		CHECKED BY BBARKER	DATE 2016/02/05	molex			
		DRAFT WHERE APPLICABLE MUST REMAIN WITHIN DIMENSIONS		APPROVED BY SMILLER	DATE 2016/10/11	MATERIAL NO. SEE TABLE	DOCUMENT NO. SD-171722-0061	SHEET NO. 4 OF 4	

THIS DRAWING CONTAINS INFORMATION THAT IS PROPRIETARY TO MOLEX INCORPORATED AND SHOULD NOT BE USED WITHOUT WRITTEN PERMISSION