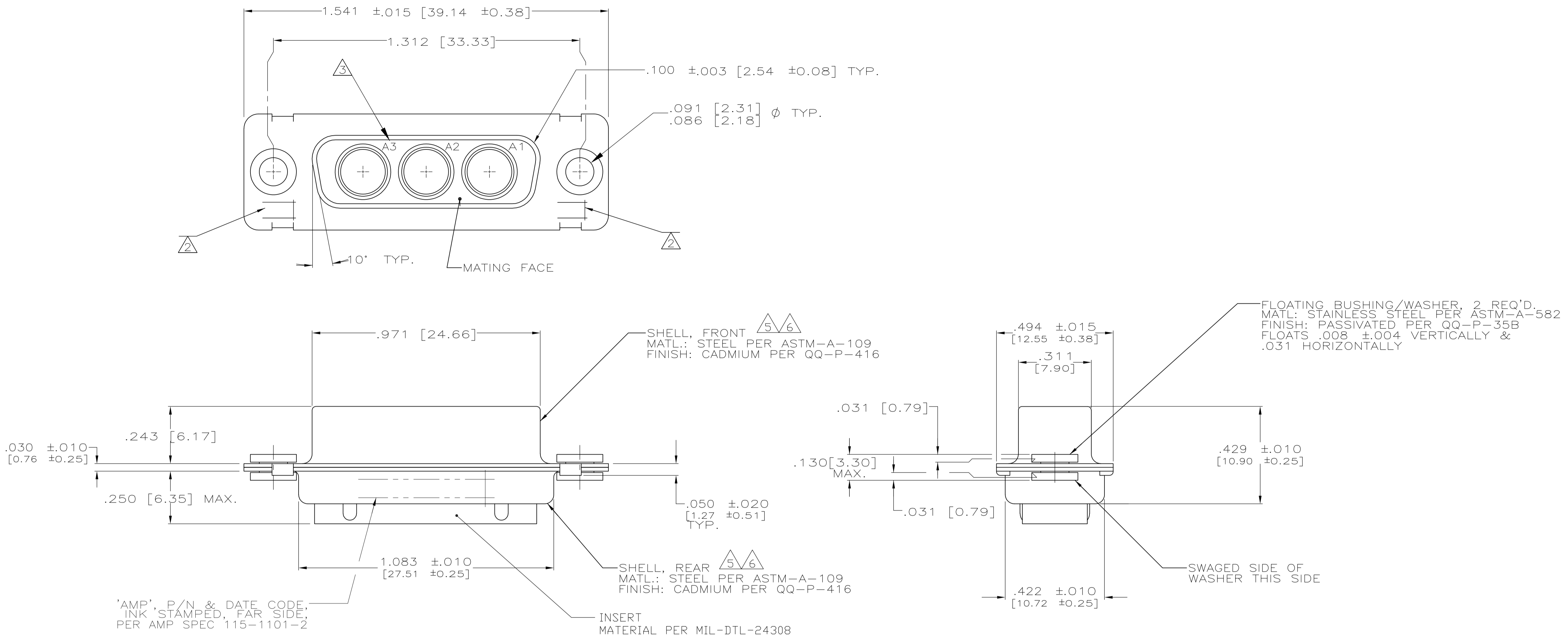


LOC		DIST		REVISIONS			
P	LTR	DESCRIPTION	DATE	DMN	APVD		
B		REV PER ECO 15-005928	5-12-15	CT	DM		



1. THIS RCPT. IS DESIGNED TO CONFORM TO THE LATEST ISSUE OF MIL-C-24308.
2. UL/CSA DESIGNATION STAMPED IN THIS AREA, OPTIONAL.
3. RAISED NUMBERS FOR IDENTIFICATION OF CIRCUIT HOLES.
4. CONTACTS NOT SUPPLIED WITH ASSEMBLY. CONTACTS TO BE PURCHASED SEPARATELY.
5. FINISH: CADMIUM PER QQ-P-416.
6. FINISH: ZINC PLATE PER ASTM-B-633 .000200-.000400 THK WITH SUPPLEMENTARY CHROMATE (Cr3+).

6	5-447718-1
AS SHOWN	447718-1
NOTES	PART NO

THIS DRAWING IS A CONTROLLED DOCUMENT.		DIN	2-11-91
DIMENSIONS: INCHES		CHK	
TOLERANCES UNLESS OTHERWISE SPECIFIED:		APVD	
0. PLC	±	PRODUCT SPEC	
1. PLC	±	APPLICATION SPEC	
2. PLC	±		
3. PLC	± .005 [0.13]		
4. PLC	±		
ANGLES	±		
MATERIAL	FINISH	WEIGHT	
CUSTOMER DRAWING		SCALE	1:1
SHEET		1	OF 1
REV		B	



TE Connectivity
 RECEPTACLE ASSEMBLY, AMPLIMITE, 3C3, SIZE 2, SERIES 109, COAX, WITH FLOAT BUSHINGS

SIZE	A1	CAGE CODE	00779	DRAWING NO	447718	RESTRICTED TO	
------	----	-----------	-------	------------	--------	---------------	--