

# WSA50 - 1 - 2 - 3 - 4 - 5 - 6 - 7

SWITCH FUNCTION CODE	SWITCH FUNCTION DESCRIPTION
1	MECHANICAL, MOMENTARY, SOLDER TERMINAL
A	MOMENTARY, NORMAL OPEN (NO), WIRE LEADS
C	MOMENTARY, NORMAL CLOSE (NC), WIRE LEADS
E	MOMENTARY, NORMAL OPEN/NORMAL CLOSE (NO/NC), WIRE LEADS

HOUSING TYPE CODE	HOUSING TYPE DESCRIPTION
RBK	ROUND, BLACK

LED COLOR CODE	LED COLOR
N	NONE
G	GREEN
R	RED
B	BLUE
W	WHITE
Y	YELLOW

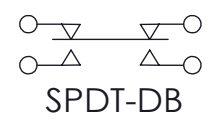
BUTTON COLOR CODE	BUTTON COLOR
RD	RED
GR	GREEN
BK	BLACK
BL	BLUE
YL	YELLOW
OR	ORANGE

MOUNTING TYPE CODE	MOUNTING TYPE
B	BUSHING

LED INLET VOLTAGE CODE		LED INLET VOLTAGE
NON-WIRELEADS	IF BLANK*	FOLLOW LED SPECIFICATION
WIRELEADS	IF BLANK*	FOLLOW LED SPECIFICATION
	05	5V
	12	12V
	24	24V

ANY CODE	DESCRIPTION
IF BLANK*	NA
XXX	PER CUSTOMER SPECIAL REQUEST

**MECHANICAL CHARACTERISTICS:**  
 SWITCH CIRCUITRY: SPDT-DB  
 SWITCH ACTION: MOMENTARY (PER CHART)  
 PRE-TRAVEL: 1.27 mm NOMINAL  
 OVER-TRAVEL: 0.254 mm NOMINAL  
 TOTAL TRAVEL: 1.524 mm NOMINAL  
 OPERATING FORCE: 525 g [ 5.15 N] NOMINAL  
 RELEASING FORCE: 340 g [ 3.45 N] NOMINAL  
 PANEL THICKNESS: 0.5 - 3.0mm



SCHEMATIC

CONTACTS: SILVER  
 NUT TORQUE FORCE: MAX 6 kgf\*cm [5.2 LB\*in]

**ELECTRICAL LIFE :**  
 5A@28VDC, 25K CYCLES NOMINAL.  
**MECHANICAL LIFE:**  
 MOMENTARY: 1,000,000 CYCLES NOMINAL.

**ENVIROMENTAL SPECIFICATIONS:**  
 OPERATING TEMPERATURE: -40°F to +185°F [-40°C to +85°C]  
 IP67

**ELECTRICAL SPECIFICATIONS :**  
 DIELECTRIC STRENGTH: 1,000VAC  
 INSULATION RESISTANCE: 1G OHM  
 CONTACT RESISTANCE:  
 50m/250m OHMS MAX INITIAL (NON-WIRELEAD/WIRELEADS)

**LED SPECIFICATIONS & WIRELEADS SPECIFICATIONS:**  
 SEE LED SPECIFICATION  
 SEE WIRELEADS SPECIFICATION

**CERTIFICATION: UL 61058**

**\* NOTE:**  
 1. SUPPLY HEX NUT AND SEALING WASHER BULK IN PACKED

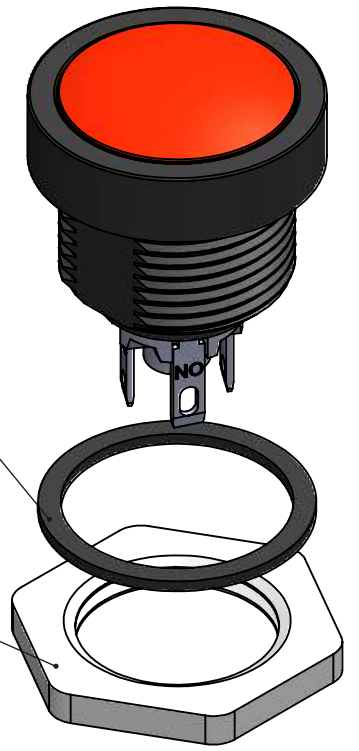
LED SPECIFICATION				
LED CODE	LED Color	CIRCUITRY	Vf(VDC) Color	If (mA)
R	RED		1.8 ~ 2.5	20
B	BLUE		2.8 ~ 3.5	20
G	GREEN		2.8 ~ 3.5	20
Y	YELLOW		1.8 ~ 2.5	20
W	WHITE		2.8 ~ 3.5	20

Notes:  
 1.) Hand Soldering Temperature (4mm above from Body) : 320°C for 3 seconds

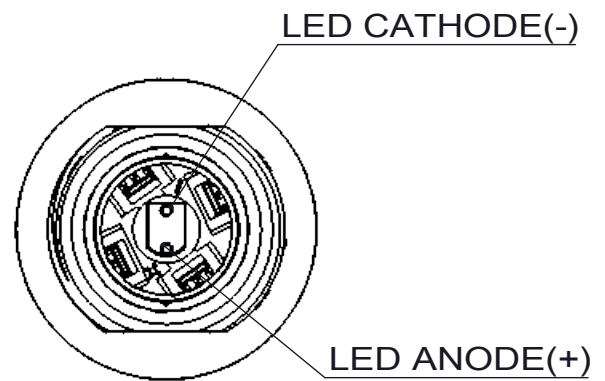
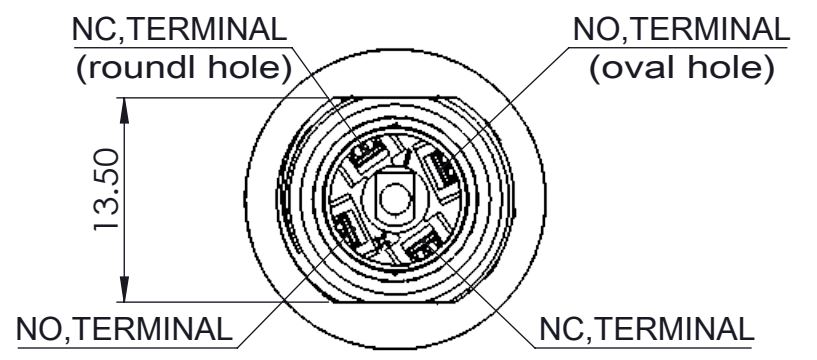
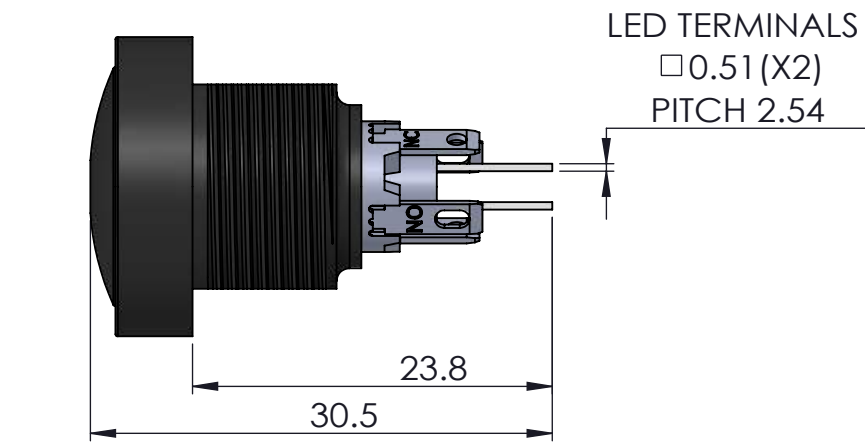
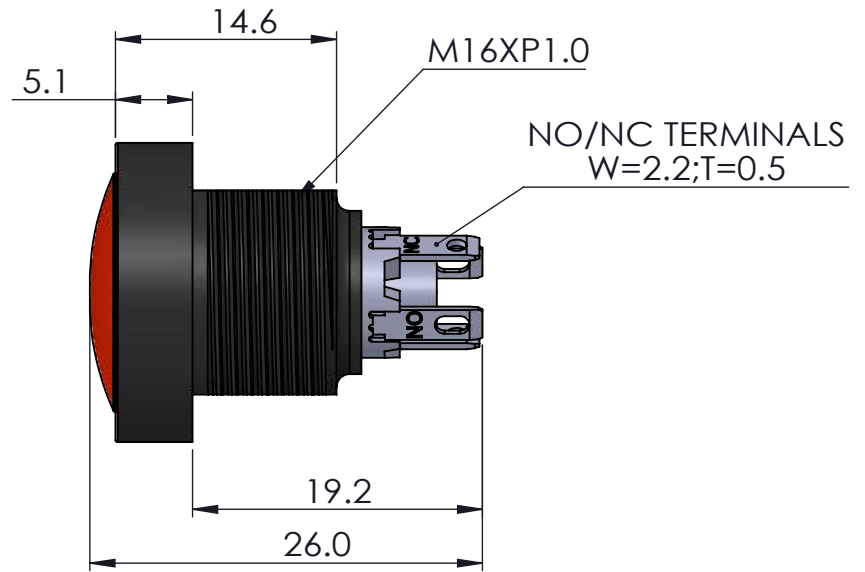
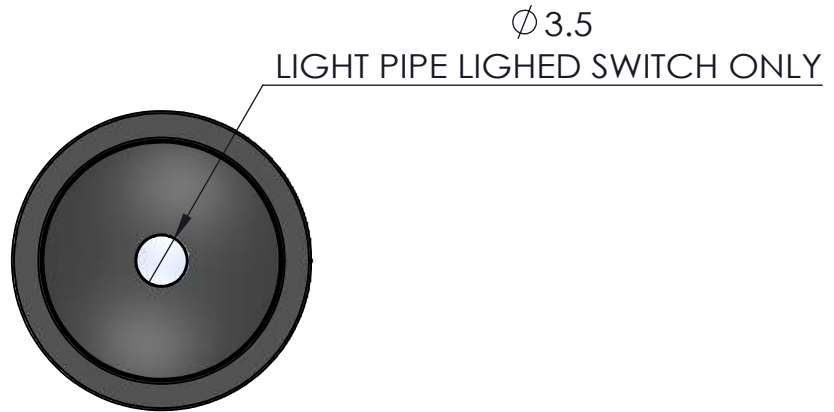
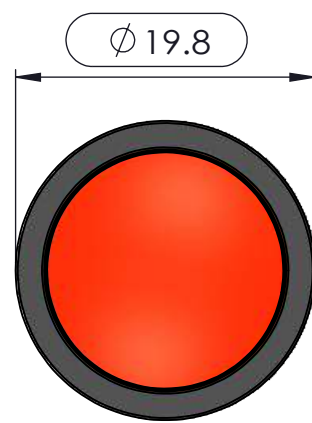
WIRELEADS SPECIFICATION					
WIRELEADS TYPE	WIRELEADS SPECIFICATION	SW TERMINAL	SW TERMINAL	LED COLOR	
		NO	NC	+	-
ILLUMINATION	SW : AWG24 / UL1007 LED: AWG26/UL1007	BLUE	YELLOW	RED	BLACK
NON-ILLUMINATION		BLUE	YELLOW	-	-

SEALING WASHER ; T=0.80

SPECIAL HEX NUT  
 HEX 22, T=2.30

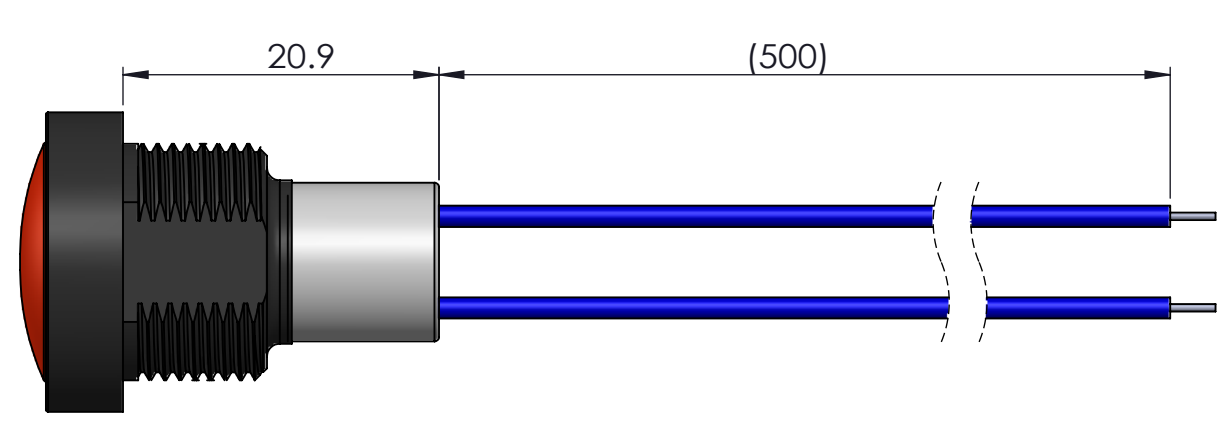
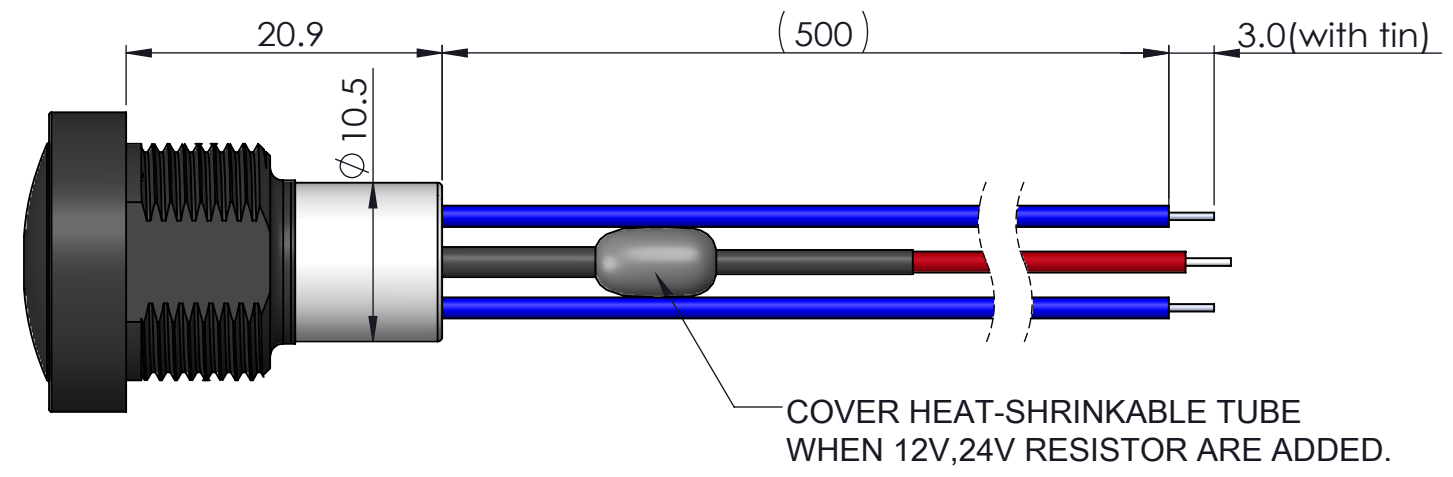


DWG TYPE SALES DRAWING	DRAWN <i>H.W.</i>	TOLERANCES: UNLESS OTHERWISE NOTED X.X ± 0.5 X.XX ± 0.2 ANGULAR ± 5°	DWG TITLE WSA50-MECHANICAL MOMENTARY							
STATUS RELEASE	REVIEW <i>H.W.</i>	THIRD ANGLE PROJECTION 	DWG NO. WSA50-1,A,C,E							
<small>This document is the intellectual property of ITW Electronic Business Asia Co., Limited and may contain confidential, proprietary, privileged information protected by law. Neither this document nor any information it contains can be reproduced, transformed to any other format, or distributed, without written permission by ITW Electronic Business Asia Co., Limited.                  本文件為安達維百電有限公司之智慧財產，非經許可不得翻取、複製、轉變成其他形式使用或散佈</small>			DATE 2018.10.16	REF: ---	<input checked="" type="checkbox"/> 管制文件 <input type="checkbox"/> 非管制文件	Unit mm	SCALE 2 : 1	REV 3	RoHS Compliant	SHEET 1 OF 3



**ILLUMINATION**

**NON-ILLUMINATION**



DWG TYPE SALES DRAWING	DRAWN <i>H.W.</i>	TOLERANCES: UNLESS OTHERWISE NOTED X.X ± 0.5 X.XX ± 0.2 ANGULAR ± 5°	DWG TITLE WSA50-MECHANICAL MOMENTARY							
STATUS RELEASE	REVIEW <i>H.W.</i>	THIRD ANGLE PROJECTION 	DWG NO. WSA50-1,A,C,E							
<small>This document is the intellectual property of ITW Electronic Business Asia Co., Limited and may contain confidential, proprietary, privileged information protected by law. Neither this document nor any information it contains can be reproduced, transformed to any other format, or distributed, without written permission by ITW Electronic Business Asia Co., Limited.          本文件為安達亞電器股份有限公司之智慧財產，非經許可不得翻取、複製、轉變成其他形式使用或散佈。</small>			DATE 2018.10.16	REF: ---	<input checked="" type="checkbox"/> 管制文件 <input type="checkbox"/> 非管制文件	Unit mm	SCALE 2 : 1	REV 3	RoHS Compliant	SHEET 2 OF 3