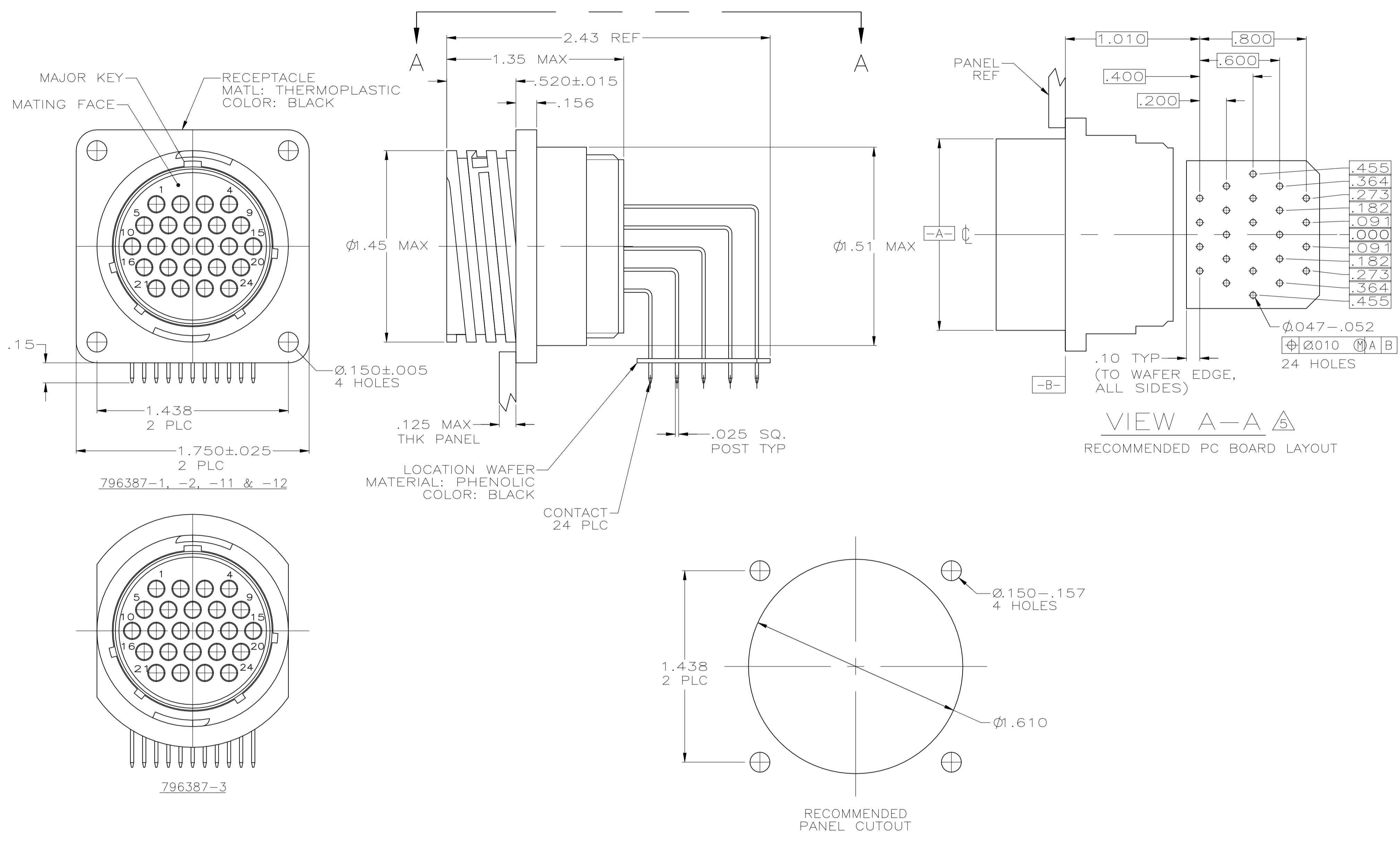


REVISIONS					
P	LTR	DESCRIPTION	DATE	DWN	APVD
C2		REVISED PER ECR-22-150475	26AUG2022	RK	MZ



- 1 CONTACT CAVITIES IDENTIFIED BY CHARACTERS ON FRONT AND REAR FACES OF CONNECTOR.
- 2 #6 FASTENER RECOMMENDED FOR MOUNTING.
- ⚠ CONTACT BODY: .000100 MIN TIN-LEAD OVER .000050 MIN NICKEL. CONTACT POST: .000100 MIN TIN-LEAD OVER .000100 MIN COPPER.
- ⚠ CONTACT BODY: .000030 MIN GOLD FOR A LENGTH OF .250 MIN FROM MATING END, WITH REMAINDER TO BE GOLD FLASH, BOTH OVER .000050 MIN NICKEL. CONTACT POST: .000100 MIN TIN-LEAD OVER .000100 MIN COPPER.
- ⚠ PC BOARD HOLE PATTERN IS DEFINED RELATIVE TO CONNECTOR C.L.
- ⚠ FREE HANGING RECEPTACLE.
- ⚠ CONTACT BODY: .000100 MIN TIN OVER .000050 MIN NICKEL. CONTACT POST: .000100 MIN TIN OVER .000100 MIN COPPER.
- ⚠ CONTACT BODY: .000030 MIN GOLD FOR A LENGTH OF .250 MIN FROM MATING END, WITH REMAINDER TO BE GOLD FLASH, BOTH OVER .000050 MIN NICKEL. CONTACT POST: .000100 MIN TIN OVER .000100 MIN COPPER.

NOTES	CONTACT FINISH	PART NUMBER
		1-796387-2
		1-796387-1
OBSELETE	⚠	-796387-3
OBSELETE	⚠	796387-2
OBSELETE	⚠	-796387-1

THIS DRAWING IS A CONTROLLED DOCUMENT.

DIMENSIONS: INCHES	TOLERANCES UNLESS OTHERWISE SPECIFIED:	DIN HAMNER 4-2-00	APVD M.CHACKO 4-4-00	NAME
$\phi$	0 PLC ± -	APVD M.CHACKO 4-4-00	NAME	RECEPTACLE ASSY, POSTED, RT ANGLE, STD SEX, SIZE 23-24, SERIES 1, CPC
	1 PLC ± -	APPLICATION SPEC	SIZE	CAGE CODE
	2 PLC ± .03	WEIGHT	A1	00779
	3 PLC ± .010	CUSTOMER DRAWING	SCALE	2:1
	4 PLC ± -		SHEET	1 of 1
	ANGLES ± -		REV	C2

TE Connectivity