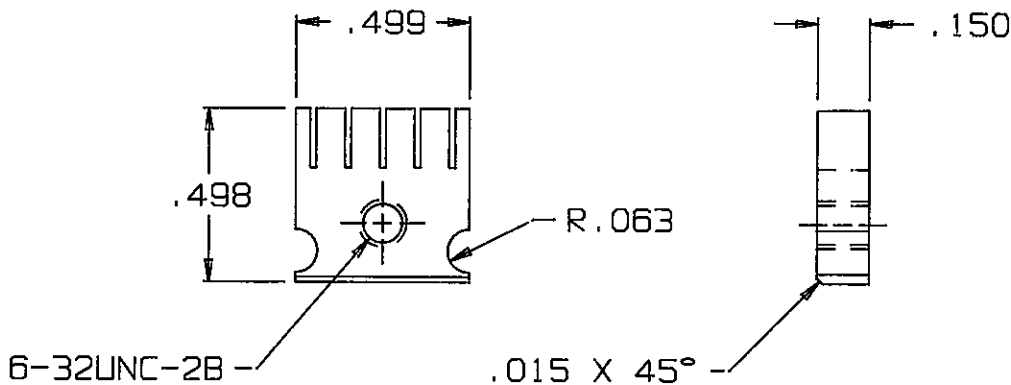


LDC AD	DIST 47	REVISIONS			
P	LTR	DESCRIPTION	DATE	OWN	APVD
	A	REVISED & REDRAWN PER EC 0430-0387-97	10-27-97	JG	BE



RELEASED FOR PUBLICATION

THIS DRAWING IS UNPUBLISHED.

BY AMP INCORPORATED. ALL RIGHTS RESERVED.

© COPYRIGHT 19

767530-1
PART
NUMBER

DIMENSIONS: INCHES	OWN J. GERACE	10-27-97	MATERIAL	TOOL STEEL	FINISH	-
	CHK R. ELICKER	10-27-97	AMP AMP Incorporated Harrisburg, PA 17105-3608			
TOLERANCES UNLESS OTHERWISE SPECIFIED:	APVD A. MONK	10-27-97				
0 PLC ±-	PRODUCT SPEC	-	NAME DIE INSERT			
1 PLC ±-	APPLICATION SPEC	-				
2 PLC ±-	WEIGHT	-	SIZE	CAGE CODE	DRAWING NO	
3 PLC ±.005	CUSTOMER DRAWING	-	A4	00779	C= 767530	
4 PLC ±-			SCALE	2:1	SHEET	1 OF 1
ANGLES ±-						

