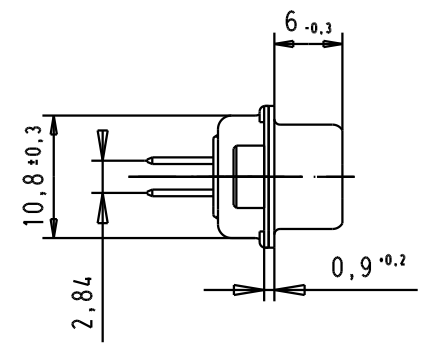
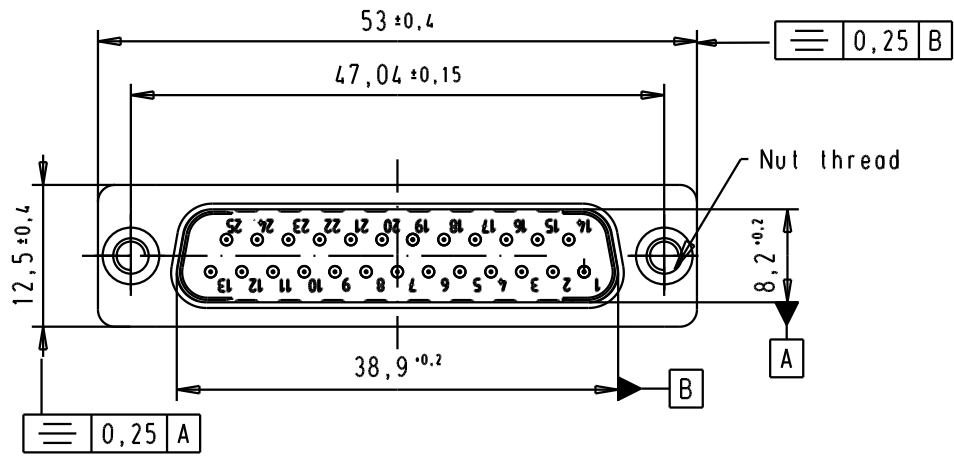


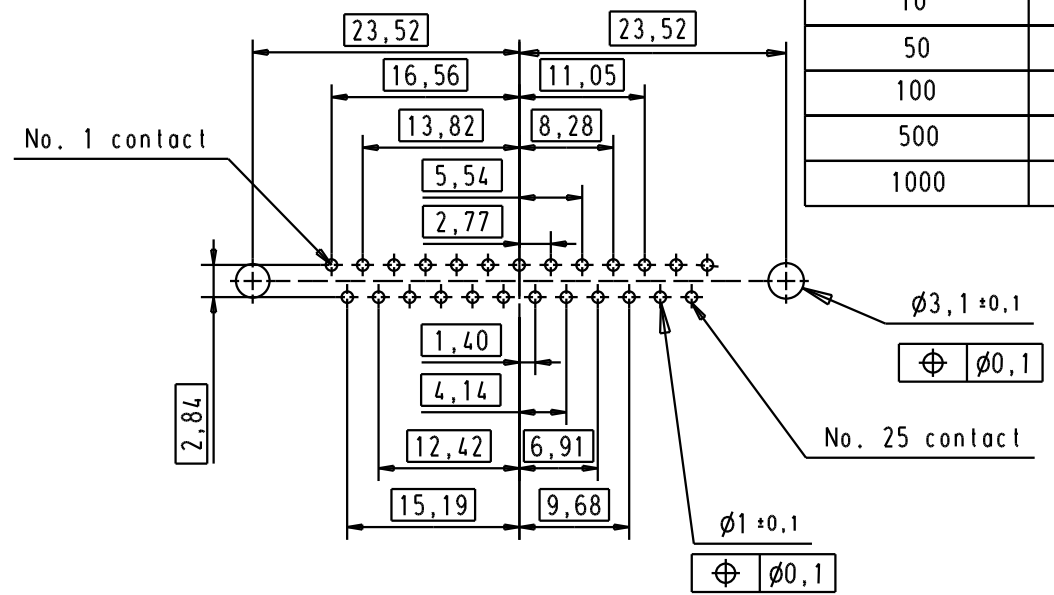
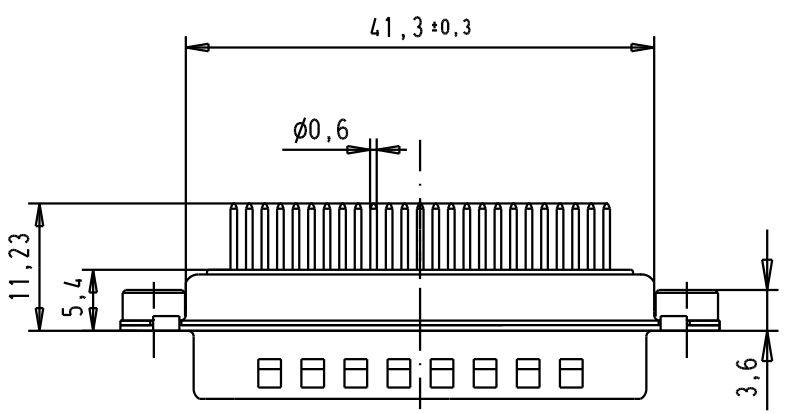
SPECIFICATION

| | |
|-----------------------|------------|
| Mating Cycles | 500 |
| Filter type | C |
| Capacitance | 1000pf±20% |
| Working Voltage | 100v |
| Current Rating | 7.5A |
| Insulation Resistance | >1GΩ |

| FREQUENCY (MHz) | ATTENUATION (dB) |
|-----------------|------------------|
| 5 | 1dB |
| 10 | 3dB |
| 50 | 12dB |
| 100 | 20dB |
| 500 | 34dB |
| 1000 | 30dB |



PCB Layout, Component side



| | | | | | | | | | | | | | | | | | | | |
|-------------|------------|-------|----------|------|--|--|---------|----------------|----------------------|-------|--|--|--------|--|--|--|--|--|-----------------------------|
| | | | | | <table border="1"> <tr> <td>Detail.</td> <td>Dat.</td> <td>Name</td> </tr> <tr> <td>Insp.</td> <td></td> <td></td> </tr> <tr> <td>Stand.</td> <td></td> <td></td> </tr> </table> | | Detail. | Dat. | Name | Insp. | | | Stand. | | | | | D-Sub, male, straight, 25 Poles, solder pins, tin plated shell with dimples and clinch nuts | Mo?Mstab/ Scale 1.5:1 |
| Detail. | Dat. | Name | | | | | | | | | | | | | | | | | |
| Insp. | | | | | | | | | | | | | | | | | | | |
| Stand. | | | | | | | | | | | | | | | | | | | |
| | | | | | All Dim. in mm Orig. Size DIN A 4 | | | | | | | | | | | | | | |
| 09643227238 | M3 | 33079 | 29/08/05 | JMDR | HARTING EURL F-95972 Paris | | | TB 0964322723x | Blatt/ Page 3 / 3 | | | | | | | | | | |
| 09643227237 | UNC 4-40 | 31058 | 8-JUL-02 | CV | | | | | | | | | | | | | | | |
| Part number | Nut thread | Mod. | Dat. | Name | Sub. | | | | | | | | | | | | | | |