

RF CHARACTERISTICS

Frequency range : **0 - 12.4 GHz**
 Impedance : **50 Ohms**

| Frequency (GHz) | DC - 1 | 1 - 2 | 2 - 3 | 3 - 8 | 8 - 12.4 |
|--------------------|----------------|----------------|----------------|----------------|----------------|
| VSWR max | 1.15 | 1.20 | 1.25 | 1.35 | 1.50 |
| Insertion loss max | 0.15 dB | 0.20 dB | 0.25 dB | 0.35 dB | 0.50 dB |
| Isolation min | 85 dB | 80 dB | 75 dB | 70 dB | 60 dB |
| Average power (*) | 700 W | 500 W | 400 W | 250 W | 200 W |

ELECTRICAL CHARACTERISTICS

Actuator : **FAILSAFE**
 Nominal current ** : **340 mA**
 Actuator voltage (Vcc) : **12V (10.2 to 13V)**
 Terminals : **9 pins D-SUB male connector**
 Indicator rating : **1 W / 30 V / 100 mA**
 TTL inputs (E) - High level : **2.2 to 5.5 V / 800µA at 5.5 V**
 - Low level : **0 to 0.8 V / 20µA at 0.8 V**

MECHANICAL CHARACTERISTICS

Connectors : **N female per MIL-C 39012**
 Life : **2.5 million cycles**
 Switching Time*** : **< 15 ms**
 Construction : **Splashproof**
 Weight : **< 215 g**

ENVIRONMENTAL CHARACTERISTICS

Operating temperature range : **-40°C to +85°C**
 Storage temperature range : **-55°C to +85°C**

(* Average power at 25°C per RF Path)

(** At 25° C ±10%)

(*** Nominal voltage ; 25° C)



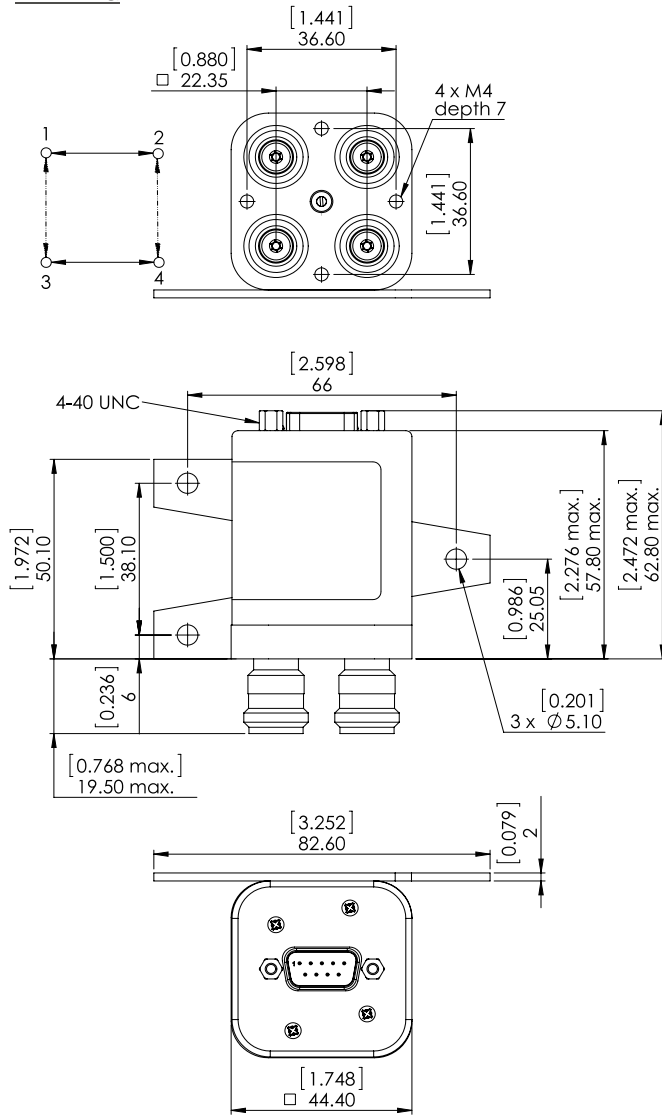
PAGE 2/2

ISSUE 22-03-22

SERIE : DPDT

PART NUMBER : R577122105

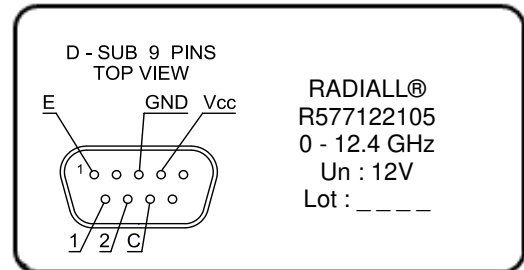
DRAWING



General tolerances : ±0,5 mm [0,02 in]

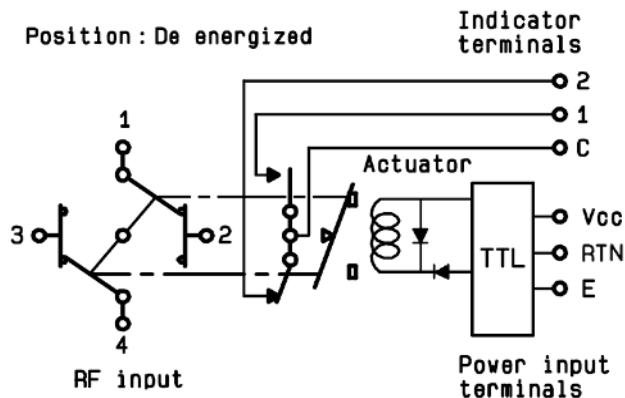


LABEL



SCHEMATIC DIAGRAM

Position : De energized



| TTL input | RF Continuity | Ind. |
|-----------|---------------|------|
| E = 1 | 1 ↔ 3 / 2 ↔ 4 | C.1 |
| E = 0 | 1 ↔ 2 / 3 ↔ 4 | C.2 |