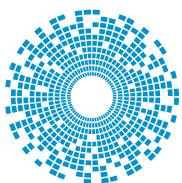


High Temperature Dura-Con™ Micro-D 175°C Plug and PCB Connectors

High reliability connectors for military, oil and gas applications

Our product engineering and development activities employ cutting edge technologies, and our various technologies and expertise enable us to deliver the right solutions and products to meet your application needs.



cinch
CONNECTIVITY SOLUTIONS
a bel group

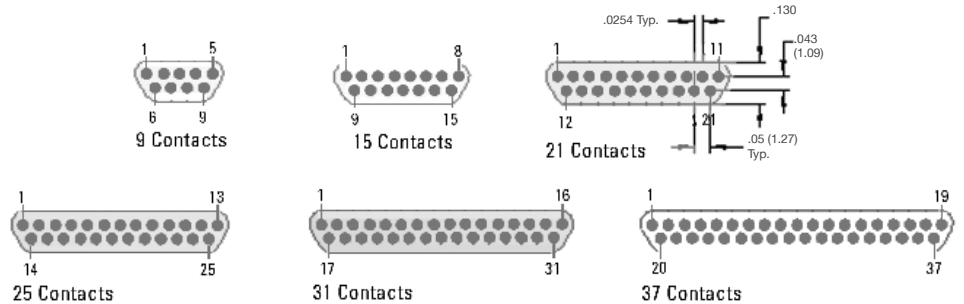
Dura-Con™ DCHM Solder Cup with Wire

| No. of Contacts | | A Max. | | B Max. | | C Max. | | D Nominal | |
|-----------------|--------|--------|-------|--------|-------|--------|-------|-----------|-------|
| | | In. | mm. | in. | mm. | in. | mm. | in. | mm. |
| 9 | Plug | 0.785 | 19.94 | 0.334 | 8.48 | 0.400 | 10.16 | 0.565 | 14.35 |
| | Socket | 0.785 | 19.94 | 0.397 | 10.08 | 0.400 | 10.16 | 0.565 | 14.35 |
| 15 | Plug | 0.935 | 23.74 | 0.484 | 12.29 | 0.550 | 13.97 | 0.715 | 18.16 |
| | Socket | 0.935 | 23.74 | 0.547 | 13.89 | 0.550 | 13.97 | 0.715 | 18.16 |
| 21 | Plug | 1.085 | 27.56 | 0.634 | 16.10 | 0.700 | 17.78 | 0.865 | 21.97 |
| | Socket | 1.085 | 27.56 | 0.697 | 17.70 | 0.700 | 17.78 | 0.865 | 21.97 |
| 25 | Plug | 1.185 | 30.10 | 0.734 | 18.64 | 0.800 | 20.32 | 0.965 | 24.51 |
| | Socket | 1.185 | 30.10 | 0.797 | 20.24 | 0.800 | 20.32 | 0.965 | 24.51 |
| 31 | Plug | 1.335 | 33.97 | 0.884 | 22.45 | 0.950 | 24.13 | 1.115 | 28.32 |
| | Socket | 1.335 | 33.97 | 0.947 | 24.05 | 0.950 | 24.13 | 1.115 | 28.32 |
| 37 | Plug | 1.485 | 37.72 | 1.034 | 26.26 | 1.100 | 27.94 | 1.265 | 32.13 |
| | Socket | 1.485 | 37.72 | 1.097 | 27.86 | 1.100 | 27.94 | 1.265 | 32.13 |

Contact Arrangements

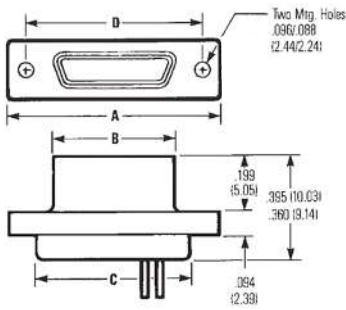
Face View of Pin Insert

(use reverse order for socket side)

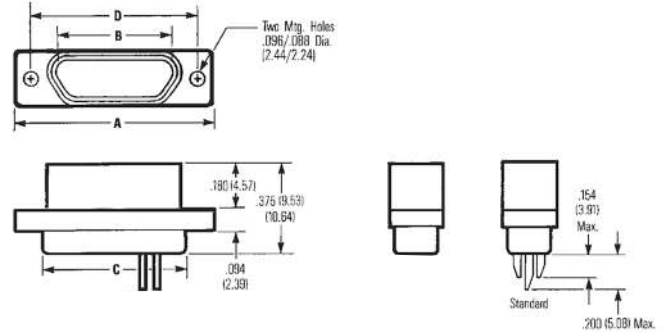


Shell Dimensions

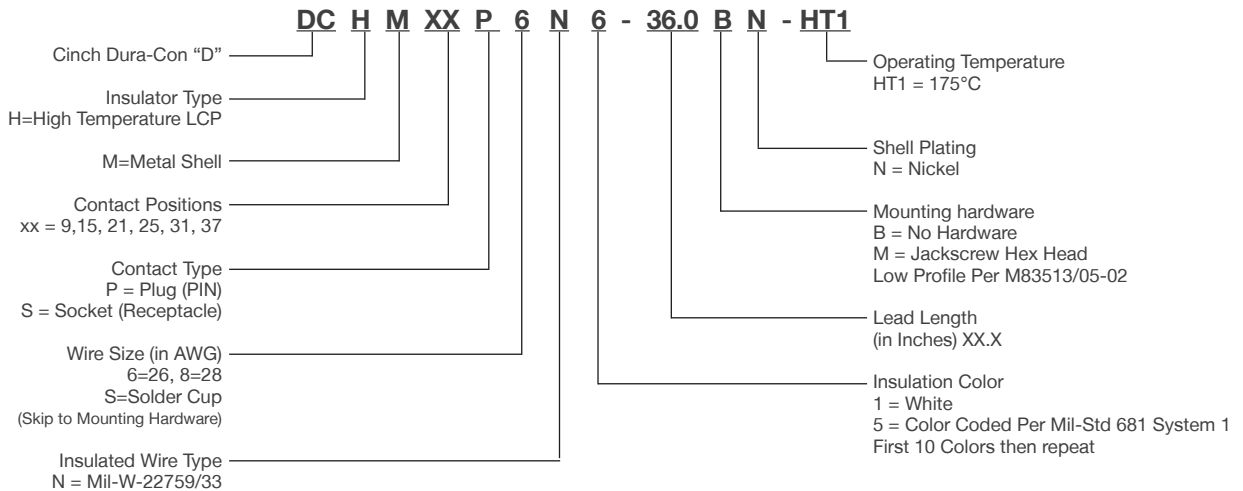
Plug



Socket



How to Order



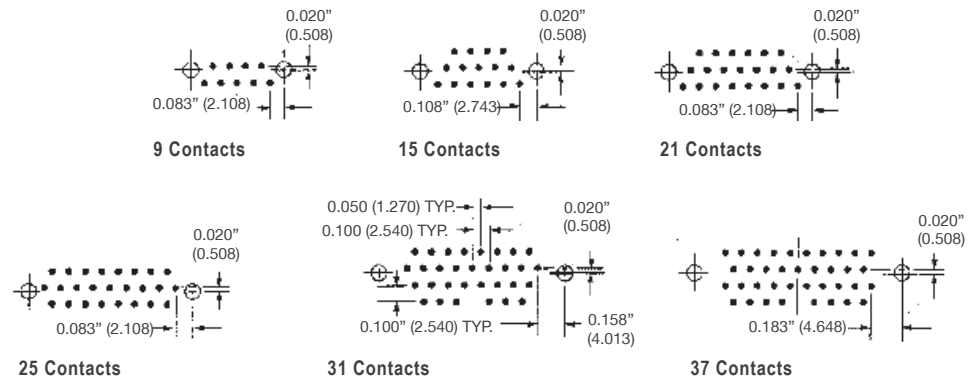
Dura-Con™ DCHM PCB Sockets

| No. of Contacts | A Max. | | B | | C | | D Max. | |
|-----------------|--------|--------|-------|--------|-------|-------|--------|--------|
| | In. | mm. | in. | mm. | in. | mm. | in. | mm. |
| 9 Socket | 0.785 | 19.940 | 0.565 | 14.350 | 0.230 | 5.840 | 0.420 | 10.670 |
| 15 Socket | 0.935 | 23.750 | 0.715 | 18.160 | 0.130 | 3.300 | 0.420 | 10.670 |
| 21 Socket | 1.085 | 27.560 | 0.865 | 21.970 | 0.130 | 3.300 | 0.420 | 10.670 |
| 25 Socket | 1.185 | 30.100 | 0.965 | 24.510 | 0.130 | 3.300 | 0.420 | 10.670 |
| 31 Socket | 1.335 | 33.910 | 1.115 | 28.320 | 0.130 | 3.300 | 0.520 | 13.210 |
| 37 Socket | 1.485 | 37.720 | 1.265 | 32.130 | 0.130 | 3.300 | 0.520 | 13.210 |

Termination Arrangements

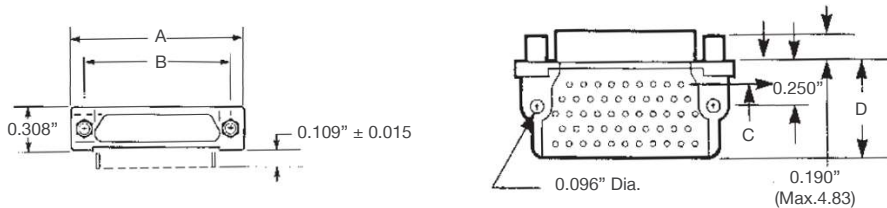
Per MIL-DTL-83513

(as viewed from bottom of terminal block)

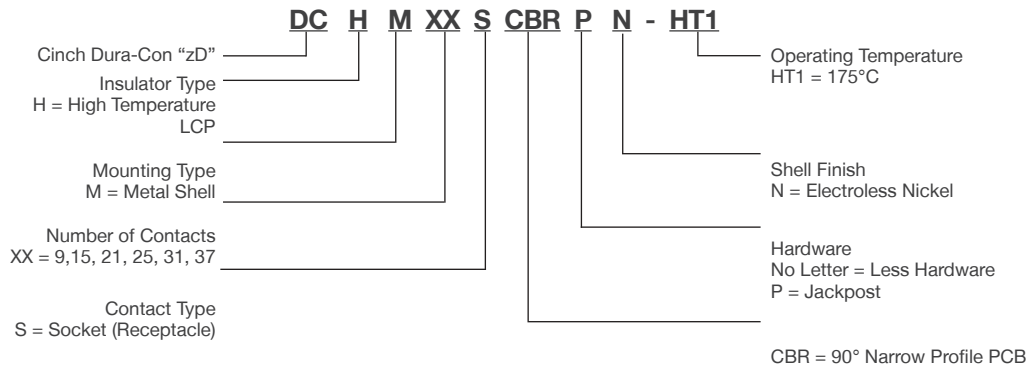


Shell Dimensions

90° Narrow Termination Socket



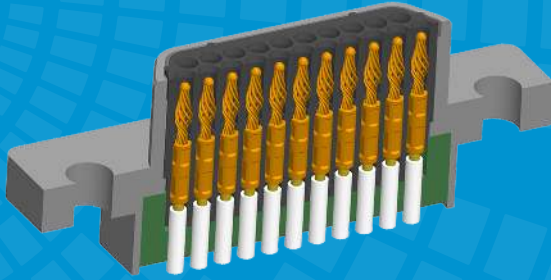
How to Order



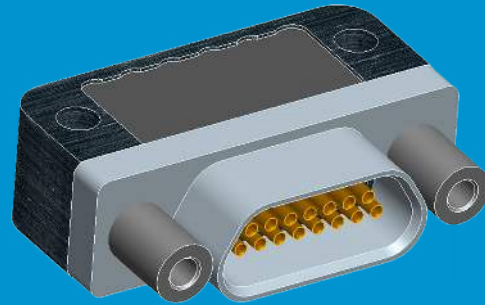
Connection Technology

Our DCHM Dura-Con™ products are capable of meeting the extreme mechanical and electrical needs in the harshest environments of military/aerospace and industrial applications, such as downhole drilling. Cinch has teamed our proven twist pin technology with unique plug insulators that provide increased electrical protection between cavities.

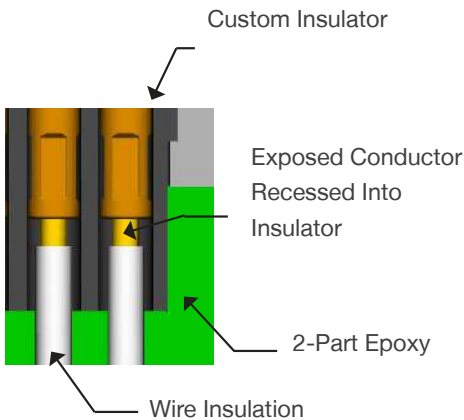
These plugs mate to our right angle PCB socket connectors, to make a connector system that offers superior performance. This technology also provides the confidence and reliability needed in high temperature, vibration and shock applications.



Dura-Con™ Plug (pin)



Dura-Con™ PCB Connector (socket)



Detail of Dura-Con™ Twist Pin

Product Offerings

- Sizes: 9, 15, 21, 25, 31 and 37 (contact factory for larger sizes).
- Full harnessing capabilities ranging from simple point-point to complex with many branches
- Custom configurations and modifications available to fit unique packaging and design requirements

Performance Characteristics

- Operating Temperature: -55°C to 175°C
- Shock: 50 G's per MIL-STD-1344, Method 2004, Condition E (EIA-364-27, Condition E)
- Vibration: 20 G's per MIL-STD-1344, Method 2005, Condition IV (EIA-364-28, Condition IV)

Cinch's Twist Pin Advantage

- Combine the twist pin performance with increased temperature range
- BeCu wire strands provide seven points of electrical contact
- Achieve high mating cycles and better resistance to shock and vibration
- Approved system applications (Aerospace, Defense and Geo-Thermal)
- Qualified and approved to Mil-DTL-83513



+1 630.705.7524
inquiry@us.cinch.com
cinch.com