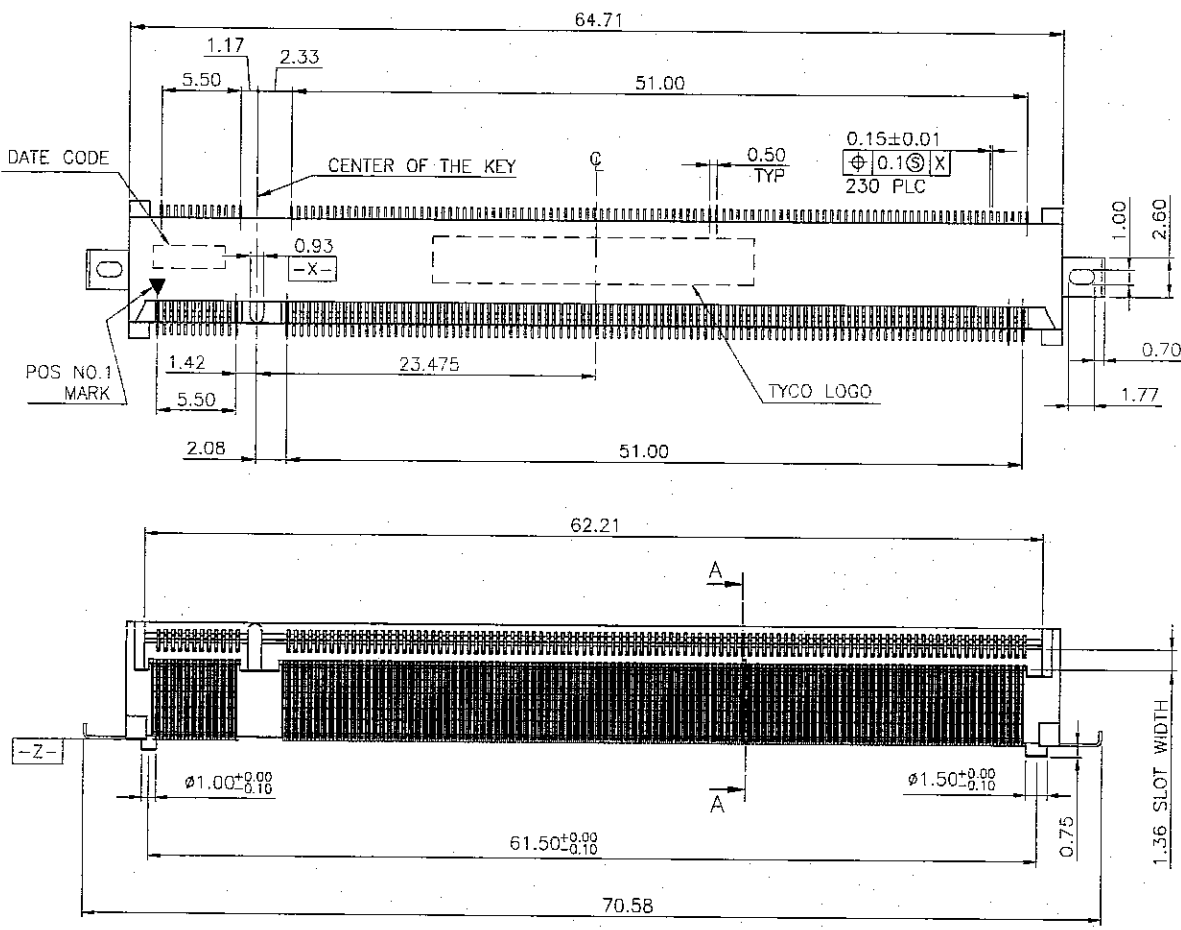


NUMBER C-1775063

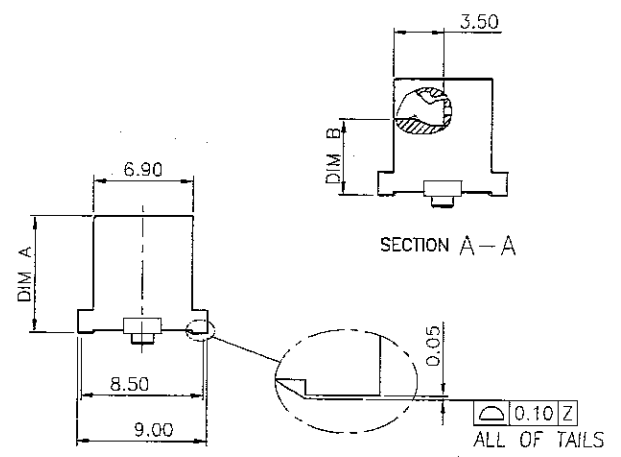
METRIC 3RD ANGLE PROJECTION

PRINT DW  
THIS INFORMATION IS CONFIDENTIAL AND IS DISCLOSED TO YOU ON CONDITION THAT NO FURTHER DISCLOSURE IS MADE BY YOU TO OTHER THAN AMP PERSONNEL WITHOUT PERMISSION FROM AMP (TAIWAN) LTD. DIMENSIONS IN MILLIMETERS. DO NOT SCALE PRINT.



NOTE:

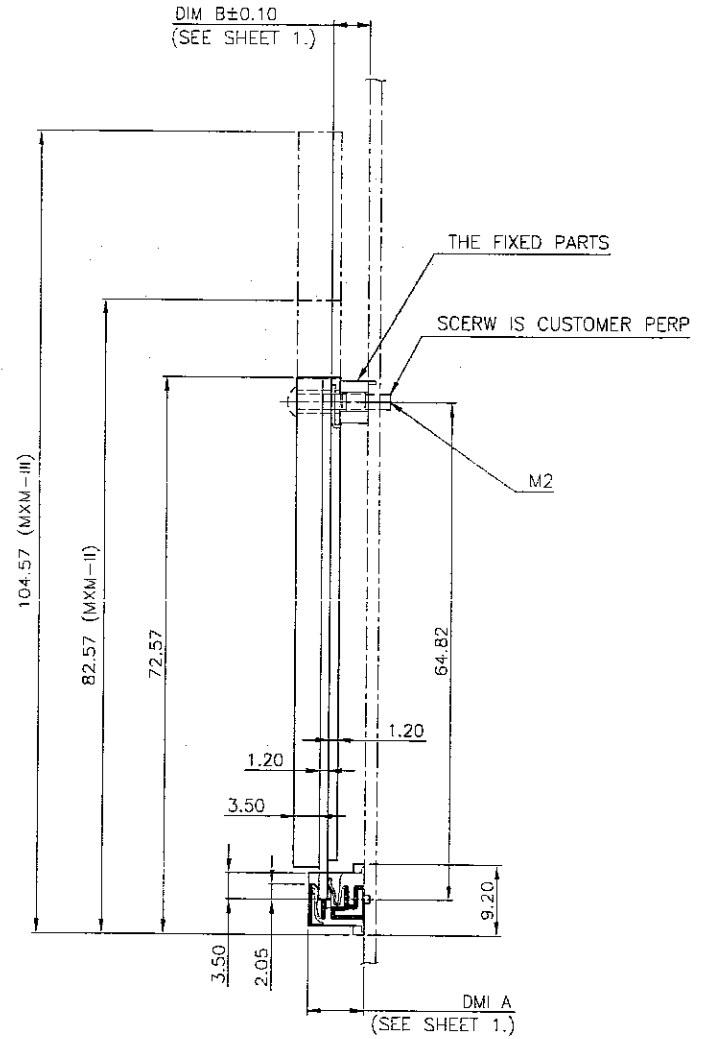
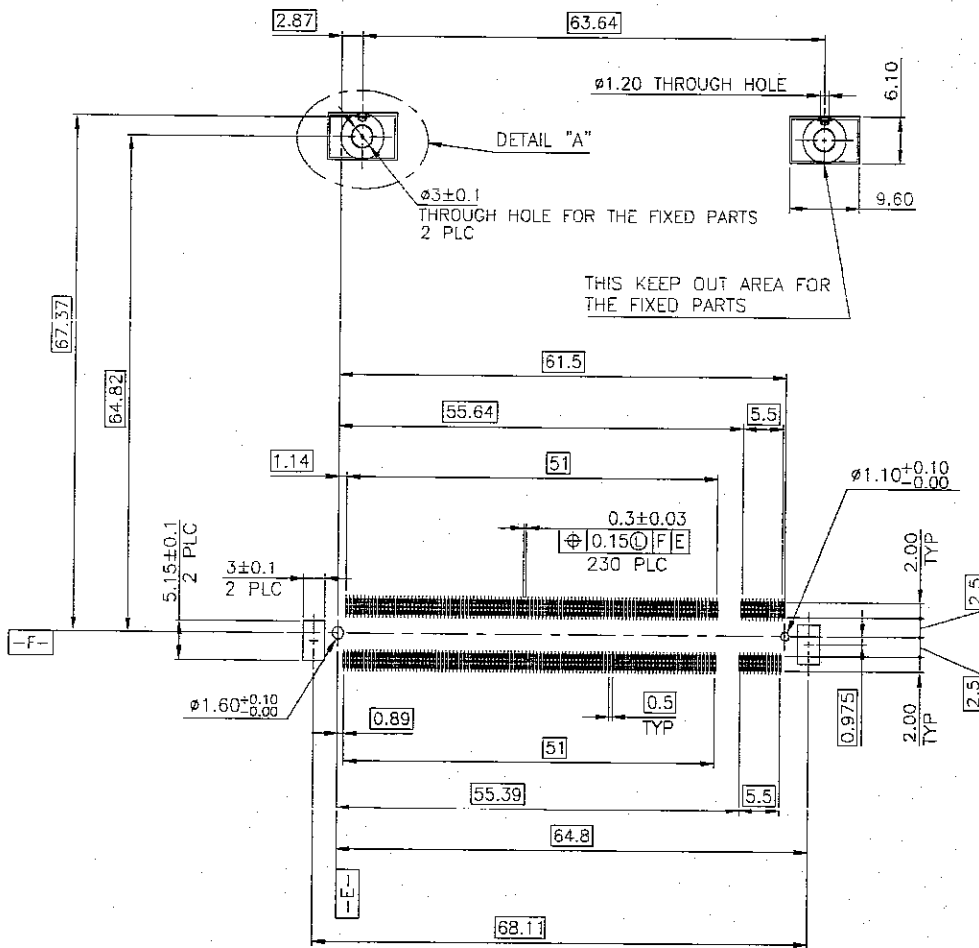
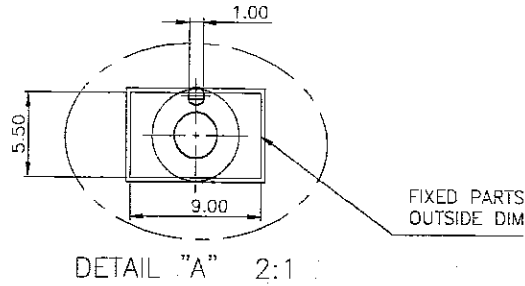
- MATERIAL:  
HOUSING: THERMOPLASTIC (LCP) WITH 30% GF, UL 94V-0, COLOR: (SEE TABLE)  
CONTACTS: PHOSPHOR BRONZE.  
SOLDER PEG: BRASS.
- FINISH:  
CONTACTS: GOLD PLATED (SEE TABLE) OVER 1.27μm [50μ"] MIN. NICKEL ON ENTIRE CONTACT.  
SOLDER PEG: 2.54μm [100μ"] MIN. MATTE-TIN OVER 1.27μm [50μ"] MIN. NICKEL.
- REFLOW SOLDER CAPABLE TO 260°C AS PER TYCO SPEC. 109-201, CONDITION B.



0.318μm [15μ"]	WHITE	3.6 g	5.18	2.7	1775063-8
	BLACK <td>5.6 g <td>7.63 <td>5.0 <td>1775063-7</td> </td></td></td>	5.6 g <td>7.63 <td>5.0 <td>1775063-7</td> </td></td>	7.63 <td>5.0 <td>1775063-7</td> </td>	5.0 <td>1775063-7</td>	1775063-7
		3.6 g <td>7.63 <td>5.0 <td>1775063-5</td> </td></td>	7.63 <td>5.0 <td>1775063-5</td> </td>	5.0 <td>1775063-5</td>	1775063-5
		3.6 g <td>5.18 <td>2.7 <td>1775063-4</td> </td></td>	5.18 <td>2.7 <td>1775063-4</td> </td>	2.7 <td>1775063-4</td>	1775063-4
	WHITE <td>5.6 g <td>7.63 <td>5.0 <td>1775063-3</td> </td></td></td>	5.6 g <td>7.63 <td>5.0 <td>1775063-3</td> </td></td>	7.63 <td>5.0 <td>1775063-3</td> </td>	5.0 <td>1775063-3</td>	1775063-3
	BLACK <td>3.6 g <td>5.18 <td>2.7 <td>1775063-2</td> </td></td></td>	3.6 g <td>5.18 <td>2.7 <td>1775063-2</td> </td></td>	5.18 <td>2.7 <td>1775063-2</td> </td>	2.7 <td>1775063-2</td>	1775063-2
		5.6 g <td>7.63 <td>5.0 <td>1775063-1</td> </td></td>	7.63 <td>5.0 <td>1775063-1</td> </td>	5.0 <td>1775063-1</td>	1775063-1
MIN. GOLD THICKNESS	HSG. COLOR	WEIGHT	DIM A	DIM B	PART NUMBER

TOLERANCES UNLESS OTHERWISE SPECIFIED:		DWN		A. WU		18-MAY-2007		tyco		Tyco Electronics Corporation	
0 PLC	±1	CHK		S. HOU		18-MAY-2007		Electronics		Taipei, Taiwan	
1 PLC	±0.3	MATERIAL		APVD		W.J. KE		NAME		BOARD TO BOARD CONNECTOR, 230 POSITION	
2 PLC	±0.3	SEE NOTE 1.		PRODUCT SPEC		108-57544		LOC		SIZE	
3 PLC	±0.25	FINISH		QUALIFICATION TEST REPORT		501-57630		DW		A <sub>3</sub>	
ANGLES	±3°	SEE NOTE 2.		WEIGHT		SEE TABLE		SCALE		SHEET	
										1 OF 4	

AW	SH	DATE	
A1	REVISE TOLERANCES	ECR-07-011799	18MAY 2007
A	REVISE PACKAGING	ECR-06-017404	19JUL 2006
0	FIRST RELEASED	---	19MAY 2005
LTR	REVISION RECORD	ECN	DWN



TOLERANCES UNLESS OTHERWISE SPECIFIED:	DWN	A. WU 18-MAY-2007	<b>tyco</b> Tyco Electronics Corporation Taipai, Taiwan
0 PLC ±	CHK	S. HOU 18-MAY-2007	NAME
1 PLC ±	APVD	W.J. KE 18-MAY-2007	BOARD TO BOARD CONNECTOR, 230 POSITION
2 PLC ± 0.25	PRODUCT SPEC		
3 PLC ±	QUALIFICATION TEST REPORT		LOC SIZE DRAWING NO DW A <sub>3</sub> C-1775063
ANGLES ±	WEIGHT		SCALE SHEET -- 2 OF 4

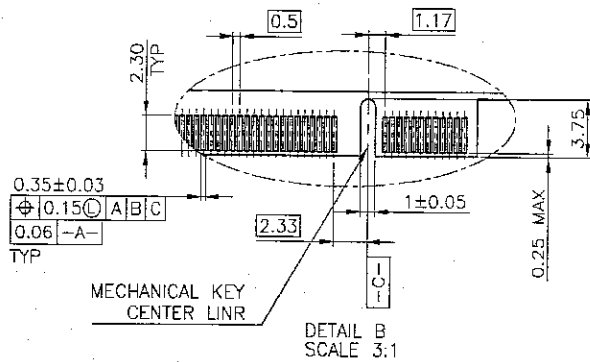
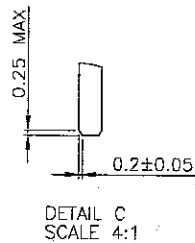
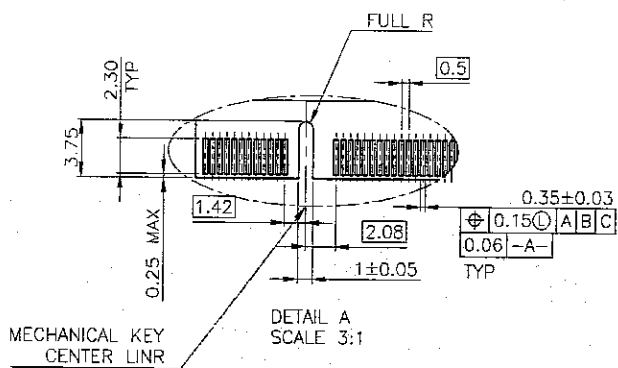
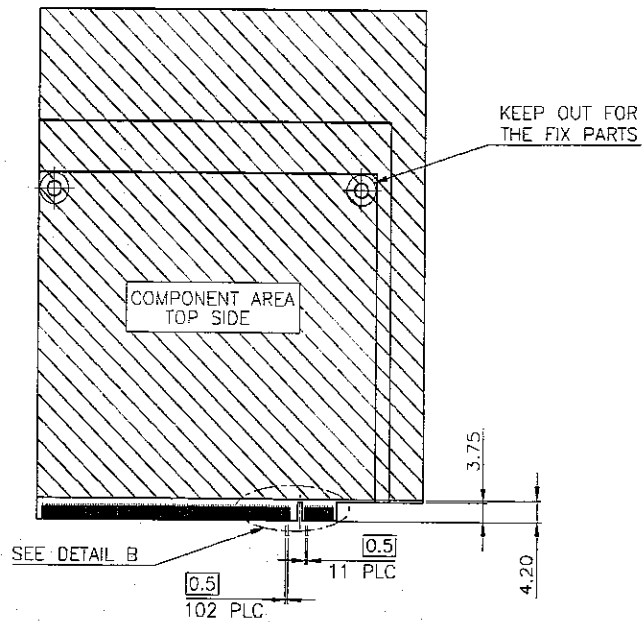
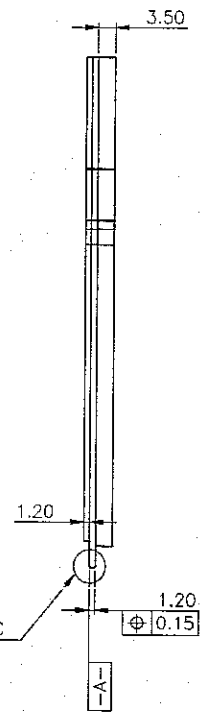
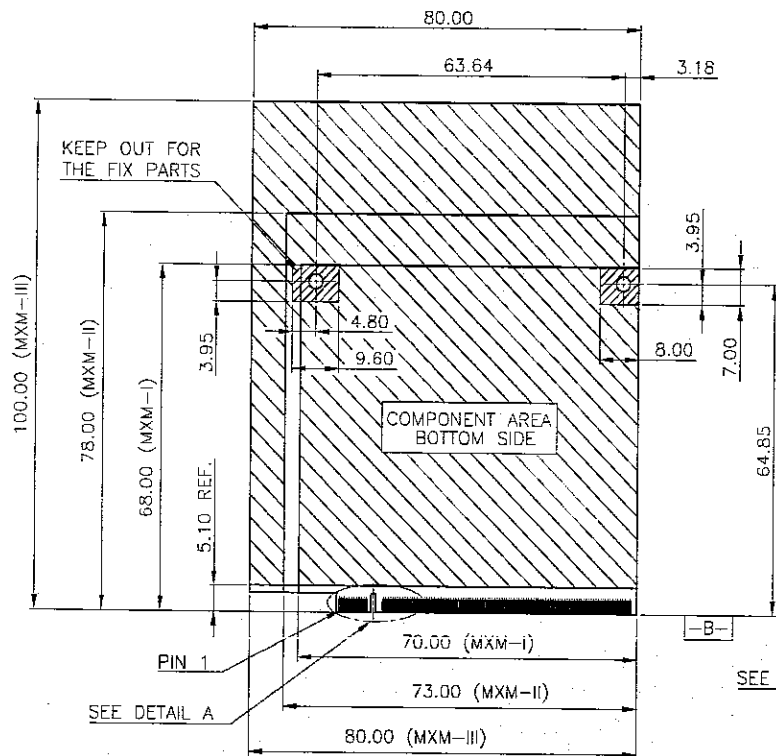
SEE SHEET 1.	ECN	DWN	CHK	DATE
LTR	REVISION RECORD			

NUMBER C-1775063



METRIC

THIS INFORMATION IS CONFIDENTIAL AND IS DISCLOSED TO YOU ON CONDITION THAT NO FURTHER DISCLOSURE IS MADE BY YOU TO OTHER THAN AMP PERSONNEL WITHOUT THE WRITTEN PERMISSION OF AMP ELECTRONICS, INC. DIMENSIONS IN MILLIMETERS. DO NOT SCALE. PRINT.



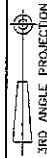
RECOMMENDED PCB MOUNT LAYOUT  
TOLERANCE ±0.05

TOLERANCES UNLESS OTHERWISE SPECIFIED:	DWN	A. WU 18-MAY-2007	<b>tyco</b> Tyco Electronics Corporation Taipei, Taiwan
0 PLC ±-	CHK	S. HOU 18-MAY-2007	<b>Electronics</b>
1 PLC ±0.3	MATERIAL	APVD	NAME
2 PLC ±0.25	FINISH	W. J. KE 18-MAY-2007	BOARD TO BOARD CONNECTOR, 230 POSITION
3 PLC ±0.2	WEIGHT	QUALIFICATION TEST REPORT	LDC SIZE DRAWING NO DW <b>A</b> <sub>3</sub> C-1775063
ANGLES ±3°			SCALE SHEET -- 3 OF 4
			REV A1

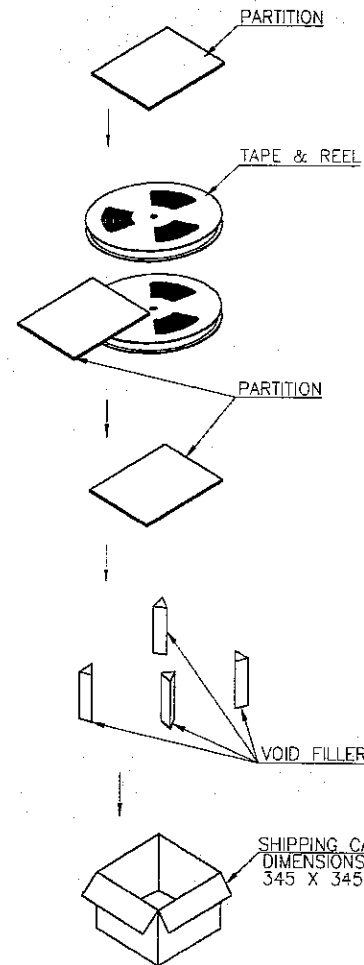
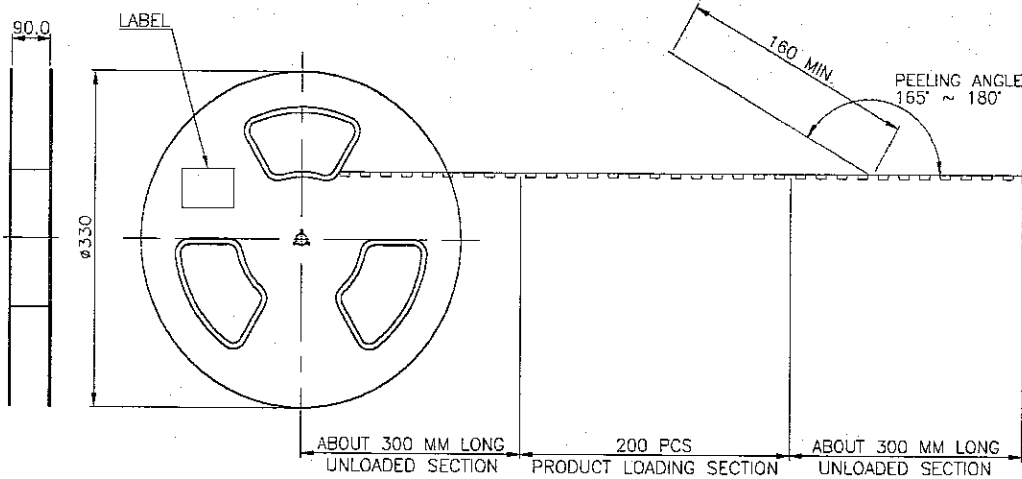
SEE SHEET 1.	ECN	DWN	CHK	DATE
REVISION RECORD				

8 7 6 5 4 3 2 1  
CUSTOMER DRAWING

NUMBER C-1775063

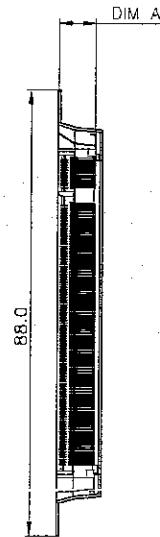
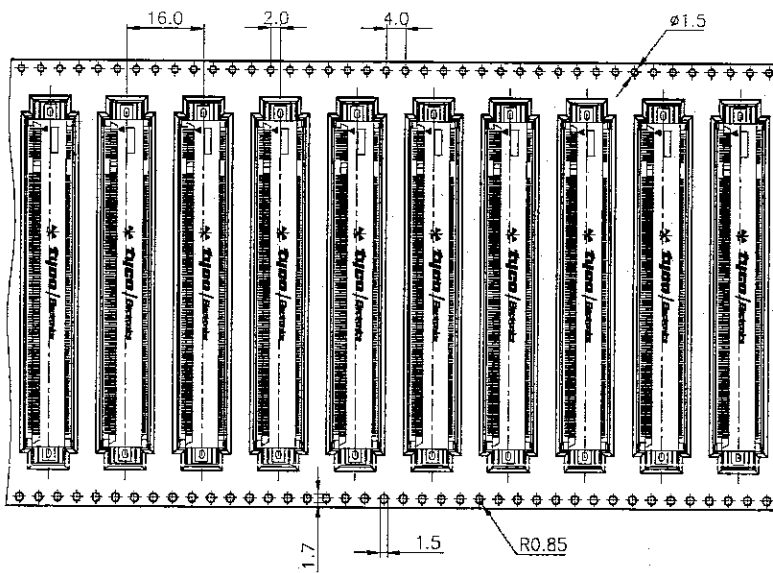


METRIC



SHIPPING CARTON DIMENSIONS: 345 X 345 X 208

USER FEED DIRECTION →



7.63	350	2	700	6.45	3.9
5.18	450		900	5.88	3.43
DIM A	PCS/REEL	REELS/CARTON	QUANTITY	G/W (KG)	N/W (KG)

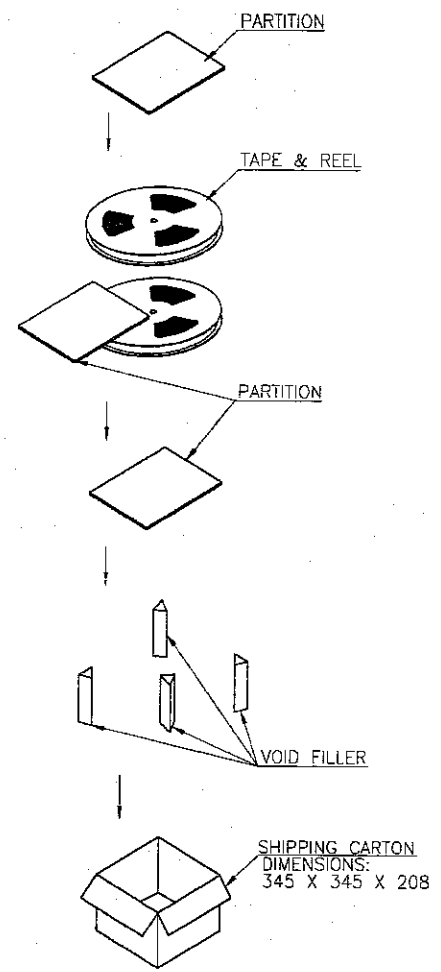
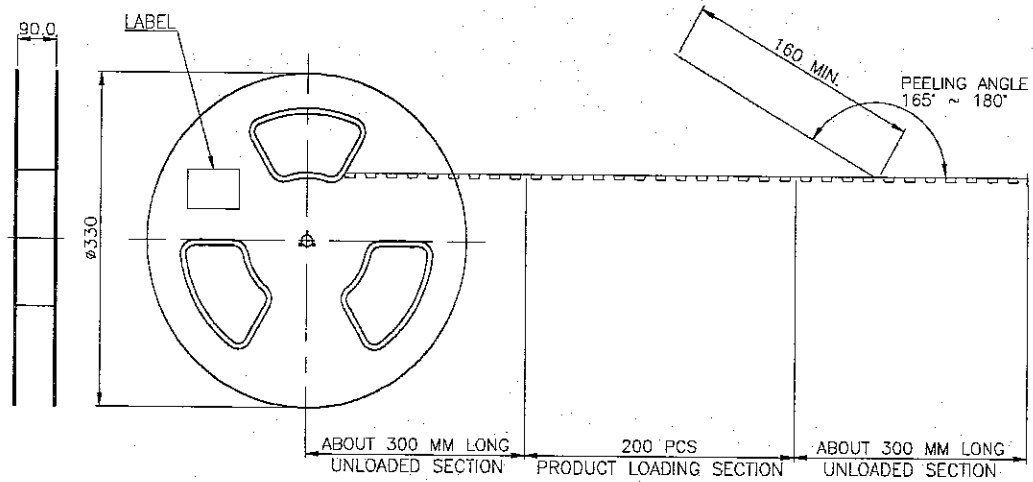
TOLERANCES UNLESS OTHERWISE SPECIFIED: 0.1 PLC 0.2 P/B 0.3 P/C 0.4 P/S ANGLES ±	DWN	A. WU 18-MAY-2007	<b>tyco</b> Tyco Electronics Corporation Taipei, Taiwan		
	CHK	S. HOU 18-MAY-2007	<b>Electronics</b> NAME		
MATERIAL	APVD	W.J. KE 18-MAY-2007	BOARD TO BOARD CONNECTOR, 230 POSITION		
FINISH	PRODUCT SPEC	-	LOC	SIZE	DRAWING NO
	QUALIFICATION TEST REPORT	-	DW	A <sub>3</sub>	C-1775063
	WEIGHT	-	SCALE	SHEET	
			--	4 OF 4	

SEE SHEET 1.	ECN	DWN	CHK	DATE
LTR	REVISION RECORD			

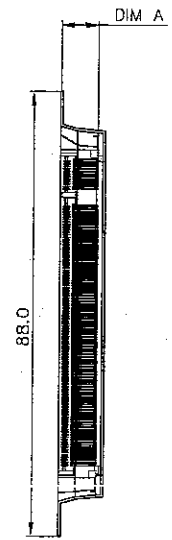
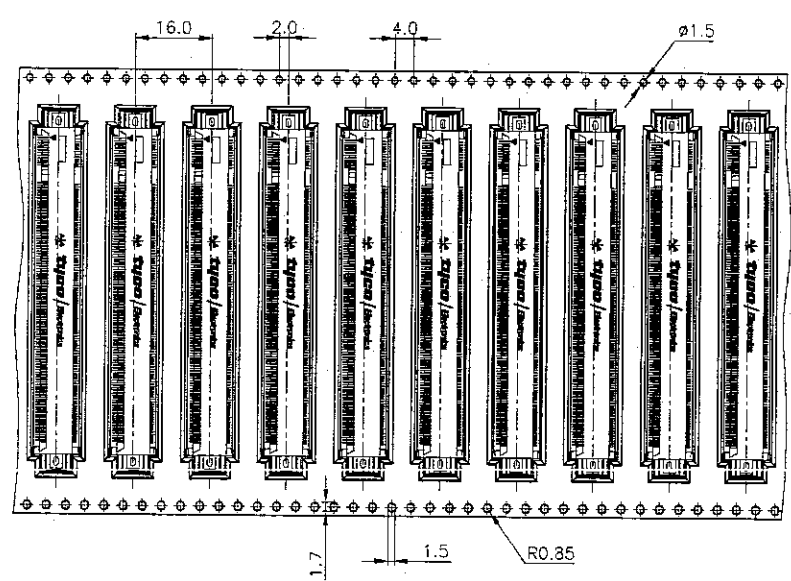
THIS INFORMATION IS CONFIDENTIAL AND IS DISCLOSED TO YOU ON CONDITIONS THAT NO FURTHER DISCLOSURE IS MADE BY YOU TO OTHER THAN AMP PERSONNEL WITHOUT WRITTEN AUTHORIZATION FROM AMP (TAIWAN) LTD. DIMENSIONS IN MILLIMETERS. DO NOT SCALE PRINT.

PRINT DW

8 7 6 5 4 3 2 1 CUSTOMER DRAWING



USER FEED DIRECTION →



7.63	350	2	700	6.45	3.9
5.18	450		900	5.88	3.43
DIM A	PCS/REEL	REELS/CARTON	QUANTITY	C/W (KG)	N/W (KG)

TOLERANCES UNLESS OTHERWISE SPECIFIED:		REMOVE BURRS, BREAK SHARP EDGE 0.4R MAX.	
ANGLES: -		DECIMALS: 0 PLC: ±- 1 PLC: ±- 2 PLC: ±- 3 PLC: ±-	
DWN	A. WUJAPVD	W.J. KE	<b>tyco</b> Electronics
CHK	S. HOUJREL		
TERMINAL	TYPE	FIRST USED	SIZE LOC NUMBER
			A3DW 1775063
			REV A1

SEE SHEET 1.		ECN	DWN/CHK	DATE
LTR	REVISION RECORD			

SCALE NAME BOARD TO BOARD CONNECTOR, 230 POSITION

THIS INFORMATION IS CONFIDENTIAL AND IS DISCLOSED TO YOU ON CONDITION THAT YOU WILL NOT DISCLOSE IT TO ANY OTHER PERSONNEL WITHOUT THE WRITTEN AUTHORIZATION OF THE COMPANY. ALL DIMENSIONS ARE IN MILLIMETERS. DO NOT SCALE PRINT.