

MODEL NUMBER
PWD-5532-02-TNC-79

NOTES:

1.0 ELECTRICAL SPECIFICATIONS:

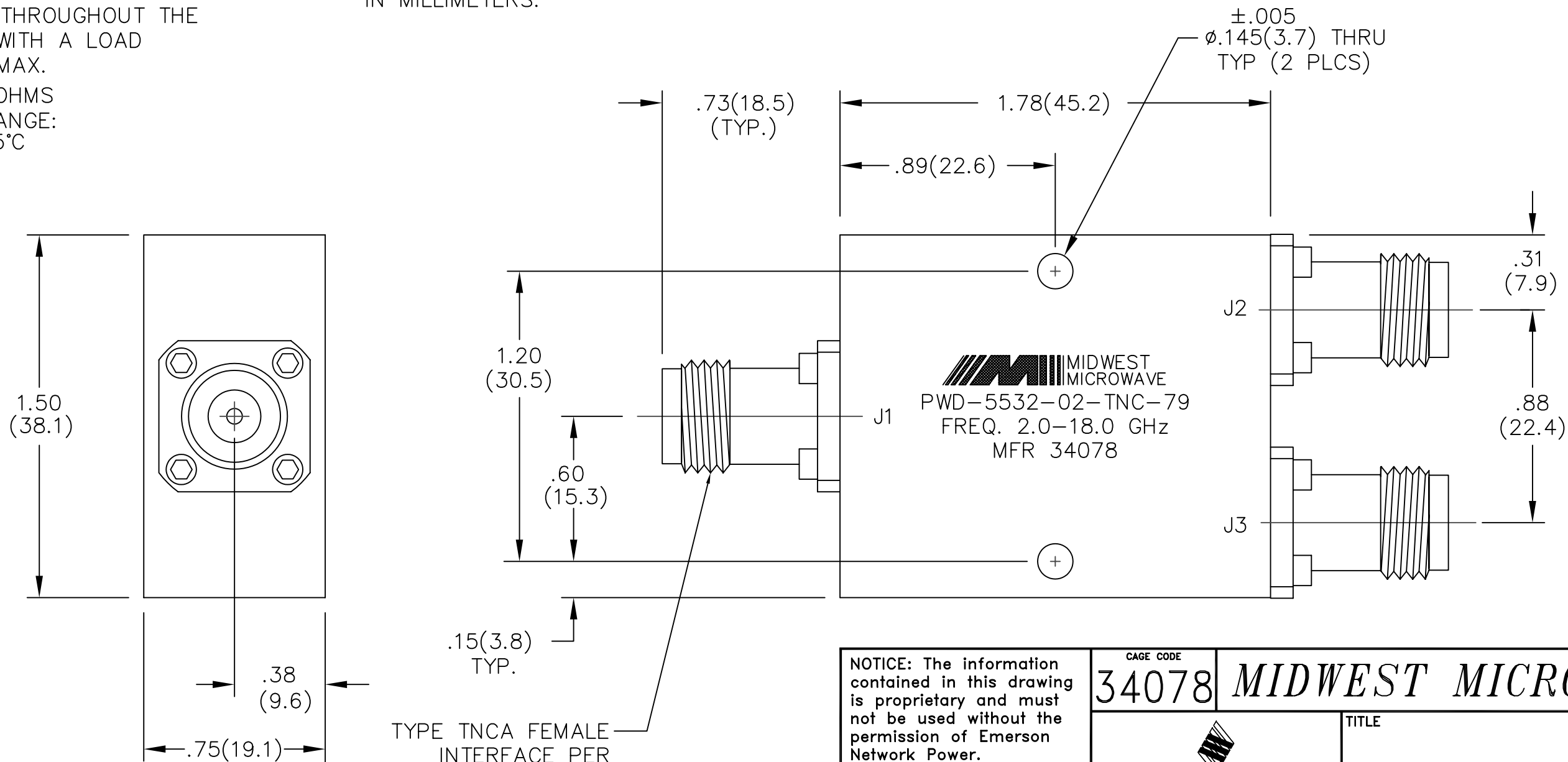
- 1.1 FREQUENCY RANGE: 2.0 to 18.0 GHz
- 1.2 INSERTION LOSS: 1.5dB MAX.
- 1.3 ISOLATION: 15dB MIN.
- 1.4 VSWR (MAX): 1.80:1
- 1.5 OUTPUT UNBALANCE:
AMPLITUDE: 0.40dB MAX.
PHASE: 10° MAX.
- 1.6 MAX. INPUT POWER:
10 WATTS CW THROUGHOUT THE
FREQ. RANGE WITH A LOAD
VSWR OF 2:1 MAX.
- 1.7 IMPEDANCE: 50 OHMS
- 1.8 TEMPERATURE RANGE:
-65°C to +125°C

2.0 FINISHING:

- 2.1 GREY PER MIL-E-15090 TYPE II, CLASS 2
OVER MIL-C-5541 CLASS 3A
MEETS MIL-F-14072
MEETS MIL-E-5400

2.2 MARKING: MARK UNIT AS SHOWN

3.0 DIMENSIONS IN PARENTHESIS ARE
IN MILLIMETERS.



TYPE TNCA FEMALE
INTERFACE PER
MIL-STD-348A
FIG. 313-4
(INTERFACE ALSO MEETS TYPE TNC 18.0 GHZ,
GRADE 1, PER IEC 169-26, FIG. 2)
TYP. (3 PLCS.)

MIDWEST MICROWAVE
PWD-5532-02-TNC-79
FREQ. 2.0-18.0 GHz
MFR 34078

NOTICE: The information contained in this drawing is proprietary and must not be used without the permission of Emerson Network Power.

UNLESS OTHERWISE NOTED DIMENSIONS ARE IN INCHES AND TOLERANCES ARE:
3 PLACE DECIMALS ±.005
2 PLACE DECIMALS ±.02
FRACTIONS ±1/64
PARALLELITY: T.I.R. _____
FLATNESS: T.I.R. _____
CONCENTRICITY: T.I.R. _____
ANGLES AND PERPENDICULARITY: ±1°

CAGE CODE 34078		MIDWEST MICROWAVE	
 EMERSON Network Power Connectivity Solutions		TITLE POWER DIVIDER OUTLINE DRAWING	
		DRAWING NUMBER PWD-5532-02-TNC-79-01	
DRAWN/DATE A.BEATTY 3/13/96	ENG./DATE J.O'NEIL 3/19/96	DRAWING NUMBER PWD-5532-02-TNC-79-01	REV. D
CHECKED/DATE	APPROVED/DATE	SCALE: 5=1	SHEET 1 of 1

REV.	DESCRIPTION	DATE
-	RELEASED	11/3/96
-1	ADDED TITLEBLOCK	7/20/05
A	ECN 20777	3/23/06
C	ECO 22746	10/27/10
D	ECO 23013	12/15/10