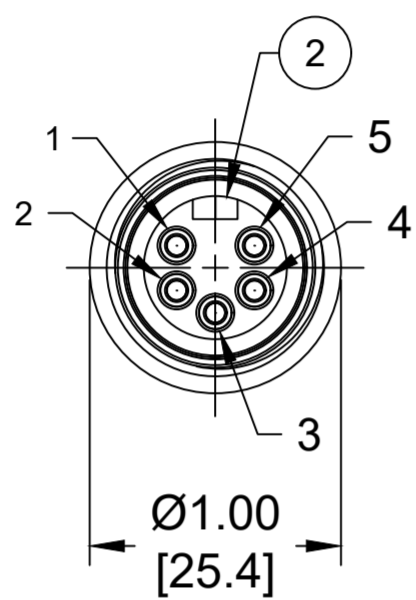
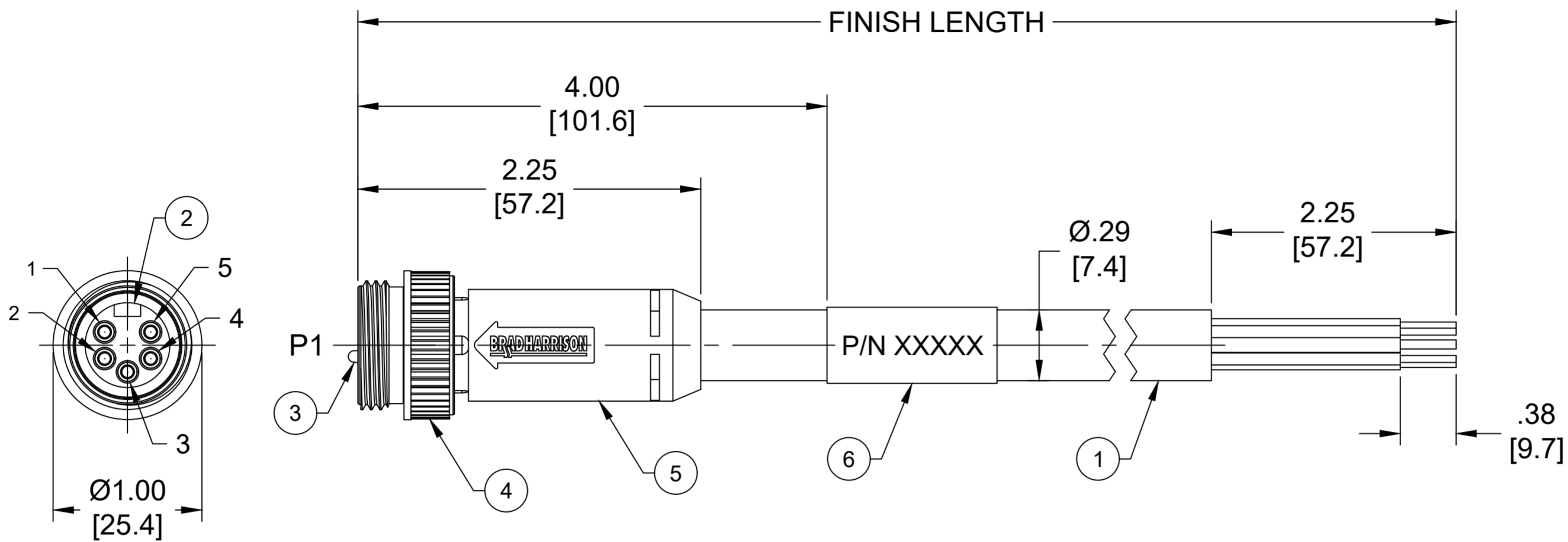
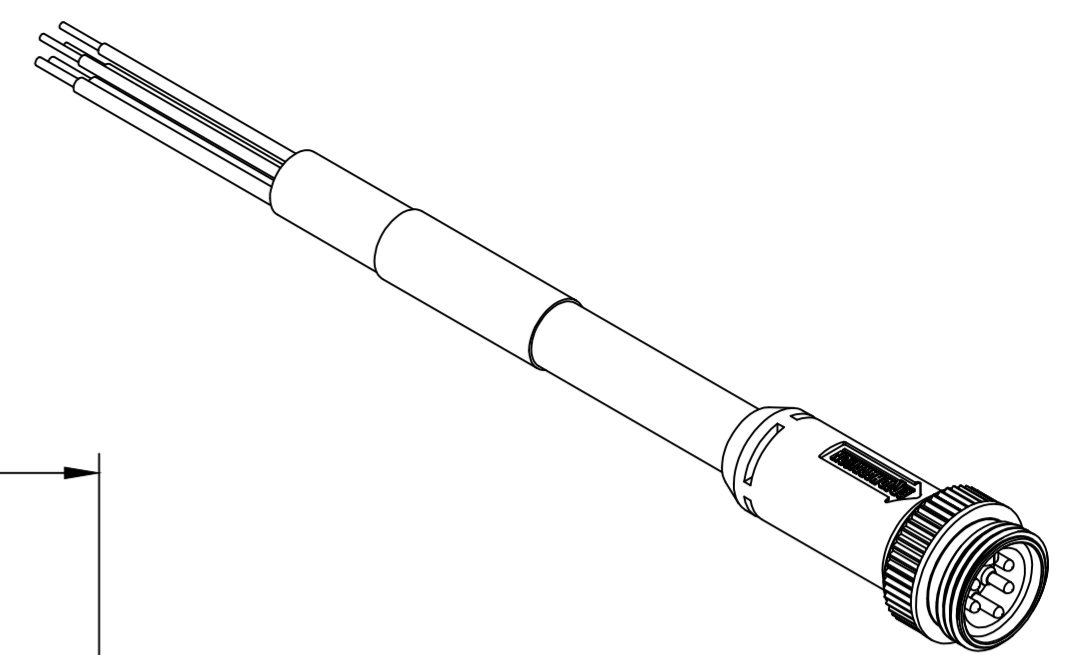


PART NO.	ENGINEERING NO.	FINISHED LENGTH
1300240189	DND01A-M005	0.5M [ 1FT 8 IN ]
1300240198	DND01A-M100	10M [ 30FT 10 IN ]
1300240201	DND01A-M200	20M [ 65FT 7 IN ]

(C)



MALE FACE VIEW

P1	
1	DRAIN
2	RED +V
3	BLACK -V
4	WHITE CAN H
5	BLUE CAN L

WIRING DIAGRAM

NOTES:

- MATERIAL: AS NOTED
- FINISH: AS NOTED
- ELECTRICAL:  
VOLTAGE RATING PER IEC60664: 300V  
VOLTAGE RATING PER UL: 300V  
CURRENT: 4A
- TEMP RATING: -20° TO +80°C
- PROTECTION: IP67 (WHEN MATED)
- COUPLING THREAD: 7/8"-16UN
- UL RECOGNIZED FILE: E152210  
CSA CERTIFIED FILE: LR6837 (C)
- ALL DIMENSIONS ARE FOR REFERENCE UNLESS TOLERANCED OR NOTED OTHERWISE

PART NUMBER LEGEND (C)

**DND01A-M005**  
 ↓  
 CABLE LENGTH  
 M005= 0.5 METER  
 M010= 1 METER  
 M100= 10 METER

(C) CABLE LENGTH TOLERANCES

<.3M [1FT]:	+19mm-0 [ +.75in-0]
.3 - .9M [1 - 3FT]:	+44.5mm-0 [+1.75in-0]
.9 - 1.8M [3 - 6FT]:	+55.6mm-0 [+2.19in-0]
1.8 - 3.7M [6 - 12FT]:	+88.9mm-0 [+3.50in-0]
3.7 - 7.3M [12 - 24FT]:	+165.1mm-0 [+6.50in-0]
7.3-14.6M [24 - 48FT]:	+317.5mm-0 [+12.50in-0]
14.6 - 30.5M [48-100FT]:	+622.3mm-0 [+24.50in-0]
OVER 30M [100FT]	+2% OF FINISHED LENGTH

ITEM	COMPONENT	MATERIAL	FINISH
6	WRAP LABEL	VINYL	BLACK/YELLOW
5	OVERMOLD	TPE	GRAY
4	COUPLING NUT	ZINC DIE CAST	BLACK-E-COAT
3	CONTACT PIN	BRASS	GOLD OVER NICKEL
2	INSERT	TPE	BLACK
1	CABLE 22 AWG, DEVICENET	PVC JACKET	GRAY

(C)

(C)

FUNCTIONAL SYMBOLS	THIS DRAWING CONTAINS INFORMATION THAT IS PROPRIETARY TO MOLEX ELECTRONIC TECHNOLOGIES, LLC AND SHOULD NOT BE USED WITHOUT WRITTEN PERMISSION												
	DIMENSION UNITS		SCALE		CURRENT REV DESC: ITEM #2 & #5 WERE PVC. ADDED UL & CSA, P/N LEGEND & TOL CHART. MODIFIED P/N CHART								
DIVISIONAL SYMBOLS	INCH/MM		NTS		EC NO: 720800								
	GENERAL TOLERANCES (UNLESS SPECIFIED)				DRWN: ABENJAMINLW 2022/07/14								
DIVISIONAL SYMBOLS	mm		INCH		CHK'D: RSTONE 2022/09/09								
	4 PLACES ±----		±----		APPR: BWOODMAN 2022/09/09								
	3 PLACES ±----		±----		INITIAL REVISION:								
	2 PLACES ±----		±----		DRWN: TWOLDEGE 2010/01/06								
1 PLACE ±----		±----		APPR: JFMURPHY 2010/01/20									
0 PLACES ±----		±----		DRAFT WHERE APPLICABLE MUST REMAIN WITHIN DIMENSIONS									
ANGULAR TOL ± ---- °				THIRD ANGLE PROJECTION		DRAWING		SERIES		DOCUMENT NUMBER		DOC TYPE/DOC PART/REVISION	
				C-SIZE		130024		SEE CHART		GENERAL MARKET		SD-130024-090 PSD 001 C	
												SHEET NUMBER	
												1 OF 1	