

2	SIDE TAB	5
1	CENTER PEG	4
2	EXTRACTOR	3
240	CONTACT	2
1	HOUSING	1
QTY	ITEM	ITEM NO.

NOTES; (APPLIED TO SHEET 1-3)

- 1. MATERIAL ; HOUSING: HIGH TEMPERATURE THERMO PLASTIC UL94V-0  
CONTACT: COPPER ALLOY  
EJECOR: HIGH TEMPERATURE THERMO PLASTIC UL94V-0  
PEG/TAB: COPPER ALLOY
- △ FINISH ; SEE TABLE.
- △ COPLANARITY: 0.1 MAX. (BEFORE SOLDERING)
- 4. CONFORMS TO REQUIREMENTS OF EIA/ECA-361-1000.01A.  
(CONTROLLED ENVIRONMENT APPLICATIONS  
AND TE PRODUCT SPECIFICATION 108-78570)
- 5. REFERENTIAL REFLOW PROFILE IS APPLIED BY J-STD-020\*.
- △ LOW RESISTANCE TYPE.
- 7. EXTRACTORS SHOULD BE FULLY CLOSED BEFORE REFLOW.

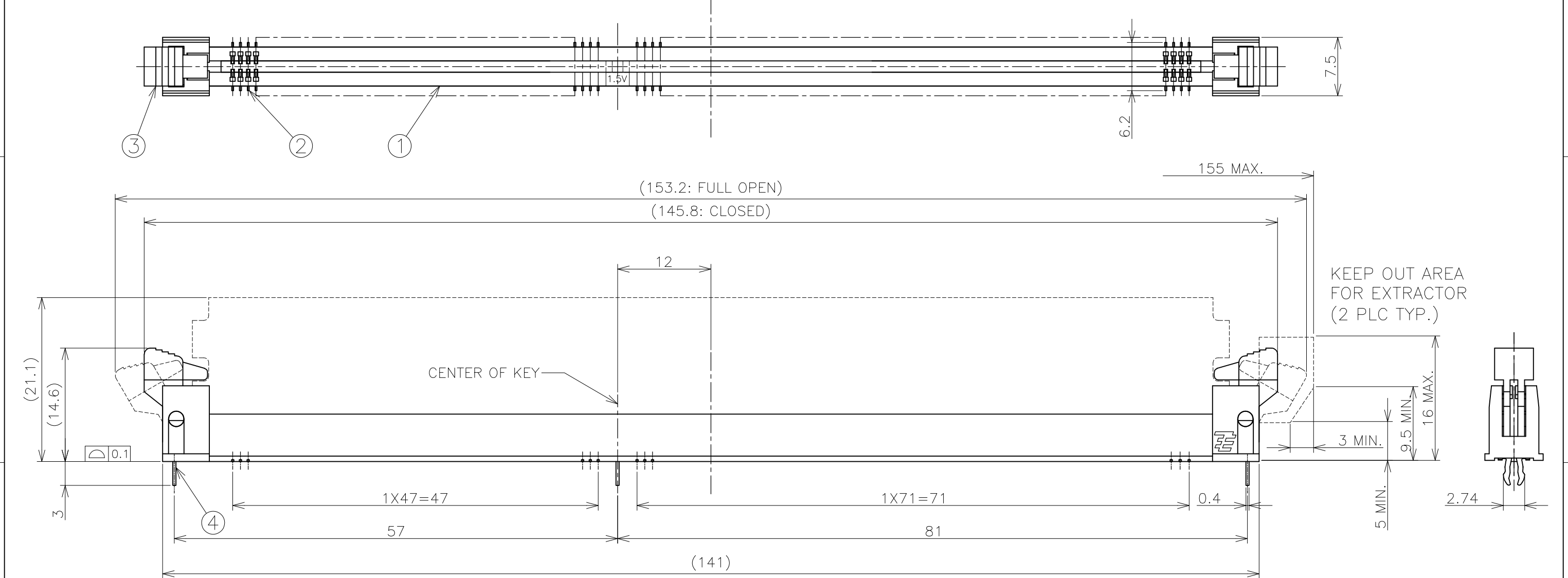
GENERAL TOERLANCE

10 ≥	±0.2
30 ≥	>10 ; ±0.3
100 ≥	>30 ; ±0.5
ANGLE ; ±3°	

△	BLACK	BLACK	Au PL.: 0.00038mm MIN. (CONTACT AREA) Au FLASH PL.: SOLDERING AREA (CONTACT TINE, PEG) TIN PL.: SOLDERING AREA (TAB)	240	3-2134250-2
△	WHITE	BLACK	Ni UNDER PL.: 0.002mm MIN. ALL OVER	240	3-2134250-1
	BLACK	BLACK	Au PL.: 0.00051mm MIN. (CONTACT AREA) Au FLASH PL.: SOLDERING AREA (CONTACT TINE, PEG) TIN PL.: SOLDERING AREA (TAB)	240	1-2134250-6
	WHITE	BLACK	Ni UNDER PL.: 0.002mm MIN. ALL OVER	240	1-2134250-5
	BLACK	BLACK	Au PL.: 0.00076mm MIN. (CONTACT AREA) Au FLASH PL.: SOLDERING AREA (CONTACT TINE, PEG) TIN PL.: SOLDERING AREA (TAB)	240	1-2134250-4
	WHITE	BLACK	Ni UNDER PL.: 0.002mm MIN. ALL OVER	240	1-2134250-3
	BLACK	BLACK	Au PL.: 0.00038mm MIN. (CONTACT AREA) Au FLASH PL.: SOLDERING AREA (CONTACT TINE, PEG) TIN PL.: SOLDERING AREA (TAB)	240	1-2134250-2
	WHITE	BLACK	Ni UNDER PL.: 0.002mm MIN. ALL OVER	240	1-2134250-1
EXTRACTOR COLOR	HOUSING COLOR	△ FINISH		POS	PART NO.
THIS DRAWING IS A CONTROLLED DOCUMENT.		DWN T.FUMIKURA 01APR2011	TE Connectivity DDR3 DIMM SOCKET 1mm PITCH SMT 240 POS. VERY LOW PROFILE TYPE		
DIMENSIONS: 単位: 耗 MM		CHK E.TAKEMASA 01APR2011			
TOLERANCES UNLESS OTHERWISE SPECIFIED: 一般公差		APVD E.TAKEMASA 01APR2011	NAME 名称		
0 PLC ± - 1 PLC ± - 2 PLC ± - 3 PLC ± - 4 PLC ± - ANGLES ± 3°		PRODUCT SPEC 製品規格 108-78570	DRAWING NO 番号 C-2134250		
MATERIAL 材料 SEE NOTES		FINISH 仕上 SEE NOTES	WEIGHT 5.3 g	SIZE A3	CAGE CODE 00779
		CUSTOMER DRAWING		SCALE 尺度 2:1	SHEET 1 OF 6
				RESTRICTED TO	REV F1

THIS DRAWING IS UNPUBLISHED. RELEASED FOR PUBLICATION  
 © COPYRIGHT - By - ALL RIGHTS RESERVED.

LOC	DIST	REVISIONS			DATE	DWN	APVD
J		P	LTR	DESCRIPTION			
		-		SEE SHEET 1	-	-	-



3	LEG	4
2	EXTRACTOR	3
240	CONTACT	2
1	HOUSING	1
QTY	ITEM	ITEM NO.

△	N/A	BLACK	BLACK	Au PL.: 0.00076mm MIN. (CONTACT AREA)	240	6-2134250-4
		WHITE	BLACK	Au FLASH PL.: SOLDERING AREA Ni UNDER PL.: 0.002mm MIN. ALL OVER	240	6-2134250-3
△	CAP COLOR	EXTRACTOR COLOR	HOUSING COLOR	△ FINISH	POS	PART NO.

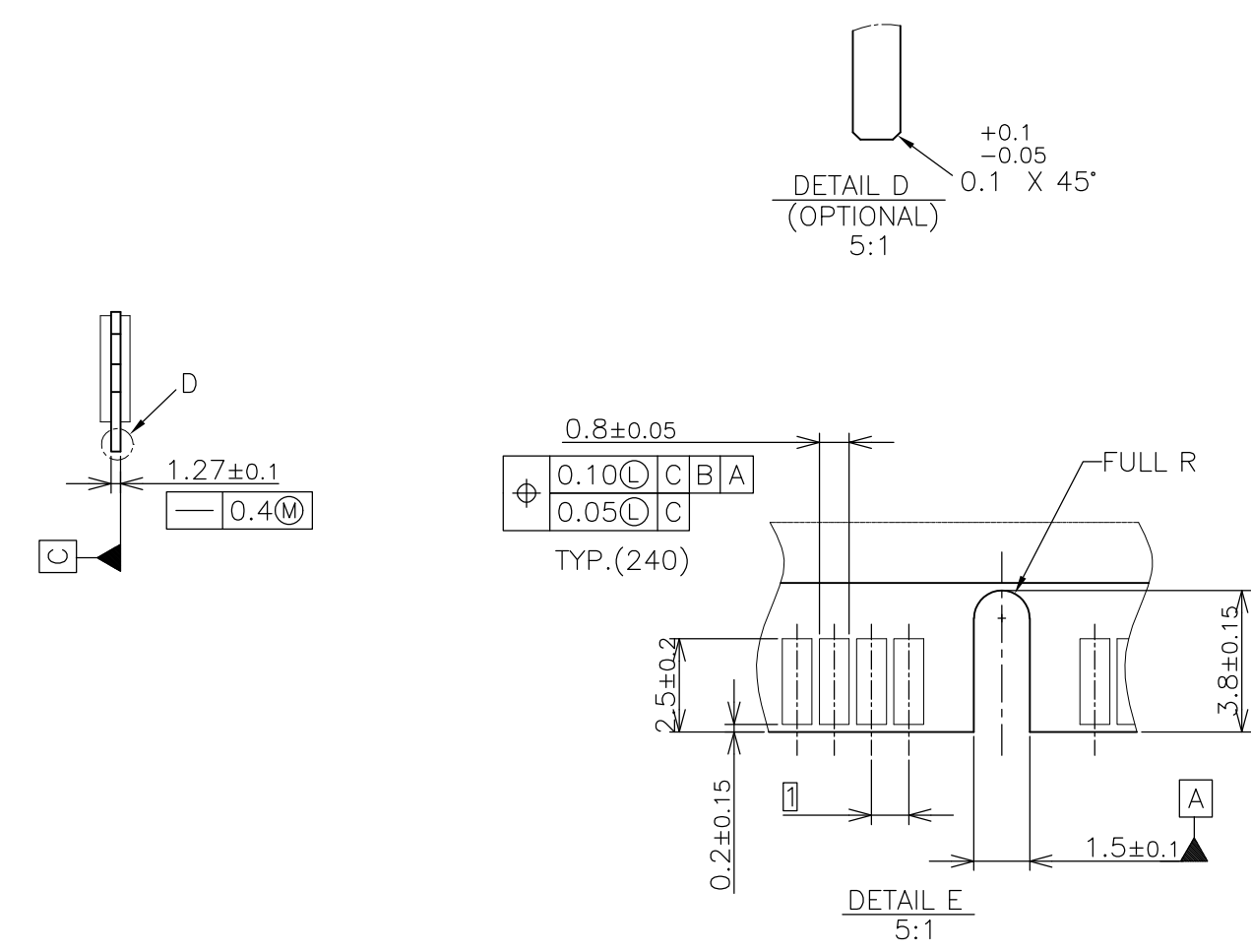
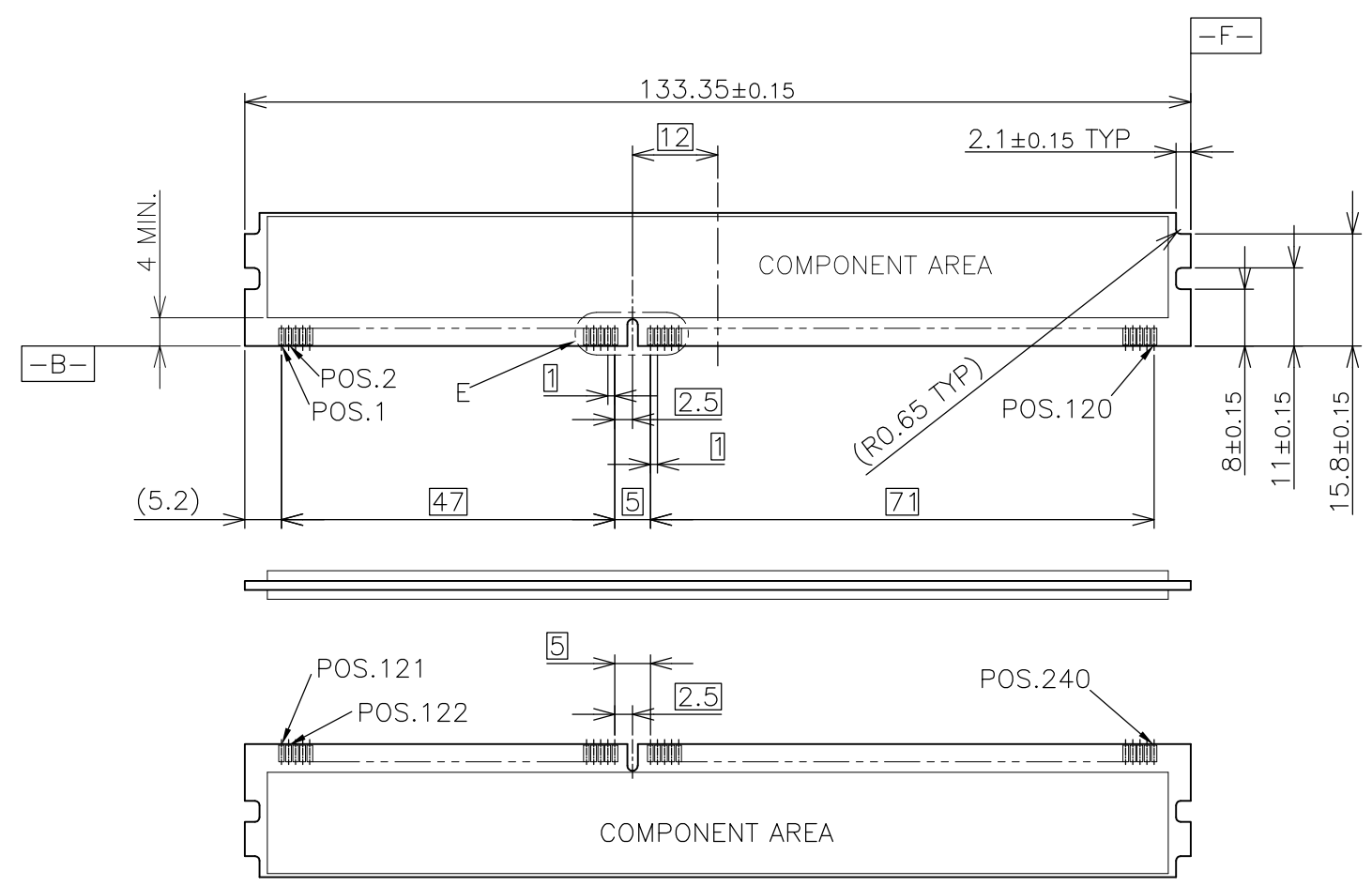
THIS DRAWING IS A CONTROLLED DOCUMENT.		DWN	01APR2011	<b>STE</b> TE Connectivity		
DIMENSIONS: 单位: 耗 MM		CHK	01APR2011			
TOLERANCES UNLESS OTHERWISE SPECIFIED: 一般公差		APVD	01APR2011	NAME 名称		
0 PLC ± -		PRODUCT SPEC 製品規格		DDR3 DIMM SOCKET 1mm PITCH SMT		
1 PLC ± -		APPLICATION SPEC 取付適用規格		240 POS. VERY LOW PROFILE TYPE		
2 PLC ± -		SIZE	A3	CAGE CODE	00779	DRAWING NO 番号
3 PLC ± -		WEIGHT		G-2134250		RESTRICTED TO
4 PLC ± -		CUSTOMER DRAWING		SCALE 尺度	2:1	SHEET 2 OF 6
ANGLES ± 3°		FINISH 仕上		REV F1		
MATERIAL 材料 SEE NOTES		FINISH 仕上 SEE NOTES		SCALE 尺度 2:1		
GENERAL TOLERANCE		SCALE 尺度 2:1		SHEET 2 OF 6		
10 ≥ ±0.2		SCALE 尺度 2:1		REV F1		
30 ≥ >10; ±0.3		SCALE 尺度 2:1		REV F1		
100 ≥ >30; ±0.5		SCALE 尺度 2:1		REV F1		
ANGLE: ±3°		SCALE 尺度 2:1		REV F1		





THIS DRAWING IS UNPUBLISHED. RELEASED FOR PUBLICATION  
 © COPYRIGHT - By - ALL RIGHTS RESERVED.

LOC	DIST	REVISIONS					
		P	LTR	DESCRIPTION	DATE	DWN	APVD
J				SEE SHEET 1			



REFERENCE DIMM PCB LAYOUT

RECOMMENDED PLATING FOR CONTACT PADS ARE:

- 1) PREFERABLE PLATING : ELECTROLYTIC GOLD PLATING 0.00076 mm MIN. OVER ELECTROLYTIC NICKEL 0.002 mm MIN.
- 2) ALTERNATIVE PLATING : GOLD PLATING 0.00005-0.00075 mm OVER NICKEL 0.002 mm MIN. MUST USE AN ELECTRONIC CONTACT GRADE CORROSIVE BARRIER LUBRICANT.

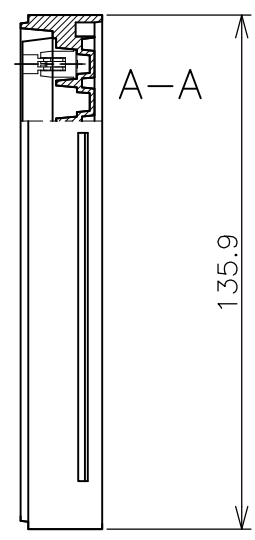
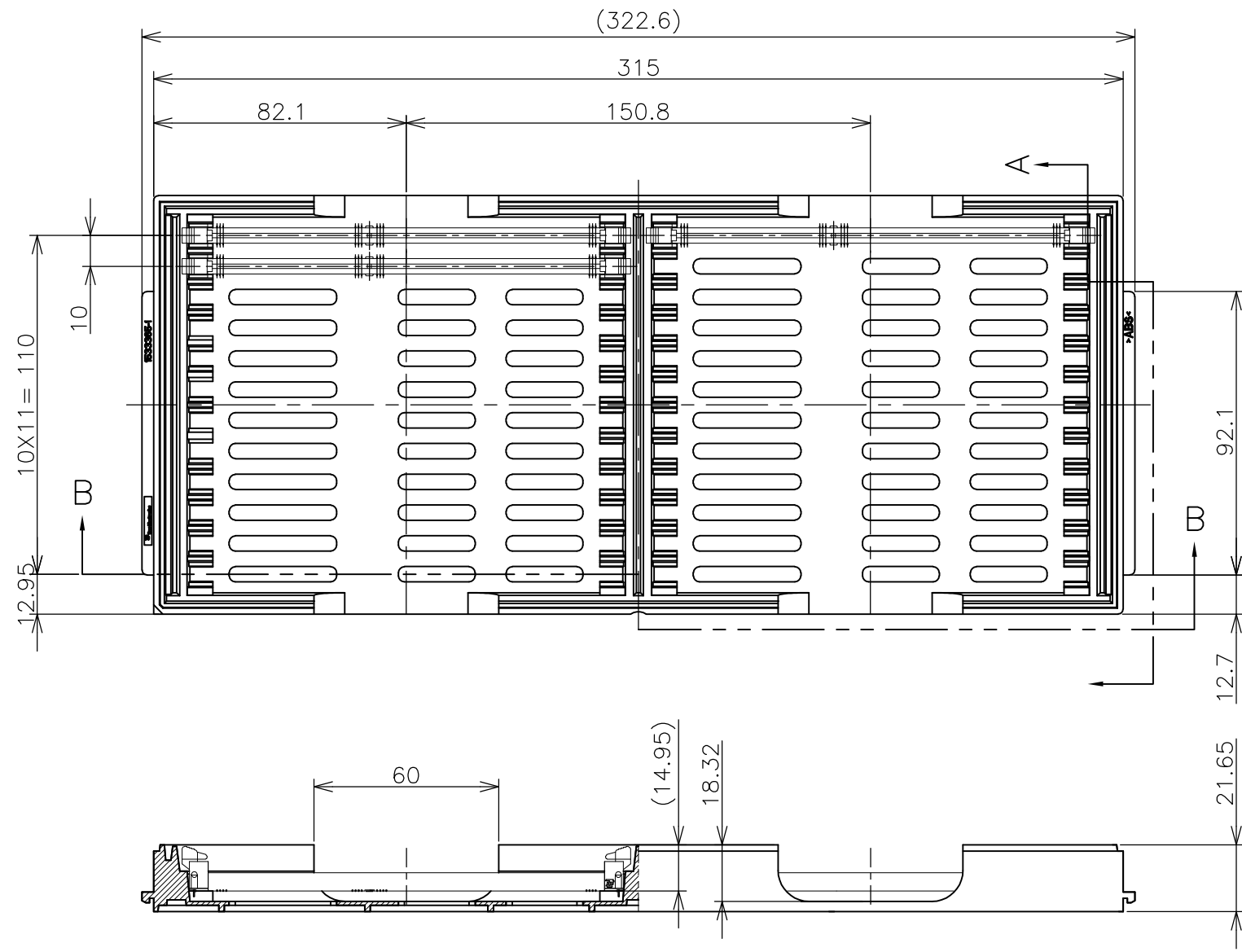
GENERAL TOLERANCE

10 ≥ ; ±0.2
30 ≥ ; >10 ; ±0.3
100 ≥ ; >30 ; ±0.5
ANGLE ; ±3°

THIS DRAWING IS A CONTROLLED DOCUMENT.		DWN		TE Connectivity	
DIMENSIONS: 单位: 耗 MM		CHK			
TOLERANCES UNLESS OTHERWISE SPECIFIED: 一般公差		APVD		NAME 名称	
0 PLC ± -		PRODUCT SPEC 製品規格		DDR3 DIMM SOCKET 1mm PITCH SMT	
1 PLC ± -		APPLICATION SPEC 取付適用規格		240 POS. VERY LOW PROFILE TYPE	
2 PLC ± -		WEIGHT		SIZE	CAGE CODE
3 PLC ± -		CUSTOMER DRAWING		A3	00779
4 PLC ± -		SCALE 尺度 1:1		DRAWING NO 番号	
ANGLES ± 3°		SHEET 5 OF 6		G-2134250	
FINISH 仕上		REV F1		RESTRICTED TO	
MATERIAL 材料 SEE NOTES					

THIS DRAWING IS UNPUBLISHED. RELEASED FOR PUBLICATION  
 © COPYRIGHT - By - ALL RIGHTS RESERVED.

LOC	DIST	REVISIONS		
J		P	LTR	DESCRIPTION
		-		SEE SHEET 1
			DATE	DWN
			-	-
			APVD	-



QTY: 24EA/TRAY

THIS DRAWING IS A CONTROLLED DOCUMENT.

DIMENSIONS: 单位: 耗 MM	TOLERANCES UNLESS OTHERWISE SPECIFIED: 一般公差
	0 PLC ± -
	1 PLC ± -
	2 PLC ± -
	3 PLC ± -
	4 PLC ± -
	ANGLES ± 3°

GENERAL TOERLANCE
10 ≥ ; ±0.2
30 ≥ >10 ; ±0.3
100 ≥ >30 ; ±0.5
ANGLE ; ±3°

MATERIAL 材料	FINISH 仕上
SEE NOTES	SEE NOTES

DWN	
CHK	
APVD	
PRODUCT SPEC 製品規格	
APPLICATION SPEC 取付適用規格	
WEIGHT	

**STE** TE Connectivity

NAME  
名称  
DDR3 DIMM SOCKET 1mm PITCH SMT  
240 POS. VERY LOW PROFILE TYPE

SIZE	CAGE CODE	DRAWING NO 番号	RESTRICTED TO
A3	00779	G-2135250	

CUSTOMER DRAWING

SCALE 尺度	SHEET	REV
1:2	6 OF 6	F1