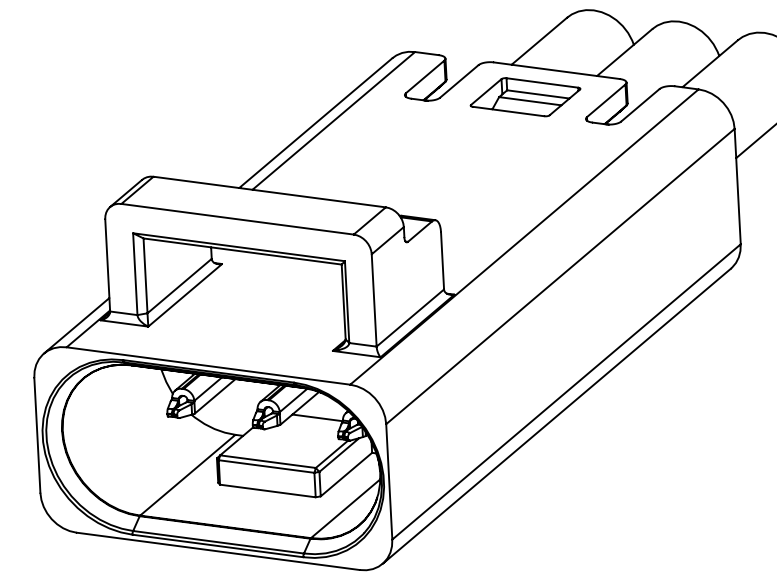


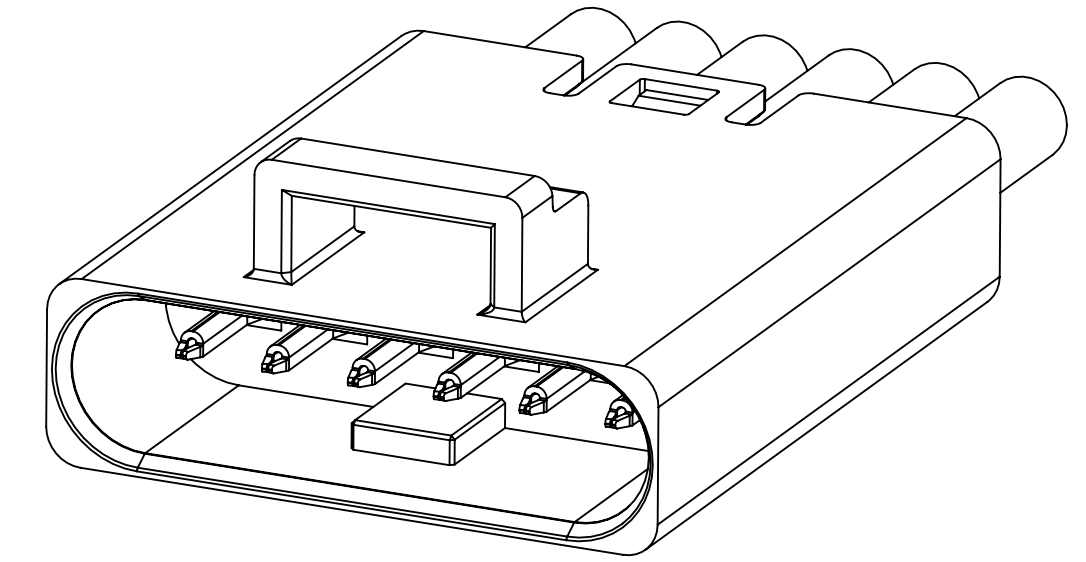
REVISIONS				
REV	DESCRIPTION	DATE	GUARDIAN	APPROVED
D	EAR 15058	APR17/23	-	M. PAHULJE
E	EAR 15058	JUN21/23	-	M. PAHULJE



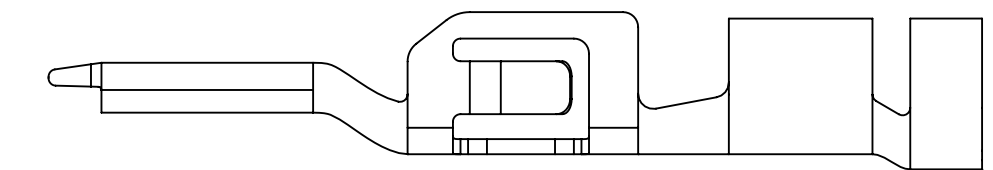
TABLE 1: HOUSING WIDTH	
HOUSING SIZE	HOUSING WIDTH (DIMENSION 'W')
3	10.30 [.406]
6	17.80 [.701]



**END CONNECTOR ASSEMBLY WITH 3 CONTACTS CRIMPED TO WIRES AND INSTALLED**



**END CONNECTOR ASSEMBLY WITH 6 CONTACTS CRIMPED TO WIRES AND INSTALLED**



**FLH-PC136-1-XXX - PIN CONTACT  
SEE NOTES 3 & 5  
SCALE 10:1**

**NOTES:**

- ALL MATERIALS ARE RoHS COMPLIANT PER EU DIRECTIVE 2011/65/EU & AMENDMENTS:
  - HOUSING: ENGINEERING THERMOPLASTIC, FLAMMABILITY RATING UL94 V-0, COLOUR BLACK
- ELECTRICAL CHARACTERISTICS:
  - CURRENT RATING: 7 A (18 AWG OR 1 mm<sup>2</sup>) OR 5 A (20 AWG OR 0.5 mm<sup>2</sup>) OR 3 A (22 AWG OR 0.34 mm<sup>2</sup>) PER CONTACT
  - DIELECTRIC WITHSTANDING VOLTAGE: 1500 VAC
  - INSULATION RESISTANCE: 500 MΩ
  - OPERATING TEMPERATURE: -40 °C TO +105 °C
- CRIMP STRANDED WIRE TO CONTACT BEFORE ASSEMBLING INTO HOUSING
- IP20 PROTECTION PER IEC 60529 IN MATED CONDITION
- PIN CONTACTS TO BE PURCHASED SEPARATELY ON REEL, P/N: FLH-PC136-1-XXX

**ORDERING CODE: FLH - P X 1 - 9X - X**

**FLH SERIES**

**RECEPTACLE HOUSING (FOR PIN CONTACTS)**

**HOUSING SIZE**

- 3 = FOR UP TO 3 CONTACTS
- 6 = FOR UP TO 6 CONTACTS

**WIRE END CONNECTOR, FOR CRIMP CONTACTS**

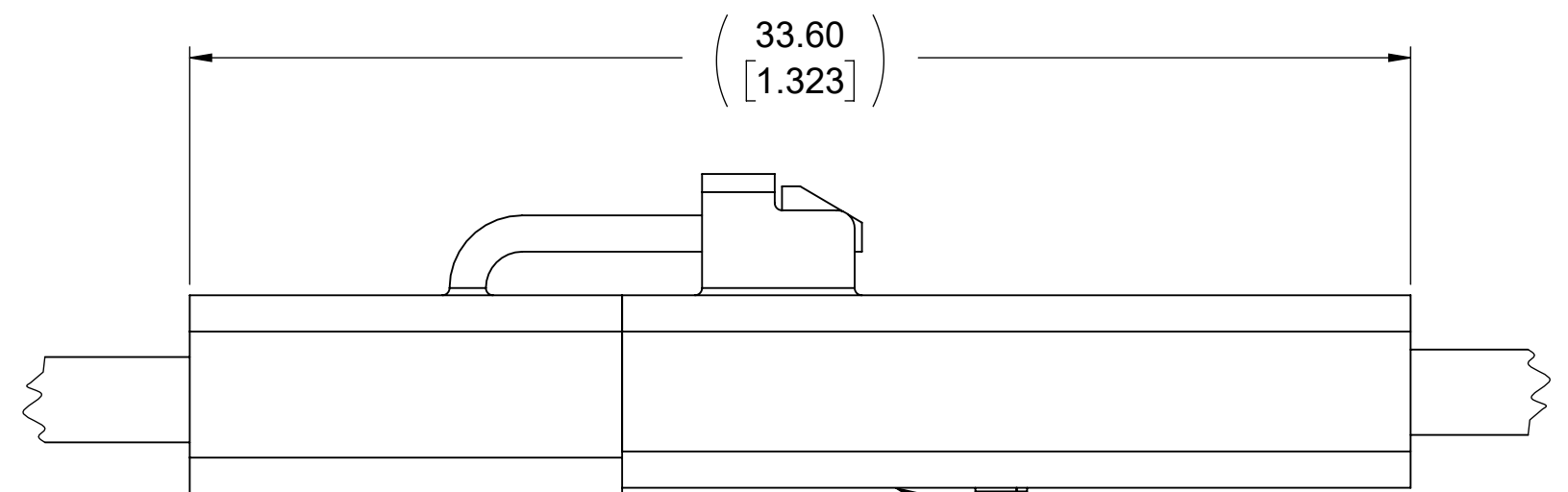
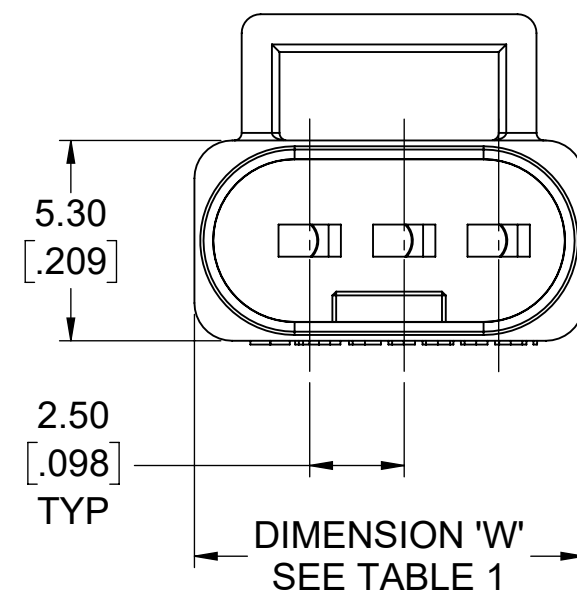
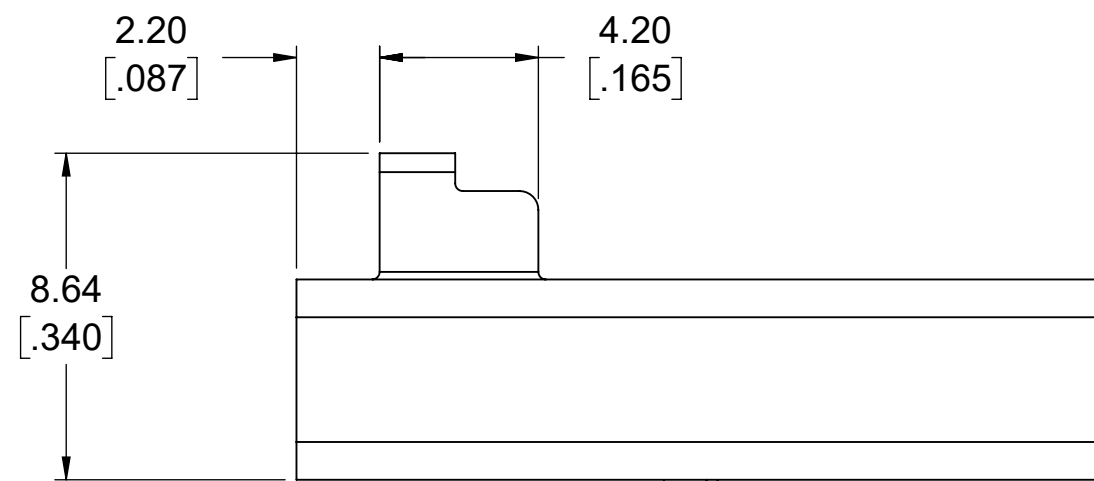
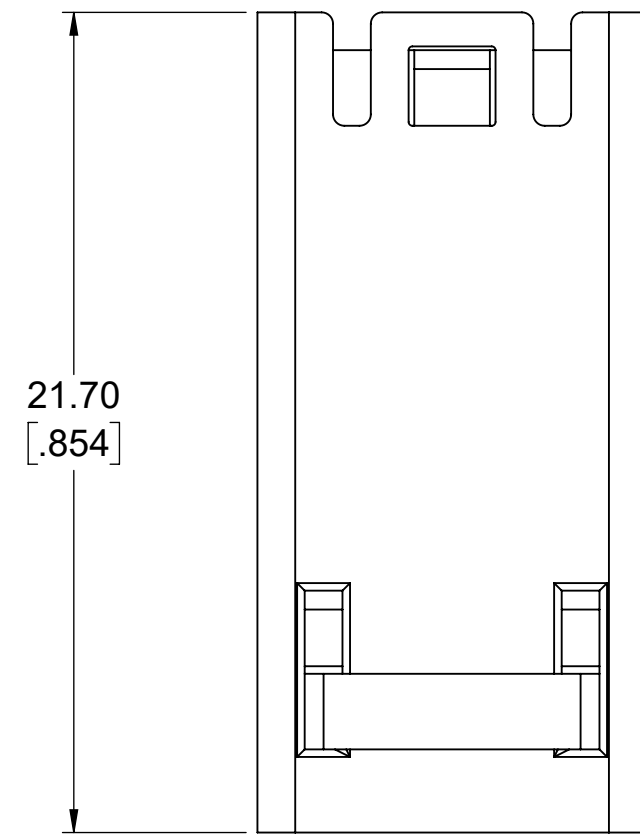
**IP RATING**

- 90 = IP20, SEE NOTE 4

**OTHER OPTIONS**

LEAVE BLANK FOR STANDARD

FOR CUSTOM REQUESTS, CONSULT AN AMPHENOL REPRESENTATIVE.



**PLUG CONNECTOR  
FLH-SX1-90**

**APPLICATION VIEW**

**RECEPTACLE CONNECTOR  
FLH-PX1-90**

UNLESS SPECIFIED OTHERWISE	DRAWN	S. MUGAN	JUN02/22
PRIMARY UNITS	MILLIMETRES	CHECKED	
SECONDARY	INCHES	M.E. APP'D	
REFERENCE IN PARENTHESES		Q.A. APP'D	
GENERAL TOLERANCES	DWG APP'D	S. MUGAN	JUN02/22
1 DECIMAL PLACE	ENG NO.	EAR 15074	
2 DECIMAL PLACES	RELEASE STATE	Released	
3 DECIMAL PLACES	THIRD ANGLE PROJECTION		
ANGULAR DEGREES		DO NOT SCALE DRAWING	

**Amphenol Canada Corp.**  
Commercial Products

**FLH SERIES, MINI 2.5 mm PITCH,  
RECEPTACLE HOUSING,  
FOR 1 TO 6 CONTACTS,  
RoHS COMPLIANT**

DWG. NO. **P-FLH-PX1-9X-X** REV **E**

CODE ID NO. 03554 DWG SIZE: C SCALE: 5:1 SHEET 1 OF 1