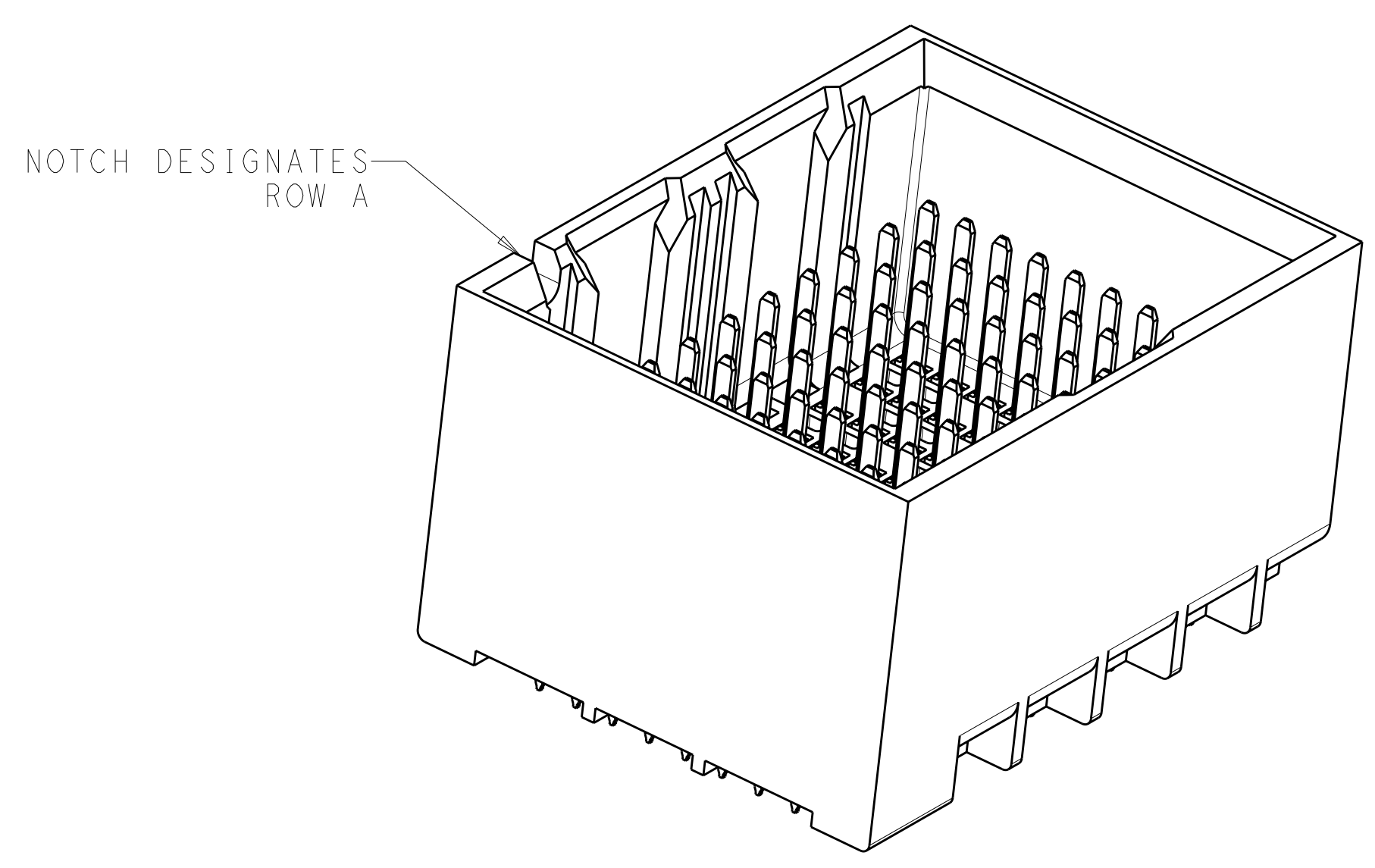
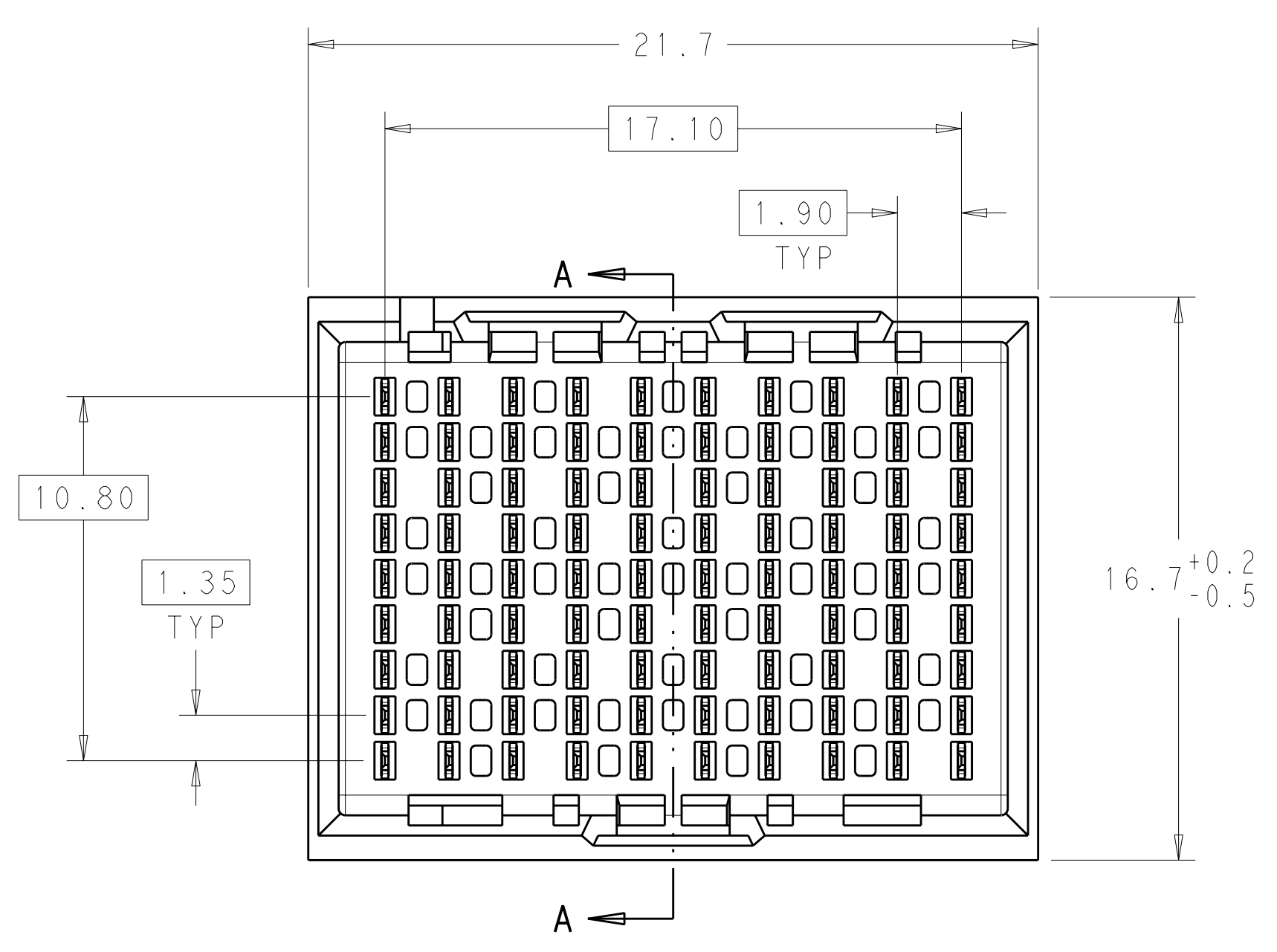
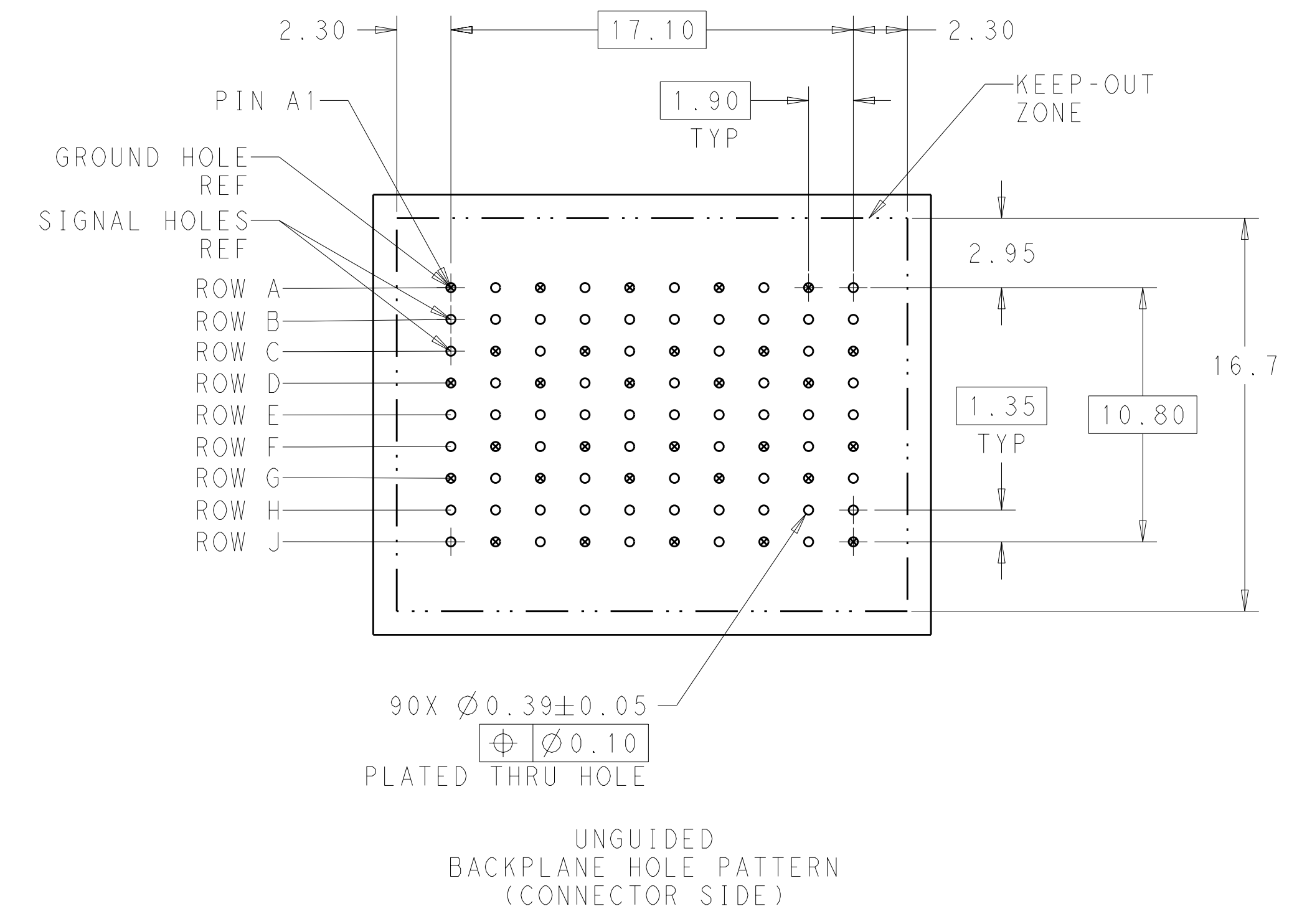


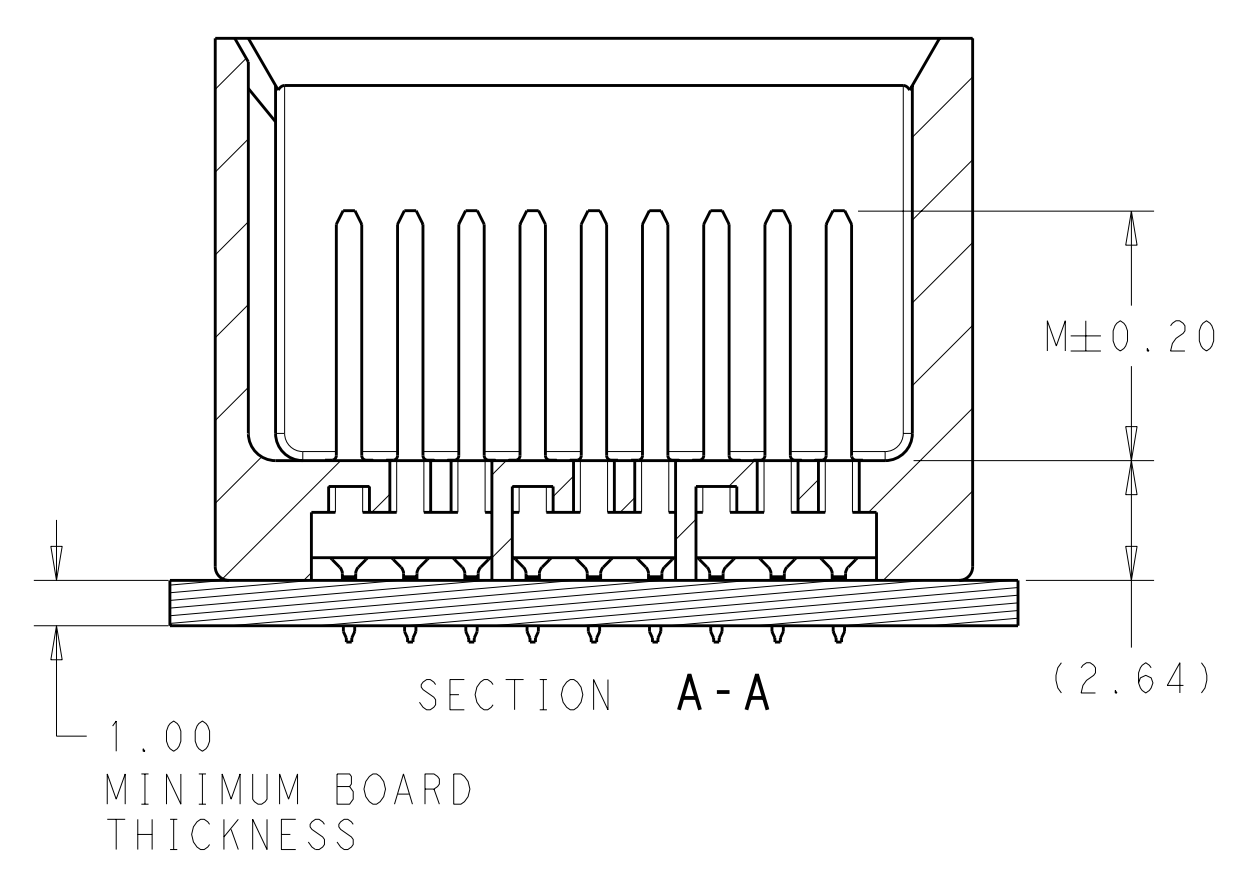
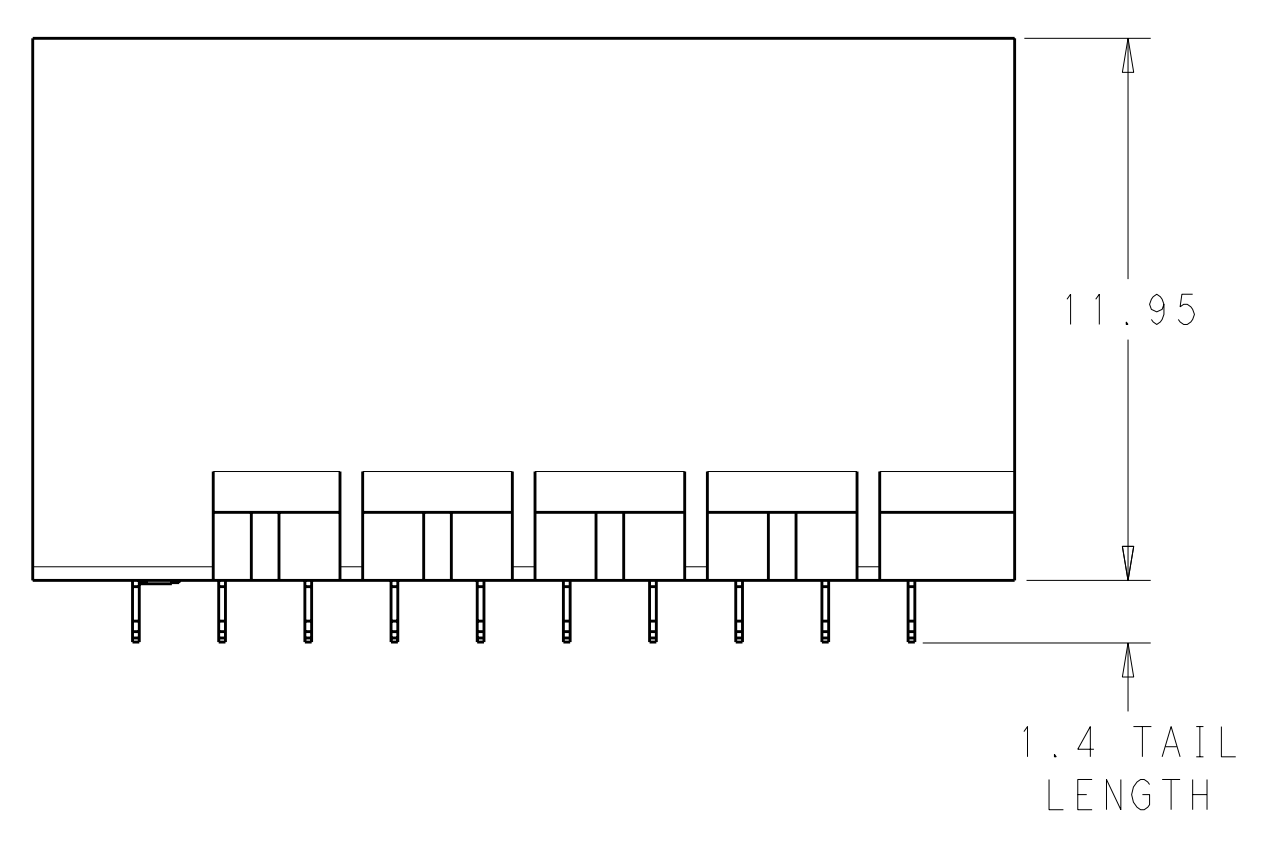
LOC		DIST		REVISIONS			
AD	00	P	LTR	DESCRIPTION	DATE	DWN	APVD
		C		REVISED PER ECO-11-025276	22DEC11	KH	DY
		D		REV PER ECO-12-002142	13FEB2012	BC	DY



- 1 MATERIAL:
HOUSING: LCP, GLASS FILLED, UL94V-0.
TERMINALS: HIGH PERFORMANCE COPPER ALLOY.
- 2 FINISH:
30μ" MIN GOLD IN CONTACT AREA. SELECTIVE TIN ON PCB TAILS, NICKEL OVERALL.
- 3 FINISH:
30μ" MIN GOLD IN CONTACT AREA. SELECTIVE TIN-LEAD ON PCB TAILS, NICKEL OVERALL.



UNGUIDED BACKPLANE HOLE PATTERN (CONNECTOR SIDE)



THIS DRAWING IS A CONTROLLED DOCUMENT.		DWN	J. K. SHOBER	22DEC11	TE Connectivity NAME: IMPACT, 3 PAIR, 10 COLUMN, HEADER UNGUIDED, DUAL END WALL SIGNAL MODULE, 0.39 PTH SIZE: CAGE CODE DRAWING NO: A100779C=2007790 RESTRICTED TO:
DIMENSIONS:		CHK	J. EARY	22DEC11	
mm		APVD	J. EARY	22DEC11	
9 PLC ± 1 PLC ±0.25 2 PLC ±0.13 3 PLC ± 4 PLC ± ANGLES ± FINISH SEE TABLE		PRODUCT SPEC			
MATERIAL		APPLICATION SPEC			WEIGHT
4805 (3/11) Pro/ENGINEER DRAWING		CUSTOMER DRAWING			SCALE: 6:1 SHEET 1 OF 2 REV D

THIS DRAWING IS UNPUBLISHED. RELEASED FOR PUBLICATION 20
 © COPYRIGHT 20 . . . ALL RIGHTS RESERVED.

LOC	DIST	REVISIONS				
		P	LTB	DATE	DWN	APVD
AD	00	-	-	SEE SHEET 1	-	-

	5.5	2007790-6
	4.9	2007790-5
	4.5	2007790-4
	5.5	2007790-3
	4.9	2007790-2
	4.5	2007790-1
FINISH	DIM M	PART NUMBER

REFER TO WWW.TE.COM
 FOR PRODUCT AVAILABILITY

THIS DRAWING IS A CONTROLLED DOCUMENT.		DWN J. K. SHOBER	22DECT1		TE Connectivity
DIMENSIONS: mm		CHK J. EABY	22DECT1		NAME IMPACT, 3 PAIR, 10 COLUMN, HEADER UNGUIDED, DUAL END WALL SIGNAL MODULE, 0.39 PTH
TOLERANCES UNLESS OTHERWISE SPECIFIED: 9 PLC ± 7 PLC ±0.25 5 PLC ±0.13 4 PLC ± ANGLES ± FINISH SEE TABLE		APVD J. EABY	22DECT1	PRODUCT SPEC	RESTRICTED TO
MATERIAL		APPLICATION SPEC		SIZE	CAGE CODE
CUSTOMER DRAWING		WEIGHT		DRAWING NO A100779C=2007790	
		SCALE		SHEET 2 OF 2	
				REV D	