

**Ratings**

Voltage: 300V  
 Temperature: -40~105 °C  
 Flammability: VW-1

**Conductor**

Conductor count: 3  
 Gauge: 30 AWG 0.05 mm<sup>2</sup>  
 Material: tinned copper strands  
 Strand size:  $\varnothing 0.1 \times 7$   
 Resistance at 20 °C: 381  $\Omega$  /km max

**Insulator**

Material: FEP  
 Color: red, black, white  
 Diameter:  $\varnothing 0.6 \pm 0.10$   
 Nominal thickness: 0.13 mm  
 Resistance at 20 °C: 10 M $\Omega$  /km min

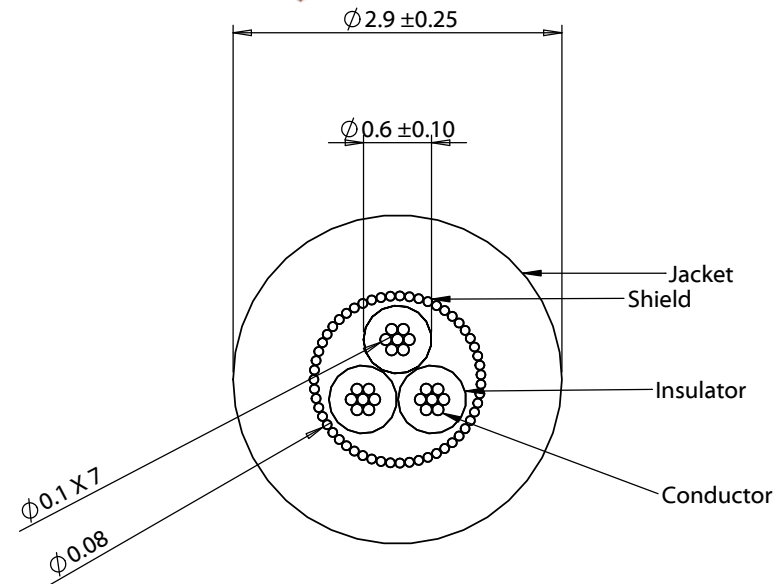
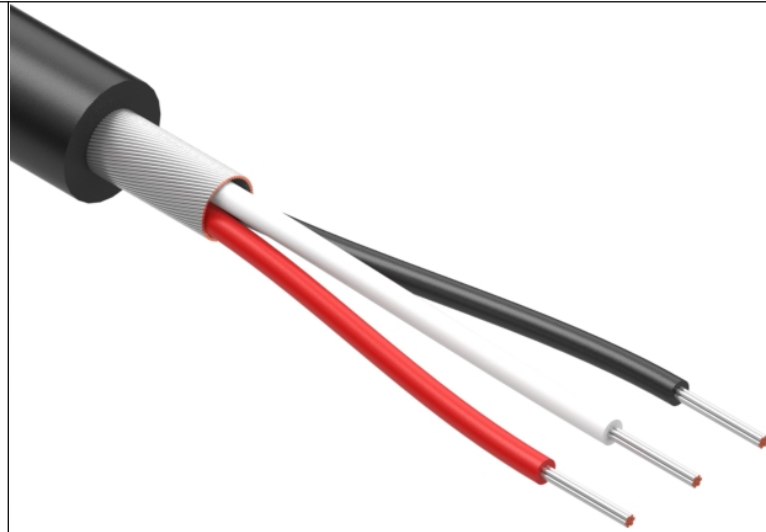
**Shield**




Material: tinned copper strands  
 Strand size:  $\varnothing 0.08$  mm, 85% min coverage

**Outer jacket**

Material: TPE, 78A  
 Color: Black, matte  
 Diameter:  $\varnothing 2.9 \pm 0.25$   
 Nominal thickness: 0.6 mm

**Wire marking:** E339579 UL AWM STYLE 21296 30 AWG 105°C  
 300V VW-1 --- cUL AWM I A 105°C 300V FT1 TENSILITY DGT



Revision:	Date:	Description:	Prepared:	Notes:	<b>TENSILITY</b>	
A	10/05/2021	Initial release	 <small>Digitally signed by MP Date: 2021.11.01 16:29:49 +0700</small>			RoHS compliant Phthalate free Function test: no open, no short circuit, no intermittent
			Verified:	Description:	Size:	
			 <small>Digitally signed by JD Date: 2021.11.01 16:29:49 +0700</small>		Wire, 3C TS, 30 AWG, UL 21296, 300V, 105C, 2.9 mm, shielded, VW-1, TPE	Part number:
			Dimensions are in millimeters.		A	30-02424
			Tolerances:		Scale: 15:1	
			X: $\pm 0.5$ mm			Sheet 1 of 1
			X.X: $\pm 0.3$ mm			
			X.XX: $\pm 0.05$ mm			

5

4

3

2

1