

**MICRO SWITCH**FREEPORT ILLINOIS
A DIVISION OF HONEYWELL

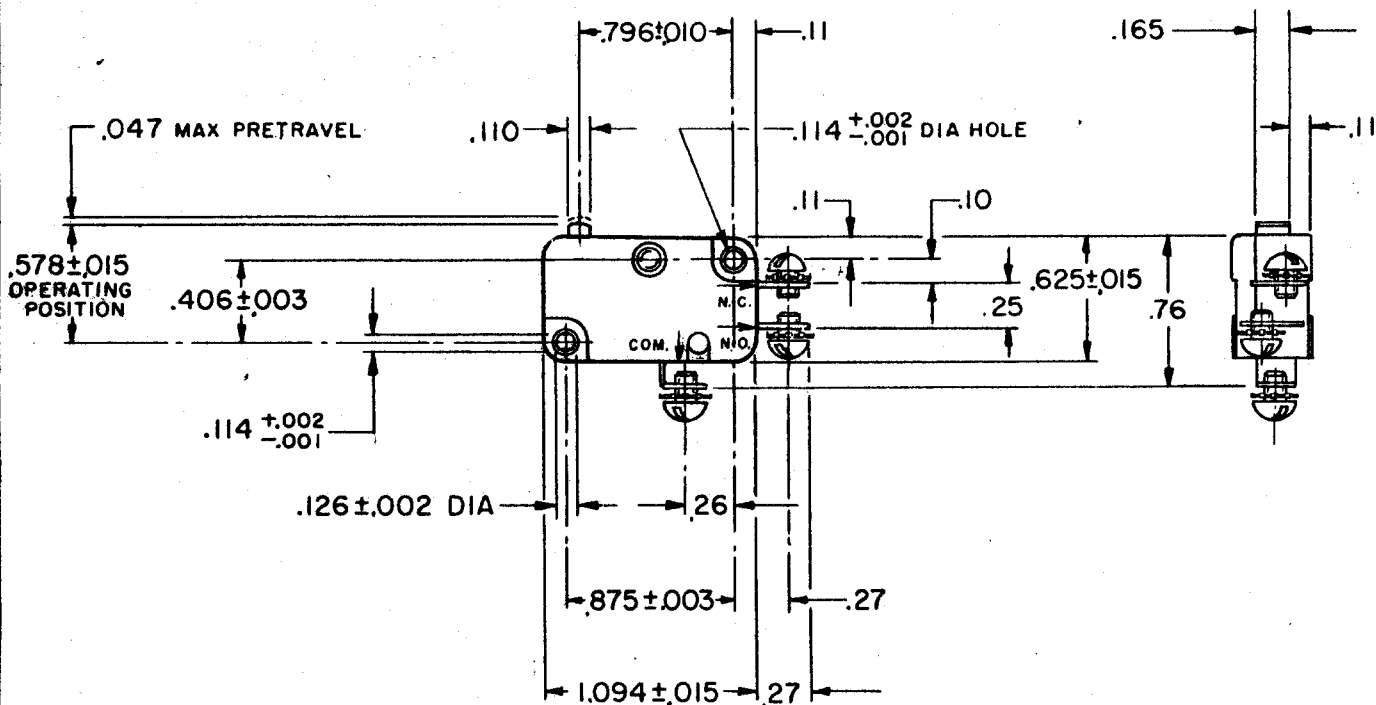
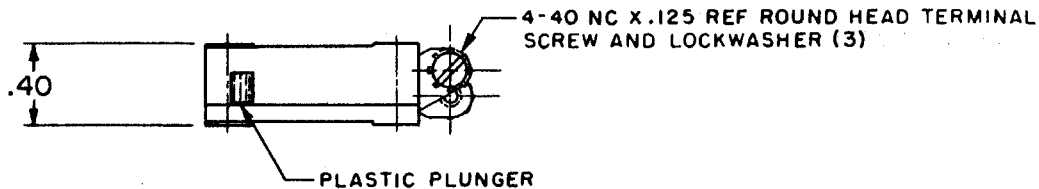
FED. MFG. CODE 91929

SWITCH-BASIC

CATALOG LISTING

V3-1001MILITARY STDS PARTS NO.
MS 25253-1**CK-L0100**

V3-1001
M
 DRAWING NUMBER
 ISSUE
 X 9
 X 8
 X 7
 X 6
 X 5
 X 4
 X 3
 X 2
 X 1
 REVISIONS
 A C020189 WEG 17 AUG 65
 B C021908 L E B 15 AUG 67
 C C024941 M B S 3 DEC 68
 D C026075 M B S 27 AUG 69
 E C026943 S R H 12 FEB 70
 F C048436 D J W 31 JAN 79
 G C076499 DCS 6 JAN 94
 H C078754 DCS 23 SEP 94
 FO-50378
 DRAWN
 L M H 6 DEC 62
 CHECK
 D A W 7 DEC 62
 CHECK
 B R J 7 DEC 62
 CHECK
 T D E C 62
 CHECK
 B R J 7 DEC 62
 CHECK
 R E L A S E N O . S R 10660
 R E P L A C E S

**NOTES**

- 1 - MARK "MS-25253-1" AND SOURCE CODE "91929" ON SWITCH AND LABEL OF PACKING BOX
- 2 - MARK SWITCH WITH CATALOG LISTING AND DATE CODE

THIS DRAWING COVERS A PROPRIETARY ITEM AND IS THE PROPERTY OF MICRO SWITCH, A DIVISION OF MINNEAPOLIS-HONEYWELL REGULATOR CO. THIS DRAWING IS NOT TO BE COPIED OR USED WITHOUT THE APPROVAL OF MICRO SWITCH.

CHARACTERISTICS

OPERATING FORCE ----- 6-14 OZ
 RELEASE FORCE ----- 4 OZ MIN
 RELEASE TRAVEL ----- .010 MIN
 DIFFERENTIAL TRAVEL ----- .006-.016
 OVERTRAVEL ----- .040 MIN
 FREE POSITION ----- .625 MAX

ELECTRICAL DATA

CONTACT ARRANGEMENT
S P D T

SCALE FULL

DO NOT SCALE PRINT

UNLESS OTHERWISE SPECIFIED
DIMENSIONS ARE IN INCHES
TOLERANCES ARE:

ONE PLACE (.0)	±.030
TWO PLACE (.00)	±.015
THREE PLACE (.000)	±.005
ANGLES	±

WEIGHT 9.1 GRAMS