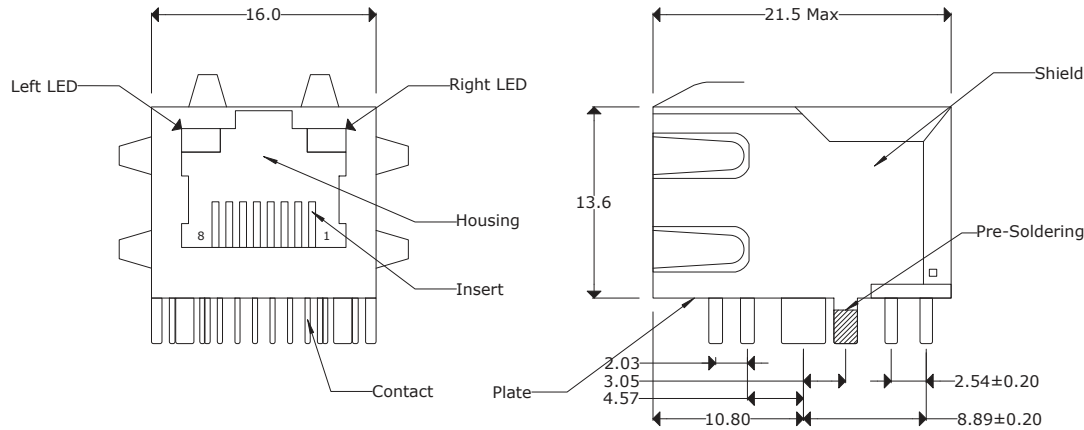
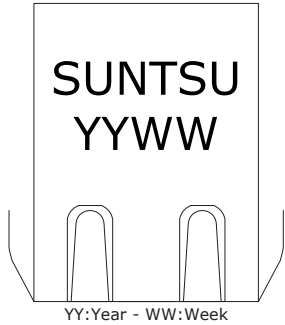
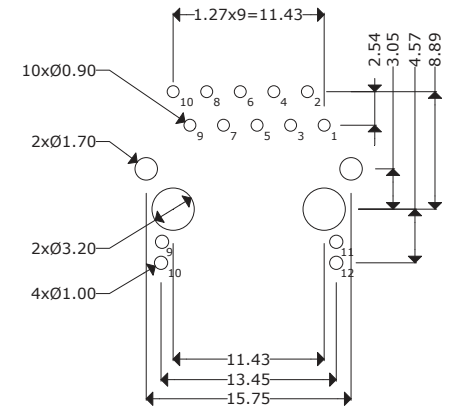


SCNRJ-1010GGMSEGY-073GSO RTH

SUNTSU | **RJ45** | **CONTACTS** 10:10 | **MAGNETIC** M: With | **EMI Finger** E: With | **OPERATING TEMP** 07: 0~70°C | **CONTACT TERMINATION** SO: SOLDER
CONNECTOR | **POSITIONS** 10:10 | **CONTACT PLATING** GG: 6u" Gold Plating | **SHIELD** S: With | **LED COLOR** GY: Left - Green Right - Yellow | **HEIGHT** 3G: 13.6mm | **MOUNTING STYLE** RTH: Right Angle Through Hole



PC Board Layout

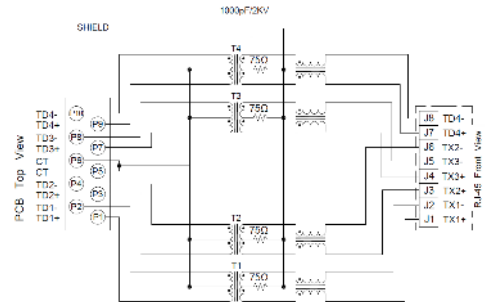


Electrical Parameters

Turn Ratio(±5%): 1CT:1CT
 Inductance(100KHz/0.1V@8mA): 350uH MIN
 Insertion Loss(dB MAX): -1.2dB(0.3-100MHz)
 Return Loss(dB MIN): -16dB(1-30MHz), -13.5dB(40MHz), -11.5dB(50MHz), -10dB(60-80MHz)
 Cross Talk(dB MIN): -40dB(30MHz), -36dB(60MHz), -30dB(100MHz)
 DCMR(dB MIN): -35dB(30MHz), -32dB(60MHz), -30dB(100MHz)
 HI-POT(Pri to Sec): 1500Vrms

Materials

Housing: Nylon 66 UL94V-0 Standard color Black
 Insert: Phos-Bronze C5210 EH--0.35 Thickness
 Insert: PBT GF UL94V-0
 Insert Plating: (1) Nickel (2) 100% Sn (3) Gold (6u")
 Plate: PBT GF UL 94V-0
 Contact Pin: Phos-Bronze C5191---0.35 Thickness
 Contact Plating: (1) Nickel (2) 100% Sn
 Shielding: Brass C2680 Plating Nickel



Remarks:
 Operating Life: 750 Cycles MIN.

Standard LED	Wavelength	Forward*V(MAX)	TYP
Green	565nm	2.5V	2.2V
Yellow	585nm	2.5V	2.1V

With a forward current of 20mA



1000 BASE-T SINGLE PORT RJ45 JACK MAGNETICS

Document History			
Edits Made	Date	Edited By	Approved By
Initial Release	10/06/2021	B. Gibbons	KH Mun

Part No.	SCNRJ-1010GGMSEGY-073GSORTRH	Drawn	B. Gibbons
Scale	Not drawn to scale	Pages	10/06/2021
Unit	mm	Unless otherwise specified, all tolerances are ±0.25	