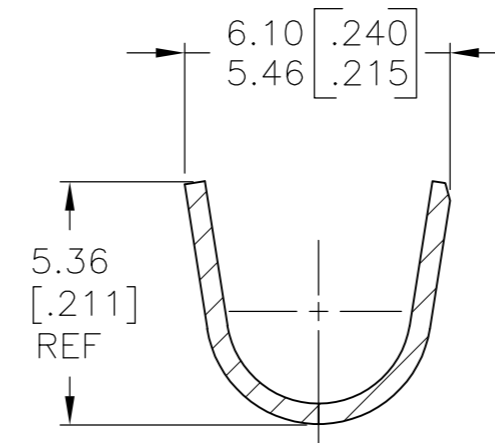
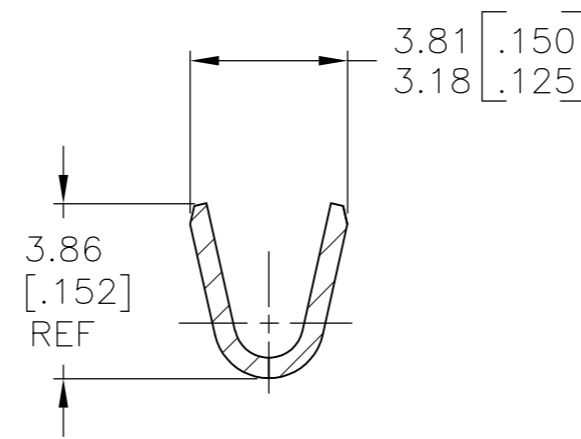
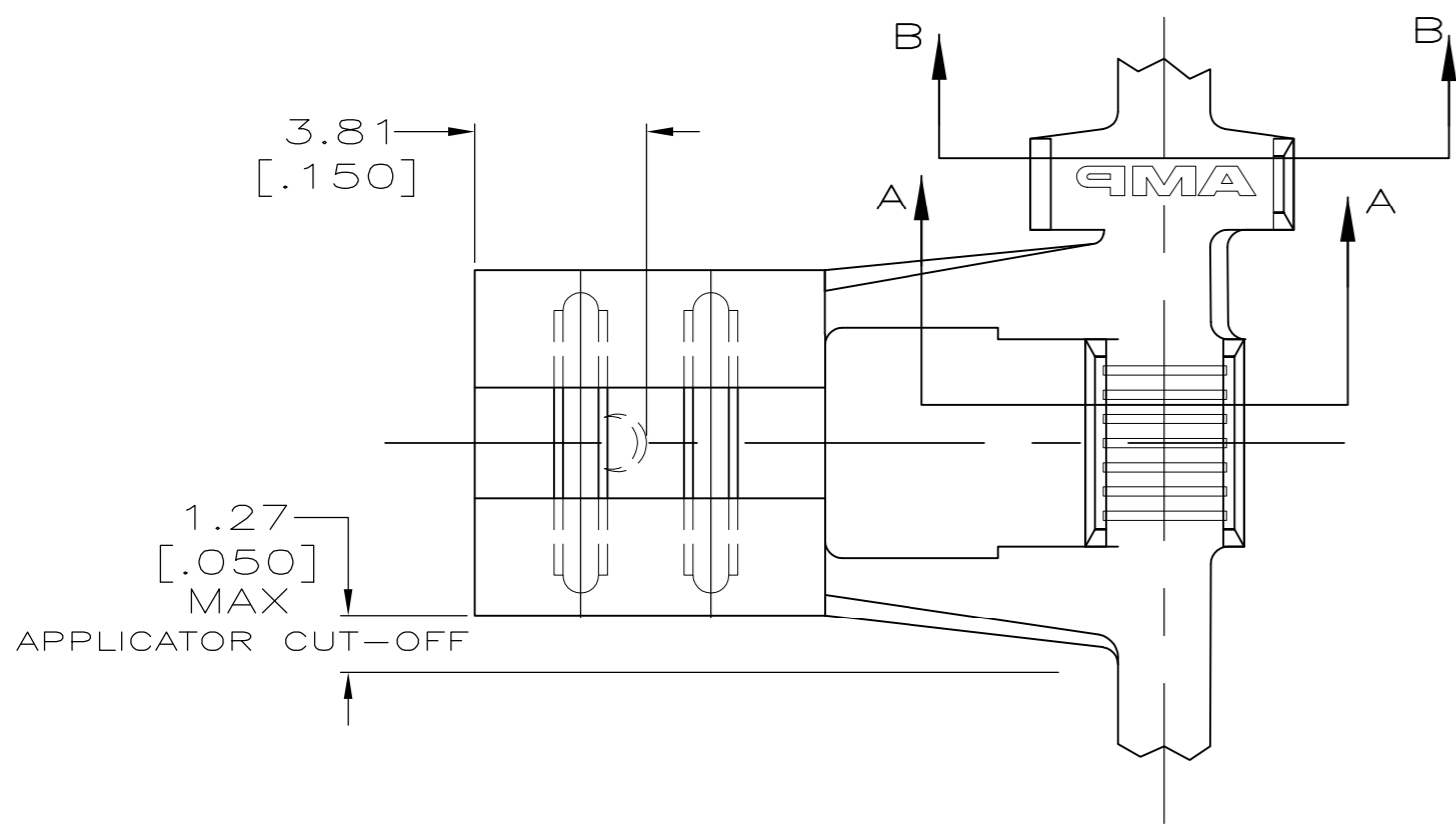


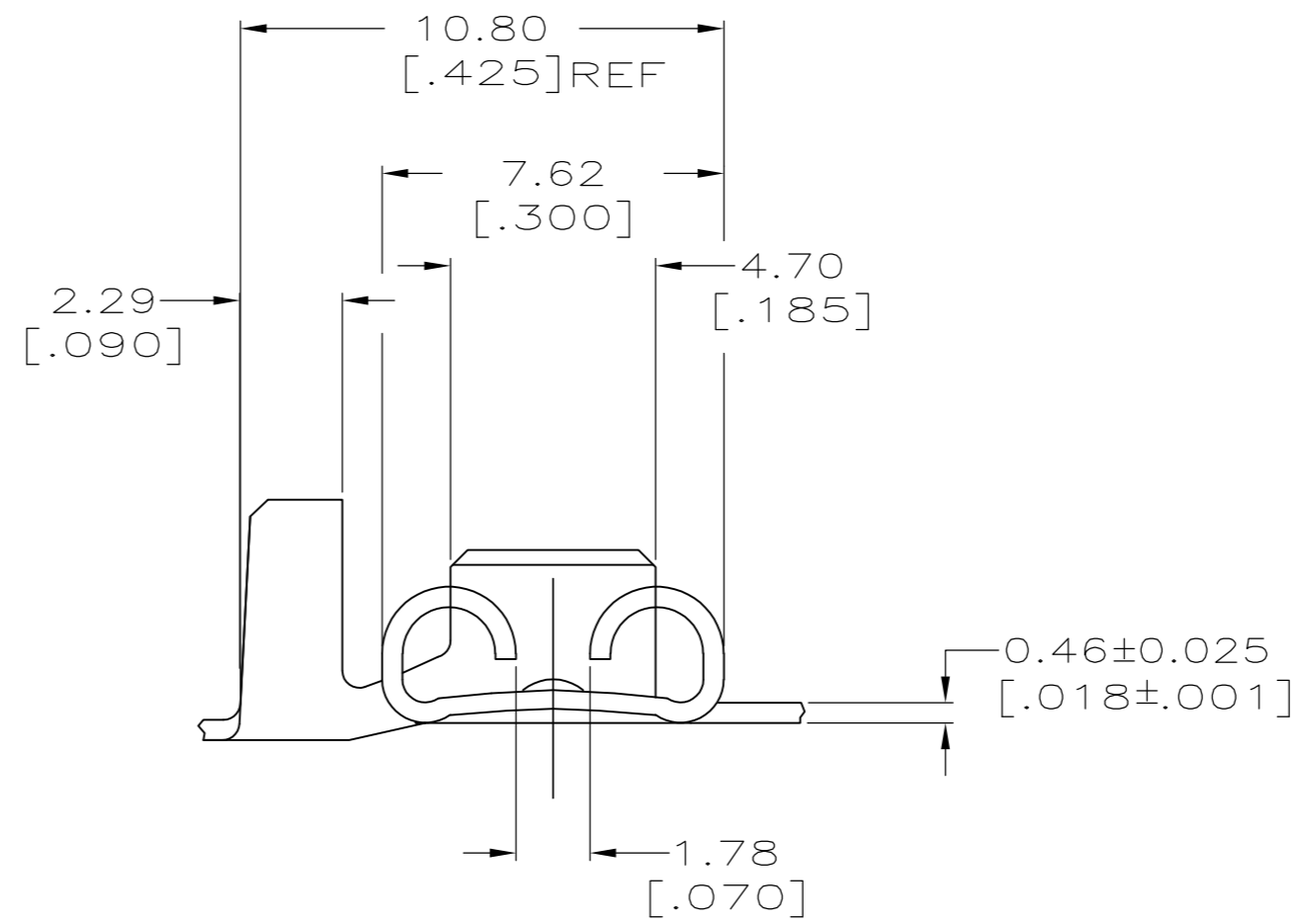
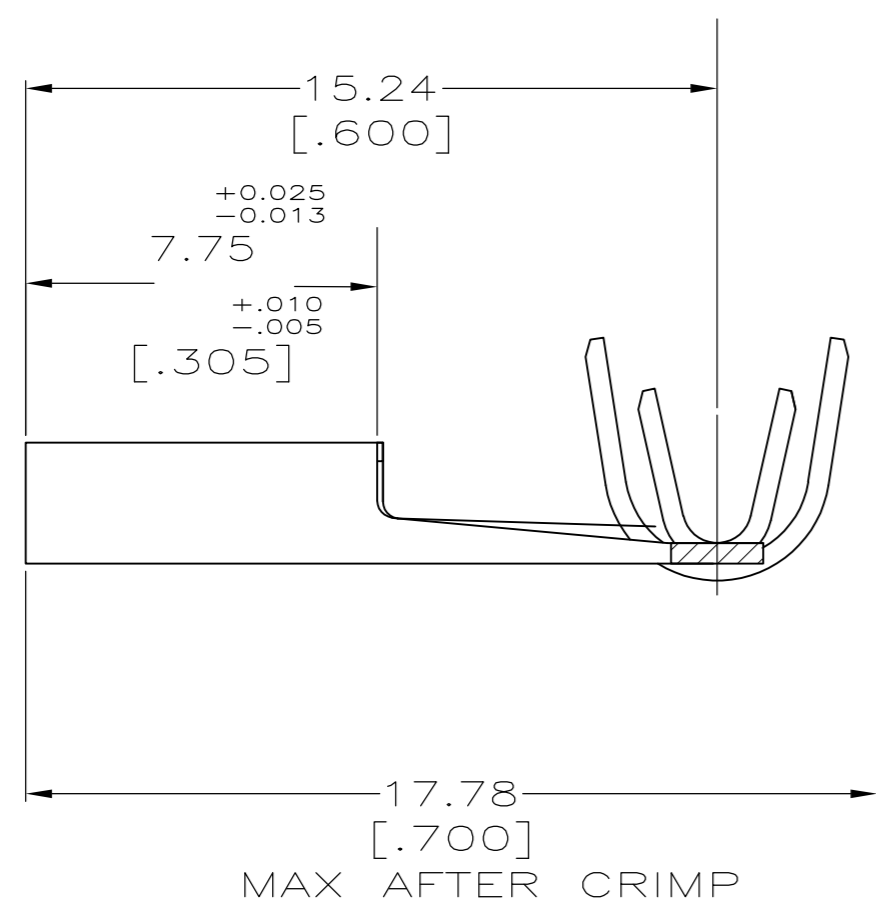
THIS DRAWING IS UNPUBLISHED. RELEASED FOR PUBLICATION
 © COPYRIGHT - By - ALL RIGHTS RESERVED.

LOC	DIST	REVISIONS			
P	LTR	DESCRIPTION	DATE	DWN	APVD
AF	50				
A2		REVISED PER ECR-14-016967	14NOV2014	GRZ	JL



SECTION A-A

SECTION B-B



- 1 CONTINUOUS STRIP ON REELS
- 2 MATING TAB THK TO BE 0.813±0.025 [.032±.001].
- 3 WIRE SIZE IS [#18-#14] AWG.
- 4 INSULATION RANGE IS 3.05-4.32 [.120-.170] DIA.

1742944

B

A

1742944-1
 PART NO.

THIS DRAWING IS A CONTROLLED DOCUMENT. DIMENSIONING AND TOLERANCING PER ASME Y14.5M-2009		DWN JR RUTH 27DEC11	TE Connectivity	
DIMENSIONS: mm [INCHES]		CHK KURT RANDOLPH 27DEC11	RECEPTACLE, FASTON, FLAG, AMPLIVAR, 6.35 [.250] SERIES	
TOLERANCES UNLESS OTHERWISE SPECIFIED: 0 PLC ± - 1 PLC ± - 2 PLC ± 0.25 [.010] 3 PLC ± - 4 PLC ± - ANGLES ± -		APVD KURT RANDOLPH 27DEC11	NAME	
MATERIAL H03 PHOS BRONZE		FINISH 0.002032 [.000080] MIN TIN	PRODUCT SPEC APPLICATION SPEC	RESTRICTED TO
CUSTOMER DRAWING		WEIGHT -	SIZE A2	CAGE CODE 00779
		SCALE 6:1	DRAWING NO. 1742944	SHEET 1 of 1
			REV A2	