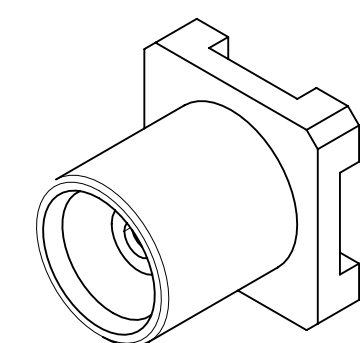


MATERIALS & FINISHES:

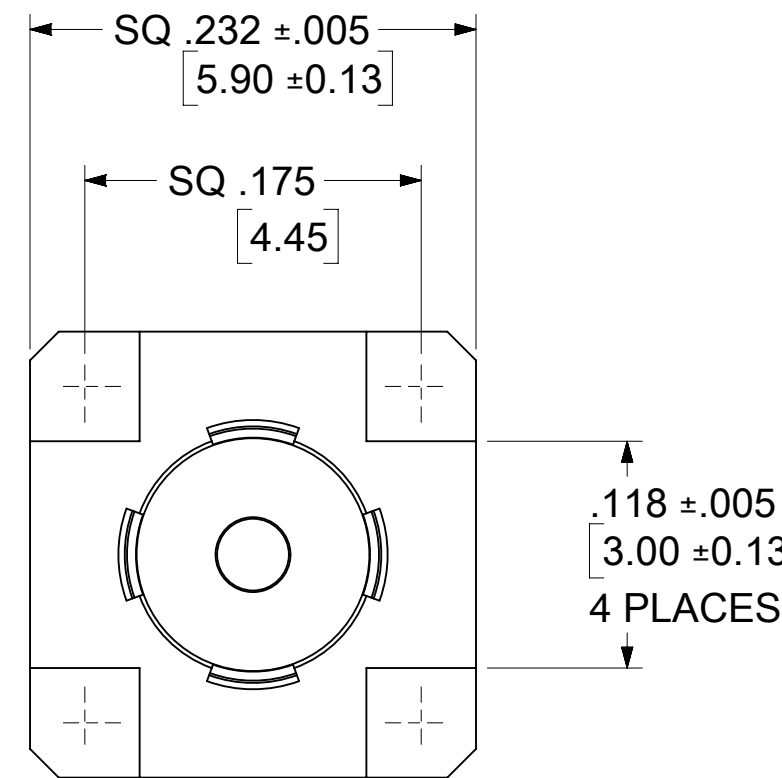
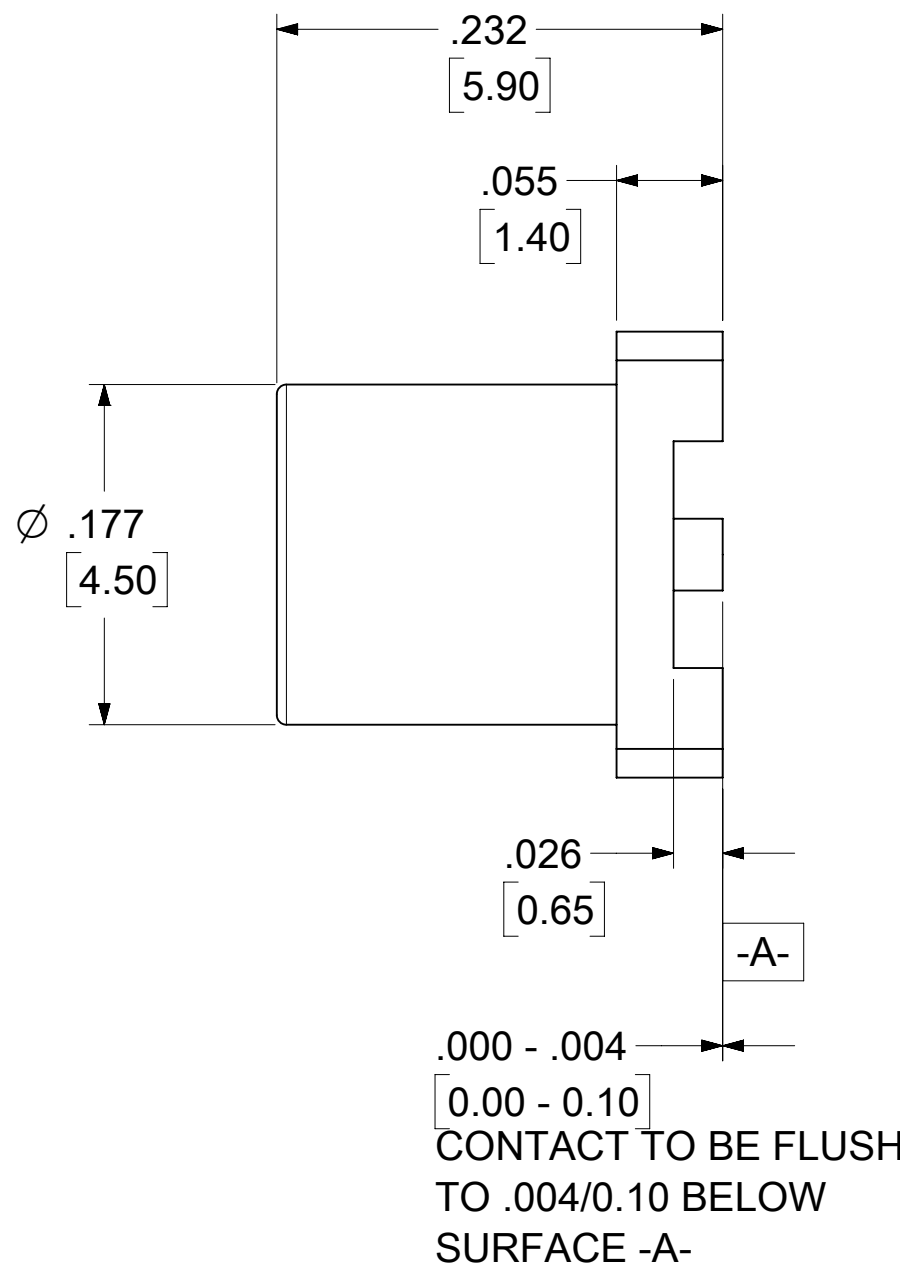
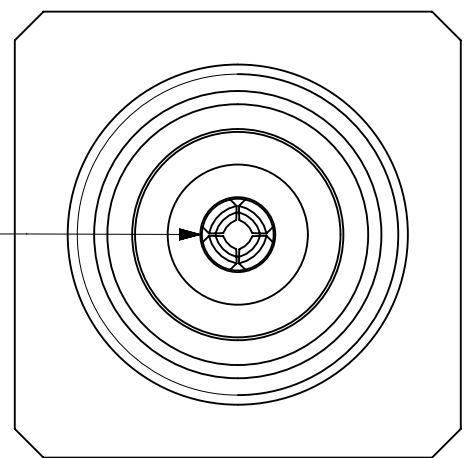
BODY: BRASS
PLATING SEE TABLE

CONTACT: BERYLLIUM COPPER
GOLD (30µ-in MIN)

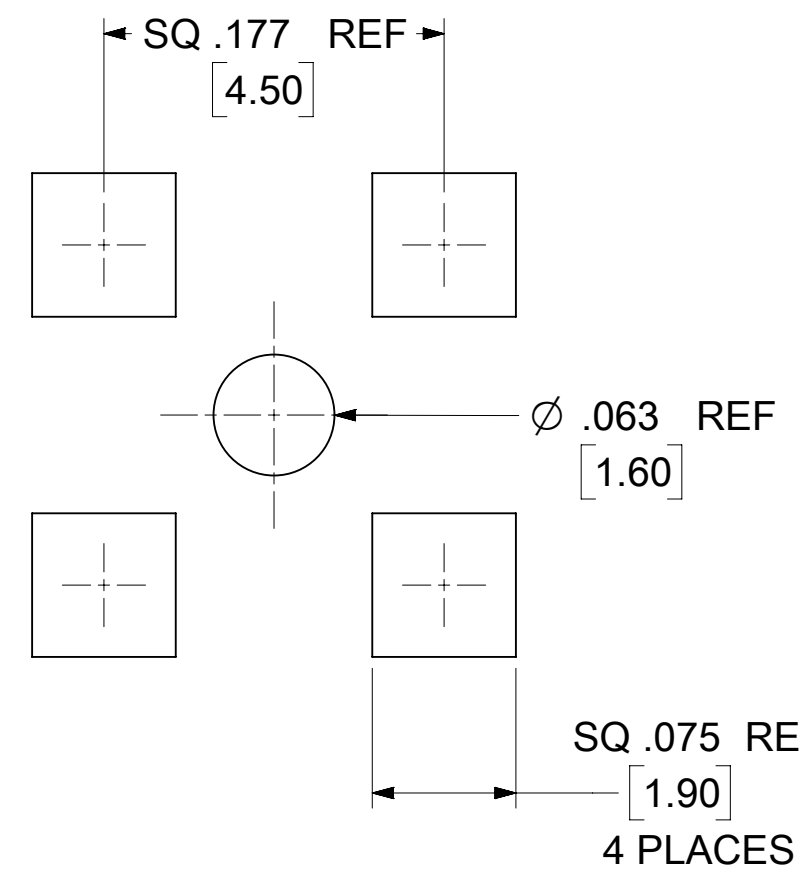
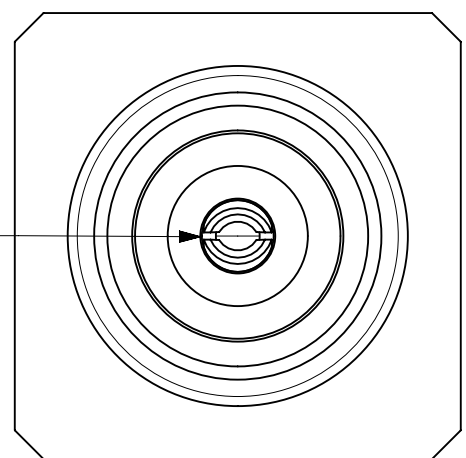
INSULATOR: TEFLON



NOTE:
 73415-1696 & 73415-1697
 WITH 4 SLOTS CONTACT



NOTE:
 73415-1690 & 73415-1691 &
 73415-1692 & 73415-1693 &
 73415-1694 & 73415-1695 &
 73415-1698 & 73415-1699 &
 73366-6510
 WITH 2 SLOTS CONTACT



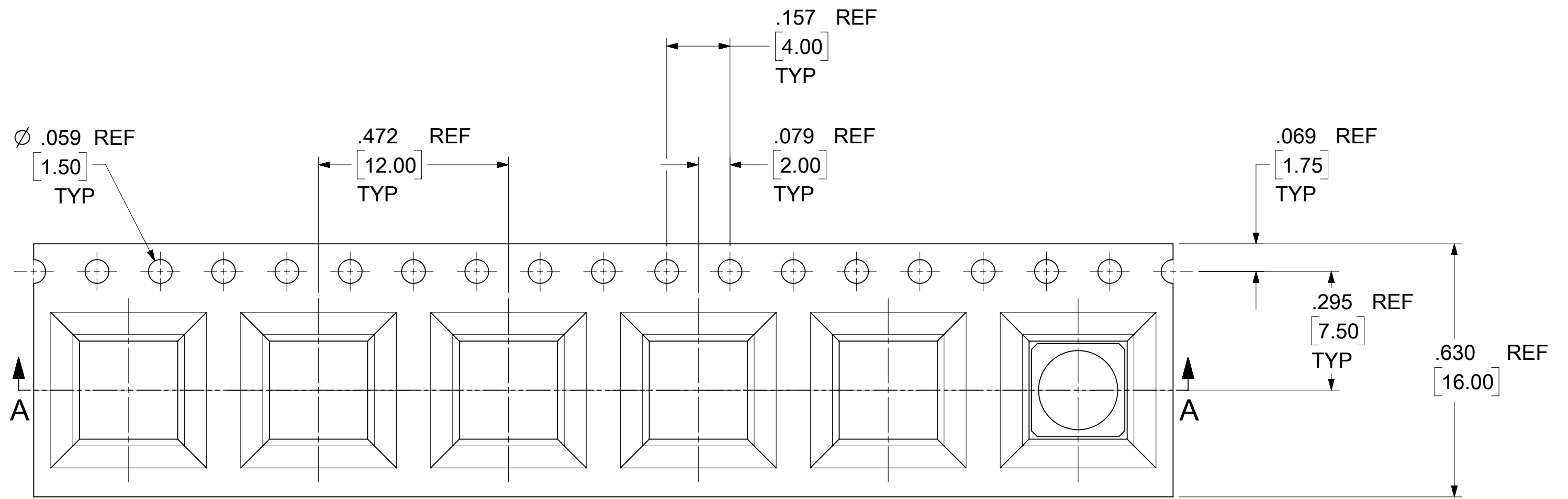
RECOMMENDED MOUNTING PATTERN

73366-6510	GOLD (1µ-in MIN)	2 SLOTS	73415-1691 TAPE & REEL WITH KAPTON	750 PCS PER REEL	SHEET 2, 3 & 4
73415-1699	GOLD (1µ-in MIN)	2 SLOTS	73416-1691 ONE PER BAG	1 PCS PER BAG	895420089
73415-1698	GOLD (30µ-in MIN)	2 SLOTS	73415-1698 TAPE & REEL WITH KAPTON	750 PCS PER REEL	SHEET 2, 3 & 4
73415-1697	GOLD (1µ-in MIN)	4 SLOTS	73415-1696 TAPE & REEL WITH KAPTON	750 PCS PER REEL	SHEET 2, 3 & 4
73415-1696	GOLD (1µ-in MIN)	4 SLOTS	73415-1696 BAG	500 PCS PER BAG	895420601
73415-1695	NICKEL	2 SLOTS	73415-1690 TAPE & REEL WITH KAPTON	750 PCS PER REEL	SHEET 2, 3 & 4
73415-1694	GOLD (1µ-in MIN)	2 SLOTS	73416-1691 SMALL TRAY	20 PCS PER TRAY	895420200
73415-1693	NICKEL	2 SLOTS	73415-1690 SMALL TRAY	20 PCS PER TRAY	895420200
73415-1692	GOLD (1µ-in MIN)	2 SLOTS	73415-1691 TAPE & REEL WITH KAPTON	750 PCS PER REEL	SHEET 2, 3 & 4
73415-1691	GOLD (1µ-in MIN)	2 SLOTS	73415-1691 BAG	500 PCS PER BAG	895420161
73415-1690	NICKEL	2 SLOTS	73415-1690 BAG	500 PCS PER BAG	895420161
PART NO.	BODY PLATING	CONTACT	DESCRIPTION	QUANTITY	PACKING SPEC

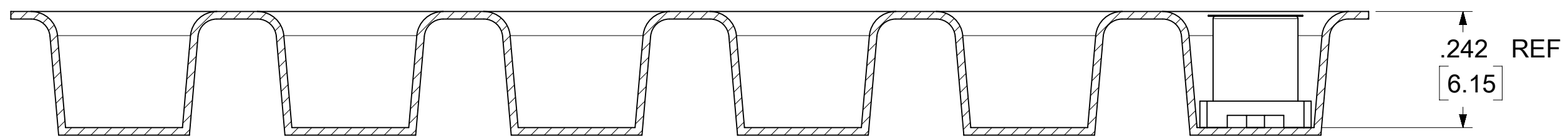
PS-89675-183	ELEC/MECH PERFORMANCE
SPECIFICATION	DESCRIPTION

THIS DRAWING CONTAINS INFORMATION THAT IS PROPRIETARY TO MOLEX ELECTRONIC TECHNOLOGIES, LLC AND SHOULD NOT BE USED WITHOUT WRITTEN PERMISSION

DIMENSION UNITS	SCALE	CURRENT REV DESC: ADD PACKING SPEC PER EWR #15848-A	molex		
INCH/MM	NTS				
GENERAL TOLERANCES (UNLESS SPECIFIED)			MCX PCB/SMT JACK 50 OHM MCX-J/PCB/SMT EWR-1148		
	MM	INCH			
4 PLACES	±	±	PRODUCT CUSTOMER DRAWING		
3 PLACES	±	± 0.01			
2 PLACES	±	0.25	DOCUMENT NUMBER: SD-73415-169 DOC TYPE: PSD DOC PART: 001 REVISION: B7		
1 PLACE	±	±			
0 PLACES	±	±	MATERIAL NUMBER: SEE TABLE CUSTOMER: GENERAL MARKET SHEET NUMBER: 1 OF 4		
ANGULAR TOL	±	2.0 °			
DRAFT WHERE APPLICABLE MUST REMAIN WITHIN DIMENSIONS			THIRD ANGLE PROJECTION	DRAWING: C-SIZE	SERIES: 73415



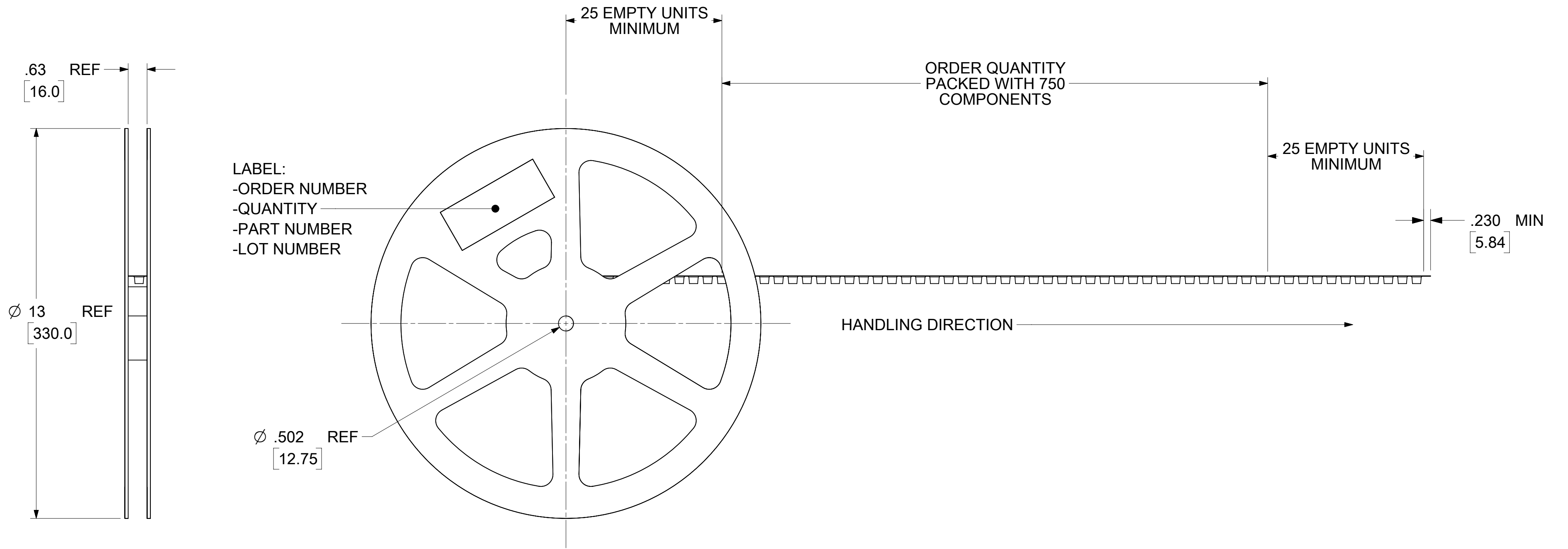
VIEWS FOR 73415-1692 & 73415-1695 & 73415-1697 & 73415-1698 & 73366-6510



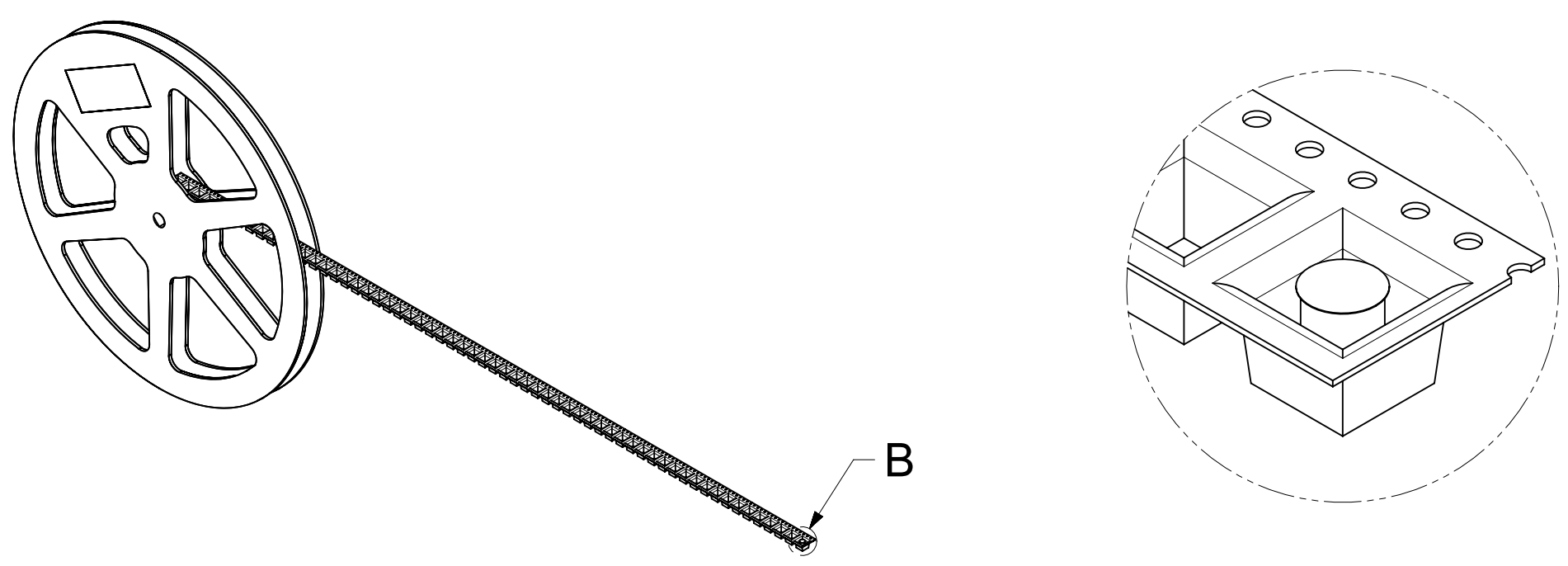
SECTION A-A

THIS DRAWING CONTAINS INFORMATION THAT IS PROPRIETARY TO MOLEX ELECTRONIC TECHNOLOGIES, LLC AND SHOULD NOT BE USED WITHOUT WRITTEN PERMISSION										
DIMENSION UNITS INCH/MM		SCALE NTS		CURRENT REV DESC: ADD PACKING SPEC PER EWR #15848-A			molex			
GENERAL TOLERANCES (UNLESS SPECIFIED)				EC NO: 750290						MCX PCB/SMT JACK 50 OHM MCX-J/PCB/SMT EWR-1148
4 PLACES		±	±	DRWN: RYEH			2023/05/10			
3 PLACES		±	± 0.01	CHK'D: YCHENG			2023/05/24			
2 PLACES		± 0.25	±	APPR: YCHENG			2023/05/24			
1 PLACE		±	±	INITIAL REVISION:			DOCUMENT NUMBER			
0 PLACES		±	±	DRWN: YCHENG			SD-73415-169			
ANGULAR TOL		± 2.0 °		APPR: MHUANG			PSD 001 B7			
DRAFT WHERE APPLICABLE MUST REMAIN WITHIN DIMENSIONS				THIRD ANGLE PROJECTION		DRAWING	SERIES	MATERIAL NUMBER	CUSTOMER	SHEET NUMBER
						C-SIZE	73415	SEE TABLE	GENERAL MARKET	2 OF 4

DOCUMENT STATUS	P1	RELEASE DATE	2023/05/24	11:34:23
-----------------	----	--------------	------------	----------



VIEWS FOR 73415-1692 & 73415-1695 & 73415-1697 & 73415-1698 & 73366-6510



DETAIL B

THIS DRAWING CONTAINS INFORMATION THAT IS PROPRIETARY TO MOLEX ELECTRONIC TECHNOLOGIES, LLC AND SHOULD NOT BE USED WITHOUT WRITTEN PERMISSION									
DIMENSION UNITS INCH/MM		SCALE NTS		CURRENT REV DESC: ADD PACKING SPEC PER EWR #15848-A			molex		
GENERAL TOLERANCES (UNLESS SPECIFIED)				EC NO: 750290					
		MM	INCH	DRWN: RYEH 2023/05/10			PRODUCT CUSTOMER DRAWING		
4 PLACES		±	±	CHK'D: YCHENG 2023/05/24			DOCUMENT NUMBER		
3 PLACES		±	± 0.01	APPR: YCHENG 2023/05/24			SD-73415-169		
2 PLACES		± 0.25	±	INITIAL REVISION:			DOC TYPE DOC PART REVISION		
1 PLACE		±	±	DRWN: YCHENG 2007/02/08			PSD 001 B7		
0 PLACES		±	±	APPR: MHUANG 2007/02/09			MATERIAL NUMBER CUSTOMER SHEET NUMBER		
ANGULAR TOL		± 2.0 °		THIRD ANGLE PROJECTION		DRAWING		SERIES	
DRAFT WHERE APPLICABLE MUST REMAIN WITHIN DIMENSIONS				C-SIZE		73415		SEE TABLE GENERAL MARKET 3 OF 4	

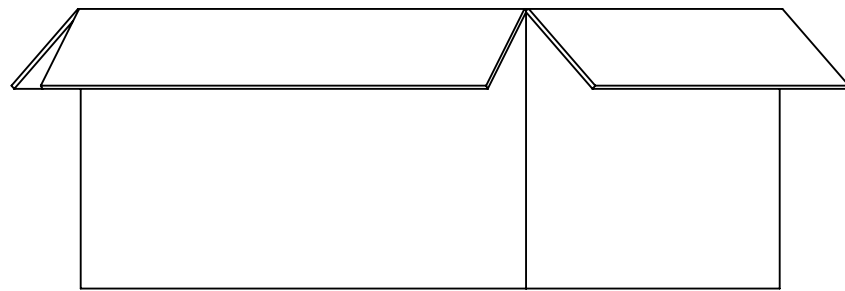
DOCUMENT STATUS	P1	RELEASE DATE	2023/05/24	11:34:23
-----------------	----	--------------	------------	----------

73415-1698	73415-1698 TAPE & REEL WITH KAPTON	750 PCS	6000 PCS
73415-1697	73415-1696 TAPE & REEL WITH KAPTON	750 PCS	6000 PCS
73415-1695	73415-1690 TAPE & REEL WITH KAPTON	750 PCS	6000 PCS
73415-1692	73415-1691 TAPE & REEL WITH KAPTON	750 PCS	6000 PCS
PART NO.	DESCRIPTION	QTY/REEL	QTY/CARTON

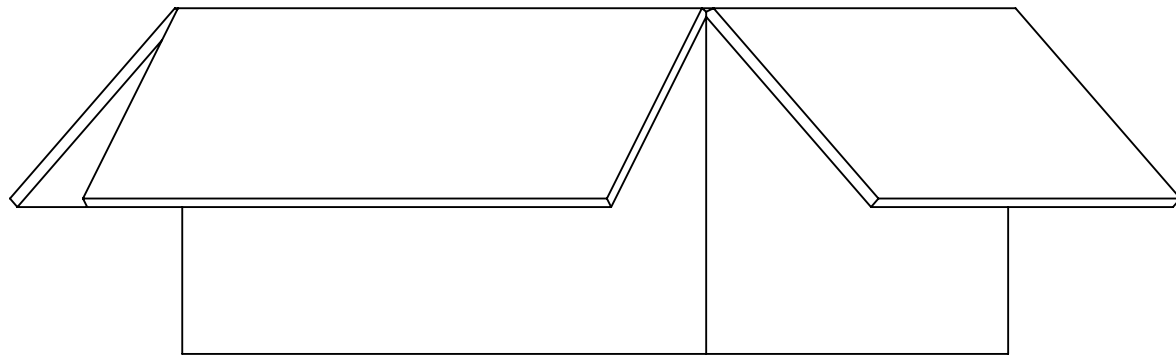
73366-6510	73415-1691 TAPE & REEL WITH KAPTON	750 PCS	750 PCS
PART NO.	DESCRIPTION	QTY/REEL	QTY/CARTON



750 PCS PER REEL



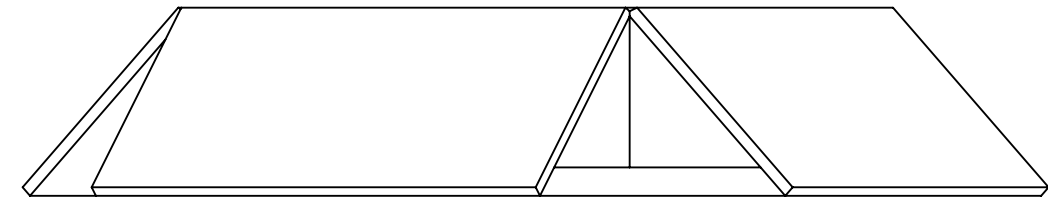
8 REELS PER INNER CARTON BOX
(8 X 750 = 6000 PCS)



8 REELS PER OUTER CARTON BOX
(8 X 750 = 6000 PCS)



750 PCS PER REEL



1 REEL PER CARTON BOX
(1 X 750 = 750 PCS)

THIS DRAWING CONTAINS INFORMATION THAT IS PROPRIETARY TO MOLEX ELECTRONIC TECHNOLOGIES, LLC AND SHOULD NOT BE USED WITHOUT WRITTEN PERMISSION

DIMENSION UNITS		SCALE		CURRENT REV DESC: ADD PACKING SPEC PER EWR #15848-A		molex				
INCH/MM		NTS								
GENERAL TOLERANCES (UNLESS SPECIFIED)				EC NO: 750290		MCX PCB/SMT JACK 50 OHM MCX-J/PCB/SMT EWR-1148				
		MM	INCH							
4 PLACES	±		±	DRWN: RYEH		PRODUCT CUSTOMER DRAWING				
3 PLACES	±		± 0.01	2023/05/10						
2 PLACES	±	0.25	±	CHK'D: YCHENG		DOCUMENT NUMBER				
1 PLACE	±		±	2023/05/24						SD-73415-169
0 PLACES	±		±	INITIAL REVISION:		SEE TABLE		PSD	001	
ANGULAR TOL		± 2.0 °		DRWN: YCHENG						MATERIAL NUMBER
DRAFT WHERE APPLICABLE MUST REMAIN WITHIN DIMENSIONS		THIRD ANGLE PROJECTION		APPR: MHUANG		C-SIZE		GENERAL MARKET		
										SERIES
						73415				

DOCUMENT STATUS	P1	RELEASE DATE	2023/05/24	11:34:23
-----------------	----	--------------	------------	----------