

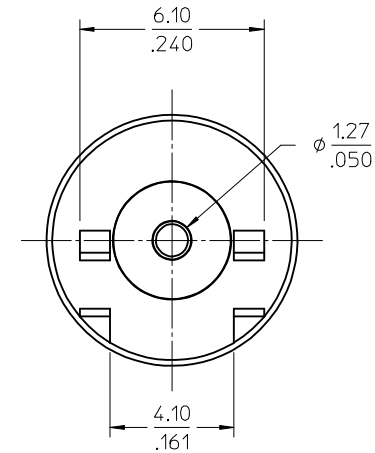
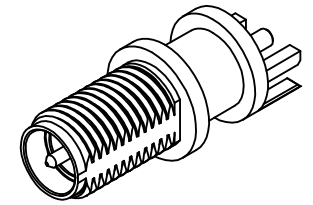
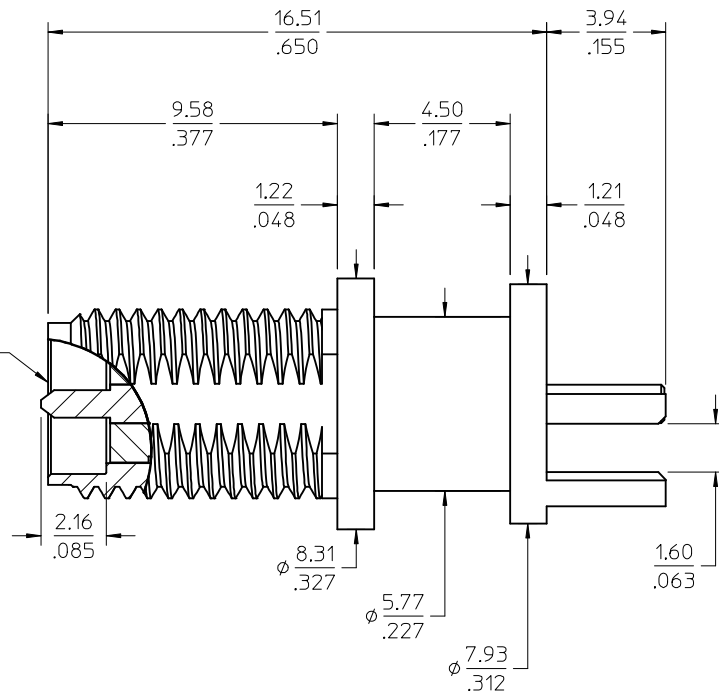
MATERIALS AND FINISHES

BODY BRASS
PLATED NICKEL

CENTER CONTACT BRASS
PLATED GOLD

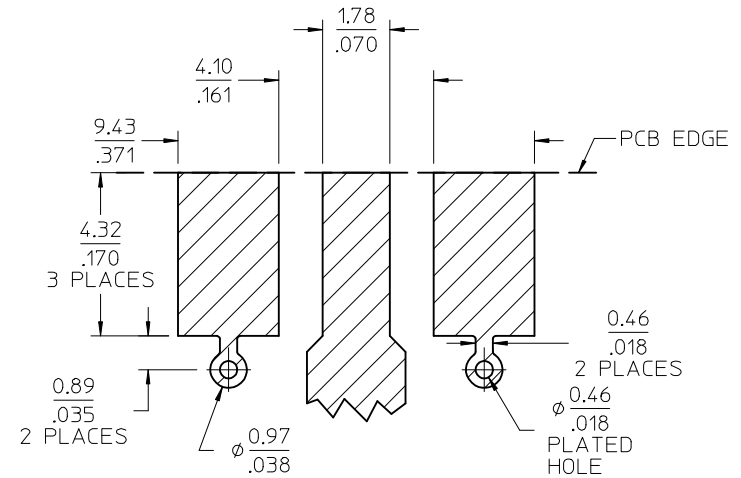
INSULATOR TEFLON

SMA JACK
REVERSE POLAR
INTERFACE



RECOMMENDED PAD LAYOUT

BASE WIDTH: 6.10(.240) NOM.
BOARD THICKNES: 1.40(.055) NOM.
BOARD MATERIAL: FR4 W/1.0 OZ
COPPER BOTH
SIDES



73251-2320	TRAY
PART NO	PACKAGING

<p>CHG: ADD RECOMMENDED PAD LAYOUT PER RF14-E073</p> <p>EC NO: URF2014-0399 DRAWN BY: DRWNYEH CHKD: APPR: MHUANG</p> <p>2014/01/06 2014/01/15</p>	<p>QUALITY SYMBOLS</p> <p>▽=0</p> <p>▽=0</p> <p>▽=0</p>	<p>GENERAL TOLERANCES (UNLESS SPECIFIED)</p> <table border="1"> <thead> <tr> <th></th> <th>mm</th> <th>INCH</th> </tr> </thead> <tbody> <tr> <td>4 PLACES</td> <td>± .005</td> <td>± .0002</td> </tr> <tr> <td>3 PLACES</td> <td>± .005</td> <td>± .0002</td> </tr> <tr> <td>2 PLACES</td> <td>± .005</td> <td>± .0002</td> </tr> <tr> <td>1 PLACE</td> <td>± .005</td> <td>± .0002</td> </tr> <tr> <td>0 PLACE</td> <td>± .005</td> <td>± .0002</td> </tr> </tbody> </table> <p>ANGULAR ± 2 °</p> <p>DRAFT WHERE APPLICABLE MUST REMAIN WITHIN DIMENSIONS</p>		mm	INCH	4 PLACES	± .005	± .0002	3 PLACES	± .005	± .0002	2 PLACES	± .005	± .0002	1 PLACE	± .005	± .0002	0 PLACE	± .005	± .0002	<p>DIMENSION STYLE MM/IN</p> <p>DRAWN BY: AZR DATE: 2003/11/17</p> <p>CHECKED BY: _____ DATE: _____</p> <p>APPROVED BY: _____ DATE: _____</p>	<p>SCALE 10:1</p> <p>DESIGN UNITS METRIC</p> <p>THIRD ANGLE PROJECTION</p>	<p>TITLE</p> <p>SMA JACK, EDGE MOUNT 50 OHMS, REVERSE POLAR EWR-2237 SMA-J/RP/PCB</p> <p>molex</p>	<p>MATERIAL NO. SEE TABLE</p> <p>DOCUMENT NO. SD-73251-232</p> <p>SHEET NO. 1 OF 1</p>
				mm	INCH																			
			4 PLACES	± .005	± .0002																			
			3 PLACES	± .005	± .0002																			
2 PLACES	± .005	± .0002																						
1 PLACE	± .005	± .0002																						
0 PLACE	± .005	± .0002																						
<p>THIS DRAWING CONTAINS INFORMATION THAT IS PROPRIETARY TO MOLEX INCORPORATED AND SHOULD NOT BE USED WITHOUT WRITTEN PERMISSION</p>																								
<p>SIZE C</p>																								
<p>A1</p>																								