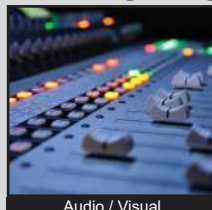


# LB22 SERIES PUSHBUTTON SWITCH

ANTI-VANDAL SWITCHES  
DETECTOR SWITCHES  
DIP SWITCHES  
KEYLOCK SWITCHES  
NAVIGATION SWITCHES  
PUSHBUTTON SWITCHES  
ROCKER SWITCHES  
ROTARY SWITCHES  
SLIDE SWITCHES  
SNAP ACTION SWITCHES  
TACTILE SWITCHES  
TOGGLE SWITCHES  
CAP OPTIONS



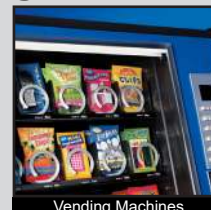
## APPLICATIONS / MARKETS



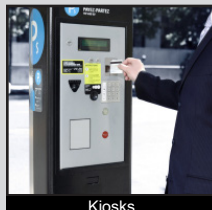
Audio / Visual



Consumer Electronics



Vending Machines



Kiosks



Instrumentation



Medical Equipment

**RoHS**

## SPECIFICATIONS

**Electrical Rating:** 3A @ 250VAC  
**Electrical Life:** 50,000 Cycles  
**Contact Resistance:** 50mΩ Max. @1A 12VDC (Initial)  
**Insulation Resistance:** 1,000 MΩ Min. @ 500VDC  
**Dielectric Strength:** 2,000VAC  
**Operating/Storage Temperature:** -20°C to 55°C  
**Travel:** 3.20mm  
**Contacts:** Silver or Gold Plating  
**Contact Arrangement:** SPDT, DPDT  
**Actuation Force:** SPDT: 2.5±1N; DPDT: 3.5±1N  
**Panel Thickness:** 6.0mm MAX.  
**Moisture Protection:** IP65  
**Mounting Nut Torque:** 0.3 - 0.5Nm

## FEATURES & BENEFITS

- Single pole or double pole functions
- Multiple color options
- Multiple cap color and style options
- Latching or momentary options
- Silver or Gold contact material
- IP65 rated

## PART NUMBER CONFIGURATOR

Series	Actuator Type	Terminal	Function	Contact Material	Actuator Color	Lens Style	LED Color	Illumination Voltage
<input type="text" value="LB22"/>	<input type="text" value="F = Flat"/>	<input type="text" value="2 = Solder Lug"/>	<input type="text" value="3 = 1P ON-ON&lt;br/&gt;B = 1P ON-(ON)&lt;br/&gt;G = 2P ON-ON&lt;br/&gt;H = 2P ON-(ON)"/>	<input type="text" value="Q = Silver&lt;br/&gt;R = Gold"/>	<input type="text" value="0 = Transparent Clear&lt;br/&gt;1 = Transparent Red&lt;br/&gt;3 = Transparent Green&lt;br/&gt;4 = Transparent Blue&lt;br/&gt;5 = Transparent Orange&lt;br/&gt;6 = Silver (Power Symbol Illum.)&lt;br/&gt;7 = Silver (Non Illum.)"/>	<input type="text" value="NONE = Non-Illuminated&lt;br/&gt;1 = Full Illumination&lt;br/&gt;5 = Power Symbol Illuminated (Silver Actuator only)"/>	<input type="text" value="NONE = Non-Illuminated&lt;br/&gt;0 = White&lt;br/&gt;1 = Red&lt;br/&gt;3 = Green&lt;br/&gt;4 = Blue&lt;br/&gt;5 = Yellow"/>	<input type="text" value="NONE = Non-Illuminated&lt;br/&gt;1 = 3V&lt;br/&gt;3 = 6V&lt;br/&gt;4 = 12V&lt;br/&gt;5 = 24V&lt;br/&gt;6 = 110V&lt;br/&gt;7 = 220V"/>

NOTES:  
1) (ON) Denotes function is momentary.

Specifications subject to change without notice 8.22.2022



**E-SWITCH®**

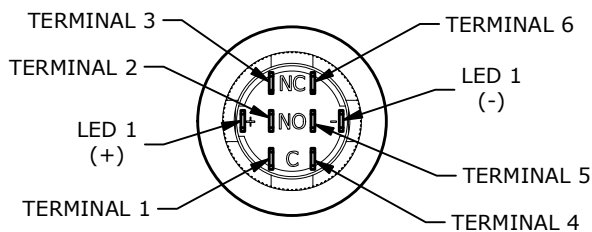
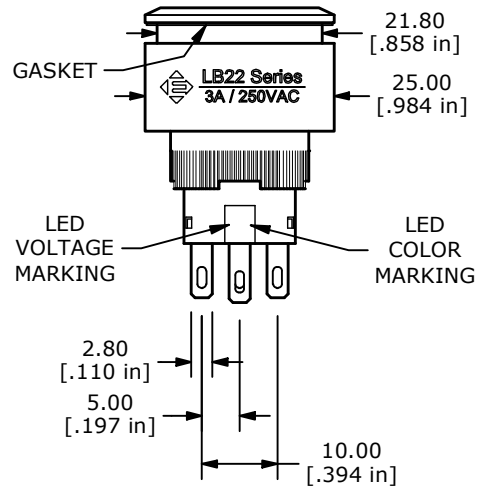
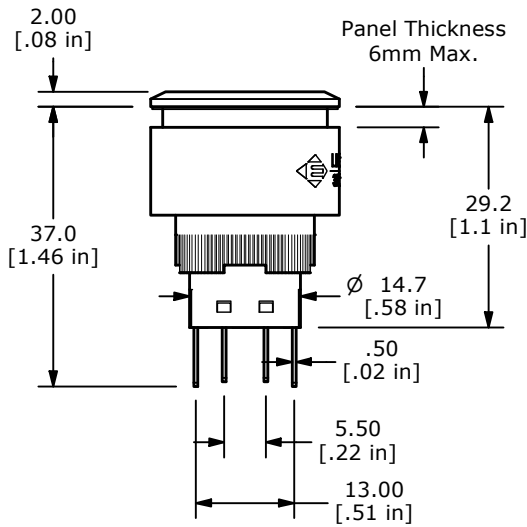
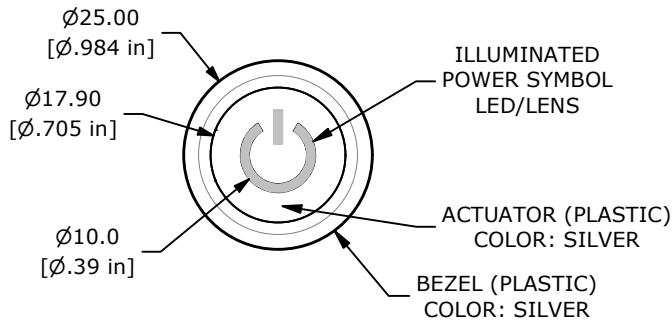
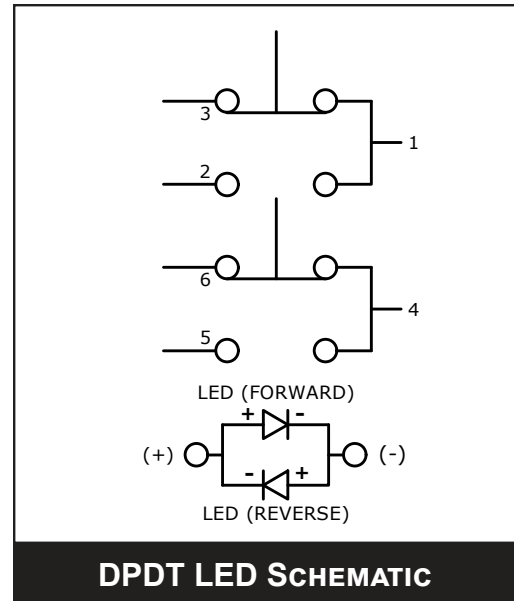
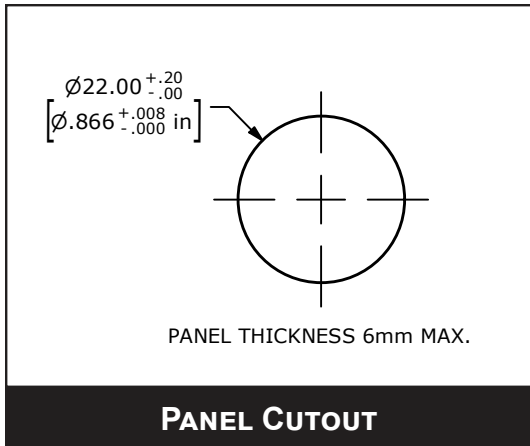
www.e-switch.com

800.867.2717

1

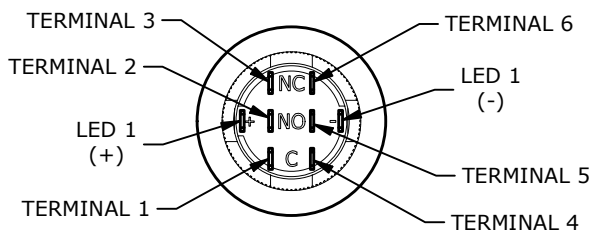
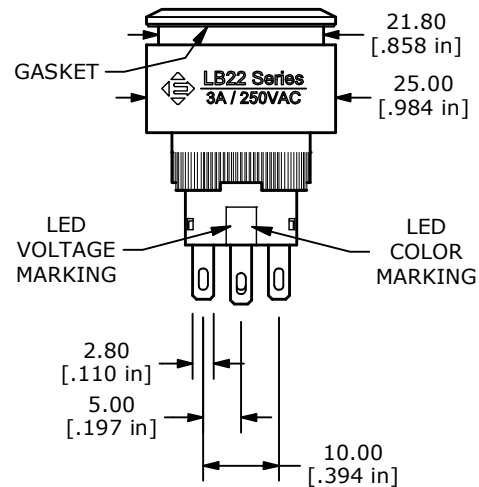
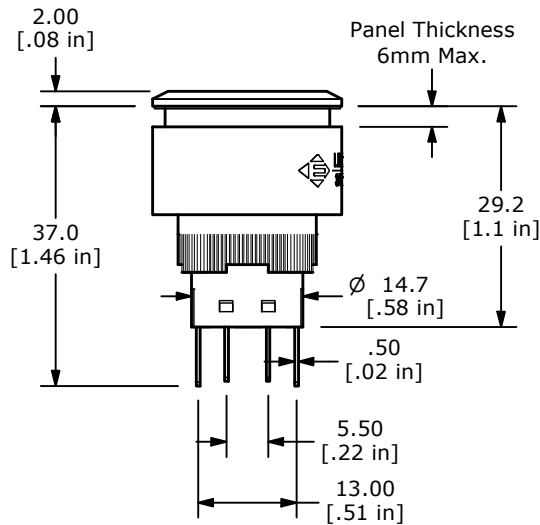
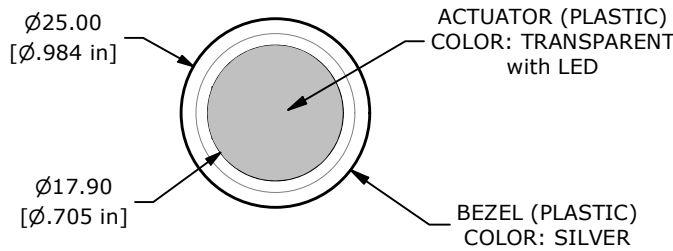
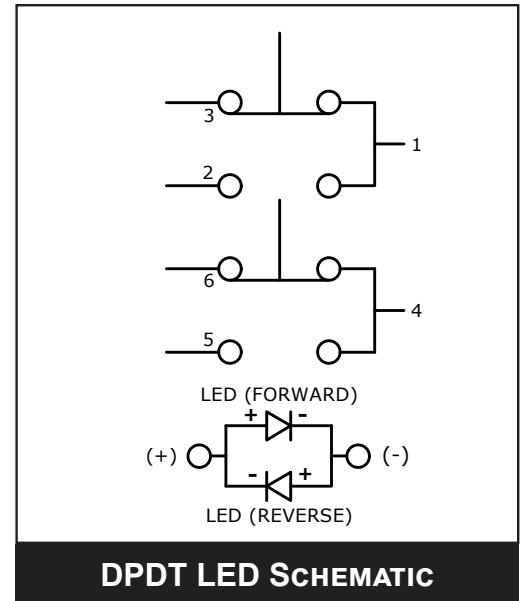
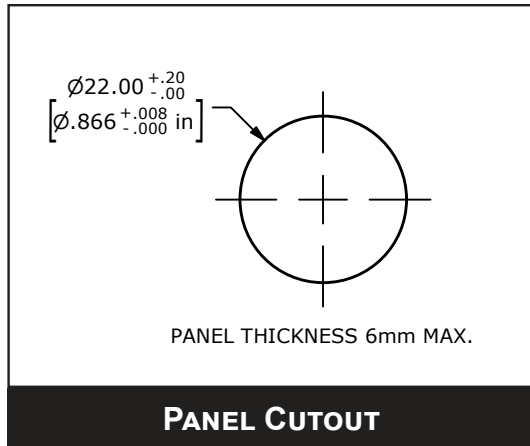
# LB22 SERIES PUSHBUTTON SWITCH

## BODY DIMENSIONS LED POWER SYMBOL



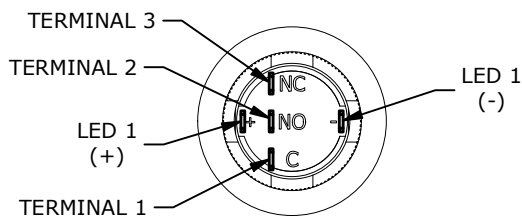
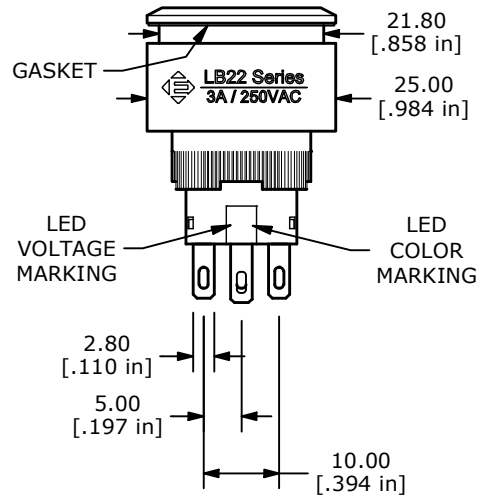
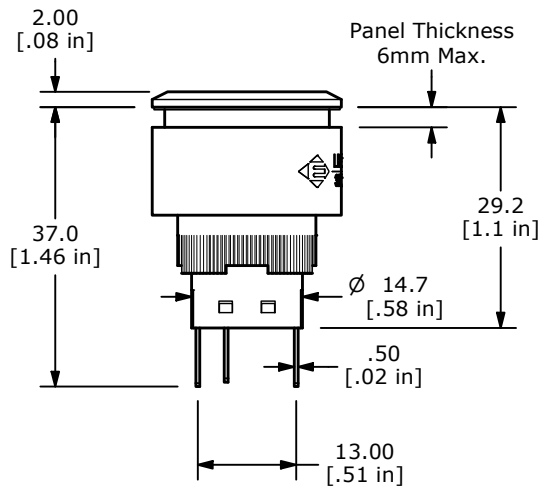
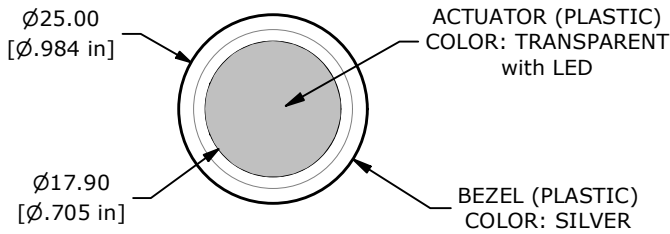
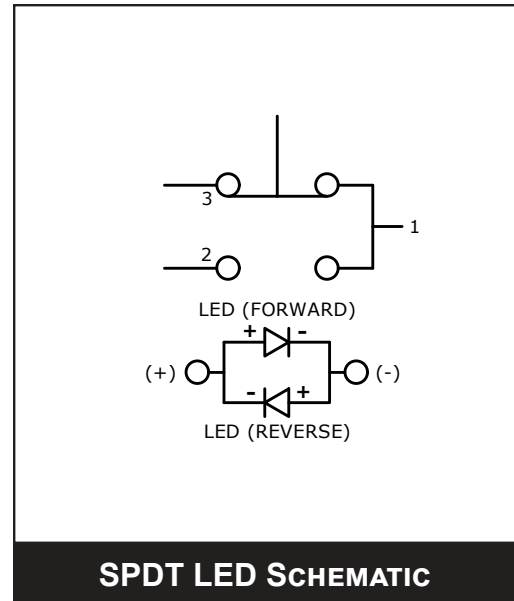
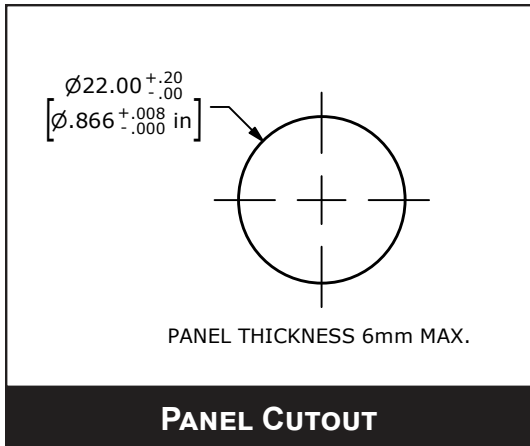
# LB22 SERIES PUSHBUTTON SWITCH

## BODY DIMENSIONS FULL ILLUMINATION



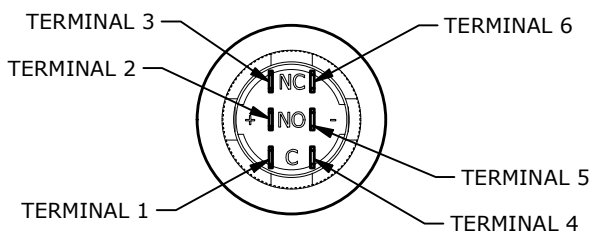
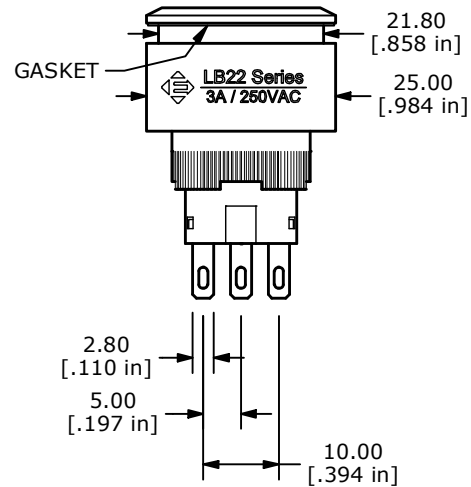
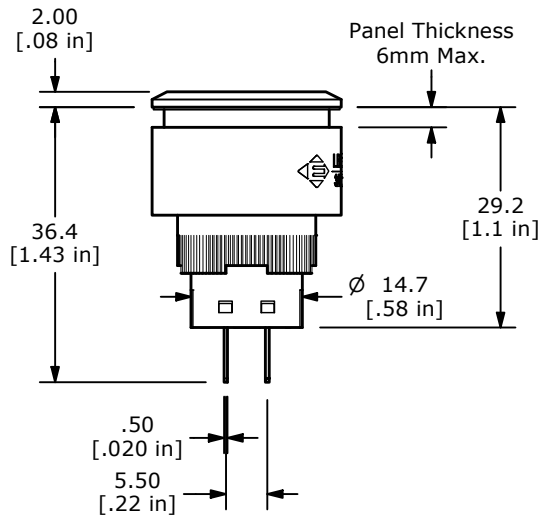
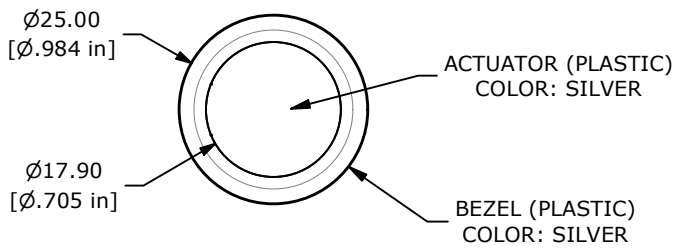
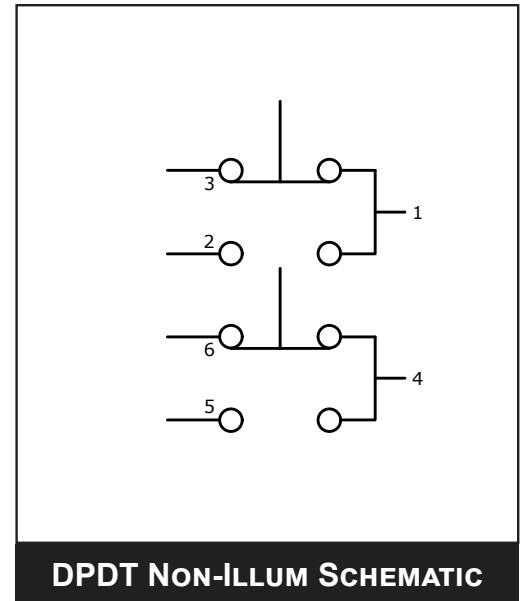
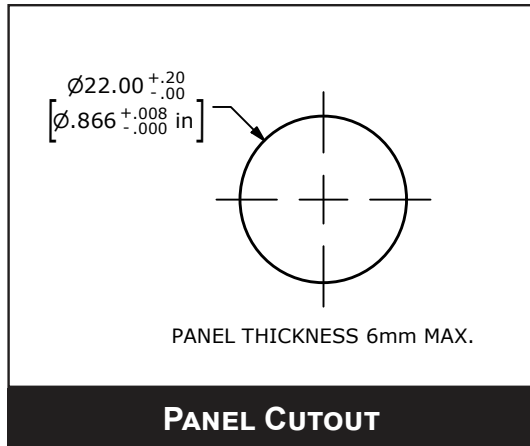
# LB22 SERIES PUSHBUTTON SWITCH

## BODY DIMENSIONS FULL ILLUMINATION



# LB22 SERIES PUSHBUTTON SWITCH

## BODY DIMENSIONS NON-ILLUMINATED



# LB22 SERIES PUSHBUTTON SWITCH

## BODY DIMENSIONS NON-ILLUMINATED

