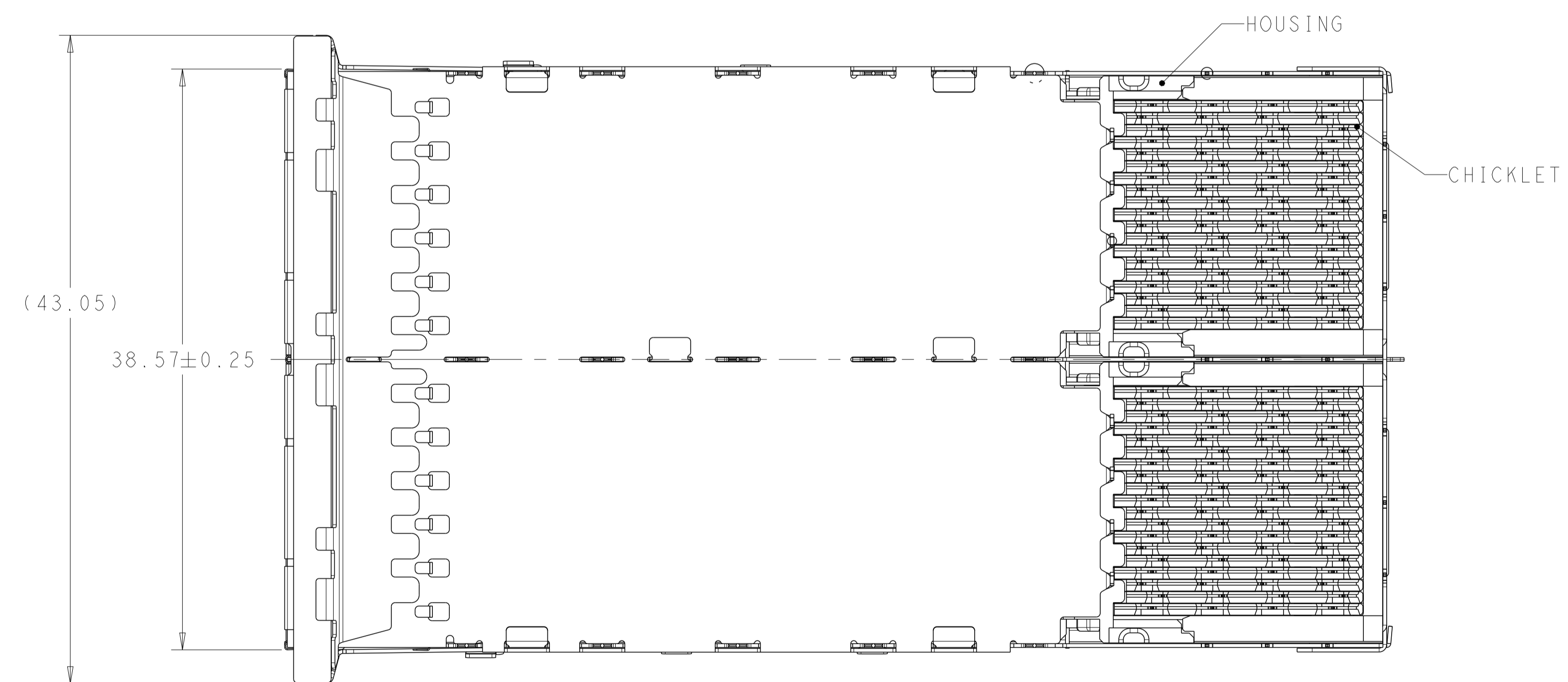
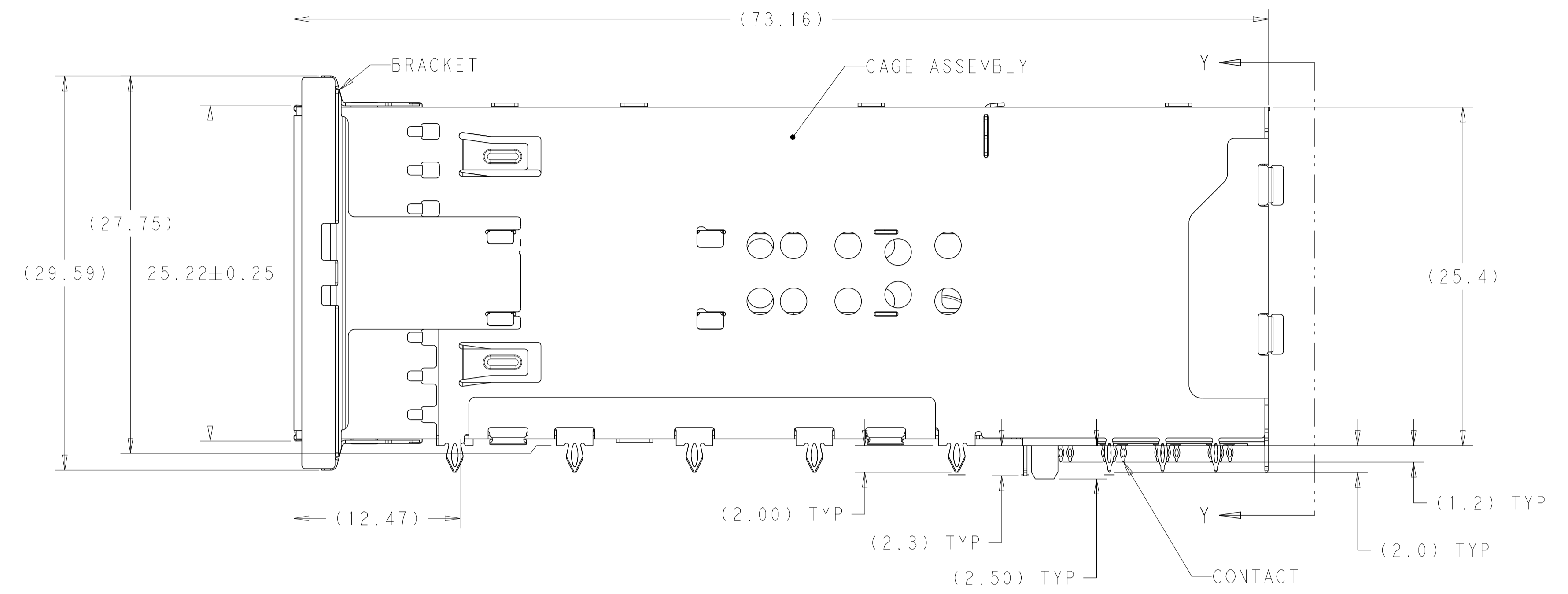
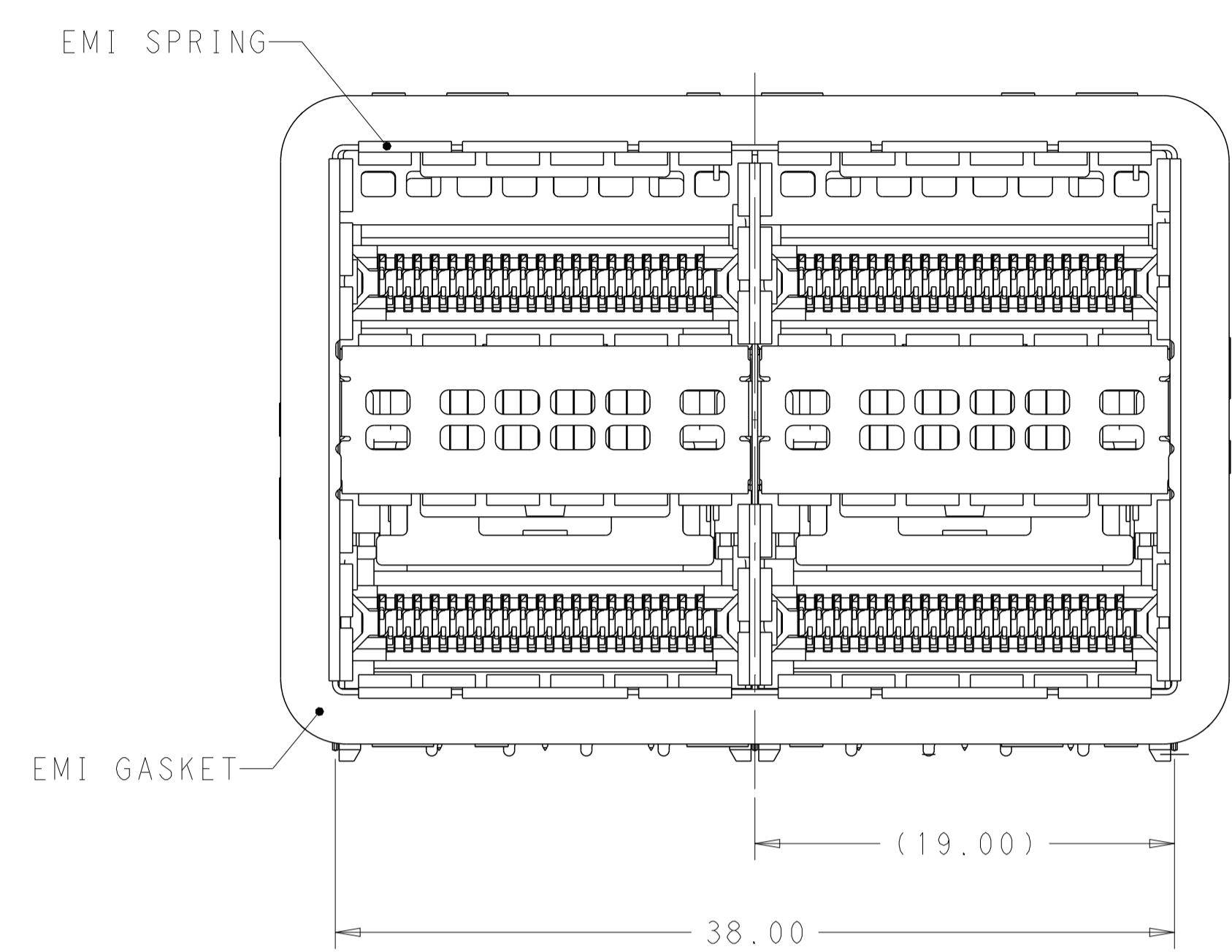


| LOC | DIST | REVISIONS                 |           |     |      |
|-----|------|---------------------------|-----------|-----|------|
| P   | LTN  | DESCRIPTION               | DATE      | DWN | APVD |
| A   |      | RELEASED FOR PRODUCTION   | 29FEB2016 | TX  | SH   |
| A1  |      | REVISED PER ECN-22-163746 | 11JUL2022 | IT  | SZ   |



1. MATERIALS:  
 CAGE ASSEMBLY- NICKEL SILVER ALLOY PER ASTM B 122.  
 BRACKET- NICKEL SILVER ALLOY PER ASTM B 122.  
 EMI SPRING- COPPER ALLOY, NICKEL PLATED.  
 EMI GASKET- PLATED FILLED SILICONE.  
 HOUSING- POLYESTER LCP WITH 94V-0.  
 CHICKLET- POLYESTER LCP WITH 94V-0.  
 CONTACT- COPPER ALLOY.  
 LIGHTPIPE- POLYCARBONATE WITH 94V-0.

- 2 CONTACT FINISH: 0.76µm GOLD ON MATING END, 1.25µm MATT TIN ON SOLDER TAIL, ALL OVER 1.27µm NICKEL.  
 3 DATUM AND BASIC DIMENSION ESTABLISHED BY CUSTOMER.  
 4. MINIMUM PCB THICKNESS OF 1.57.  
 5 THE ENTIRE AREA OF THE CONNECTOR FOOTPRINT, INDICATED BY THE DASHED LINE, TO BE CONSIDERED THE KEEPOUT AREA FOR COMPONENTS.  
 6 CROSS-HATCHED AREAS REPRESENT ZONES ON THE PCB THAT COME IN CONTACT WITH OR BE IN CLOSE PROXIMITY TO THE PLASTIC HOUSING OR THE CONNECTOR CAGE. INDICATED AREAS TO BE CONSIDERED TRACE FREE.  
 7 PART NUMBER AND DATE CODE MADE IN APPROXIMATE AREA SHOWN.  
 8 HATCHED AREA IS PLACEMENT ZONE FOR LED. LED SHOULD BE CENTERED WITHIN ZONE. RECOMMEND 0805 PACKAGE.  
 9 CONTACT FINISH: 0.08µm MINIMUM GOLD OVER 0.68µm PALLADIUM-NICKEL ON MATING END, 1.25µm MATT TIN ON SOLDER TAIL, ALL OVER 1.27µm NICKEL.

| CONTACT FINISH | DESCRIPTION         | PART NUMBER |
|----------------|---------------------|-------------|
| 9              | LEFT INDICATOR DOWN | 2214593-6   |
| 9              | LEFT INDICATOR UP   | 2214593-5   |
| 9              | NO LIGHTPIPE        | 2214593-4   |
| 2              | LEFT INDICATOR DOWN | 2214593-3   |
| 2              | LEFT INDICATOR UP   | 2214593-2   |
| 2              | NO LIGHTPIPE        | 2214593-1   |

THIS DRAWING IS A CONTROLLED DOCUMENT. DIMENSIONING AND TOLERANCING PER ASME Y14.5M-2009. TOLERANCES UNLESS OTHERWISE SPECIFIED:

|        |             |             |             |             |             |
|--------|-------------|-------------|-------------|-------------|-------------|
| mm     | 0 PLC ±0.25 | 1 PLC ±0.15 | 2 PLC ±0.15 | 3 PLC ±0.15 | 4 PLC ±0.15 |
| ANGLES | ±0.5°       |             |             |             |             |
| FINISH | SEE NOTE 2  |             |             |             |             |

SEE NOTE 1

APVD: M. SHIRK 24FEB2012  
 CHK: D. SZCZESNY 24FEB2012

PRODUCT SPEC: 108-60102  
 APPLICATION SPEC: 114-60015

WEIGHT: -

CUSTOMER DRAWING

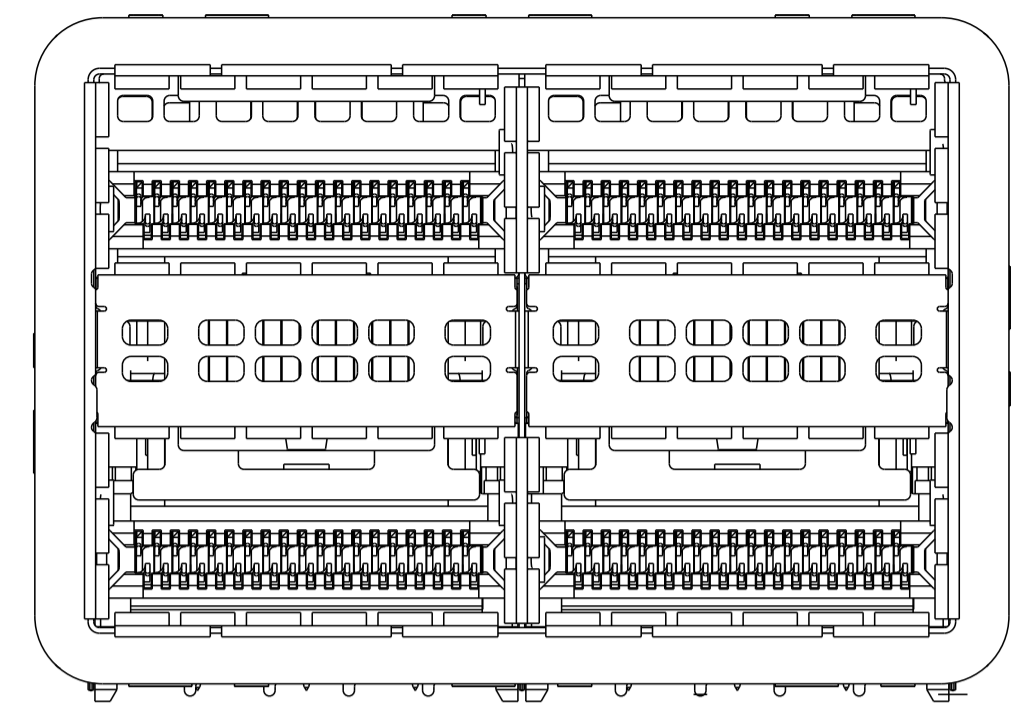
SCALE: 4:1 SHEET 1 OF 4 REV: A1

STE TE Connectivity

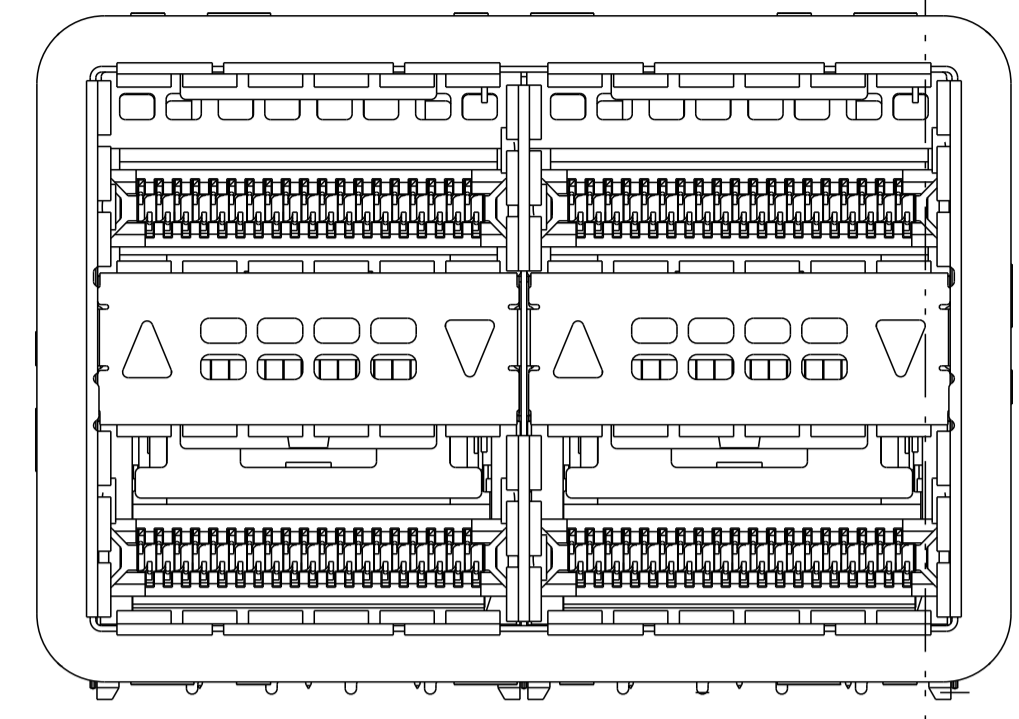
CAGE AND CONNECTOR ASSEMBLY, WITH EMI GASKET, 2X2, ZQSFP+ STACKED

SIZE: A1 CAGE CODE: 100779 DRAWING NO: 2214593

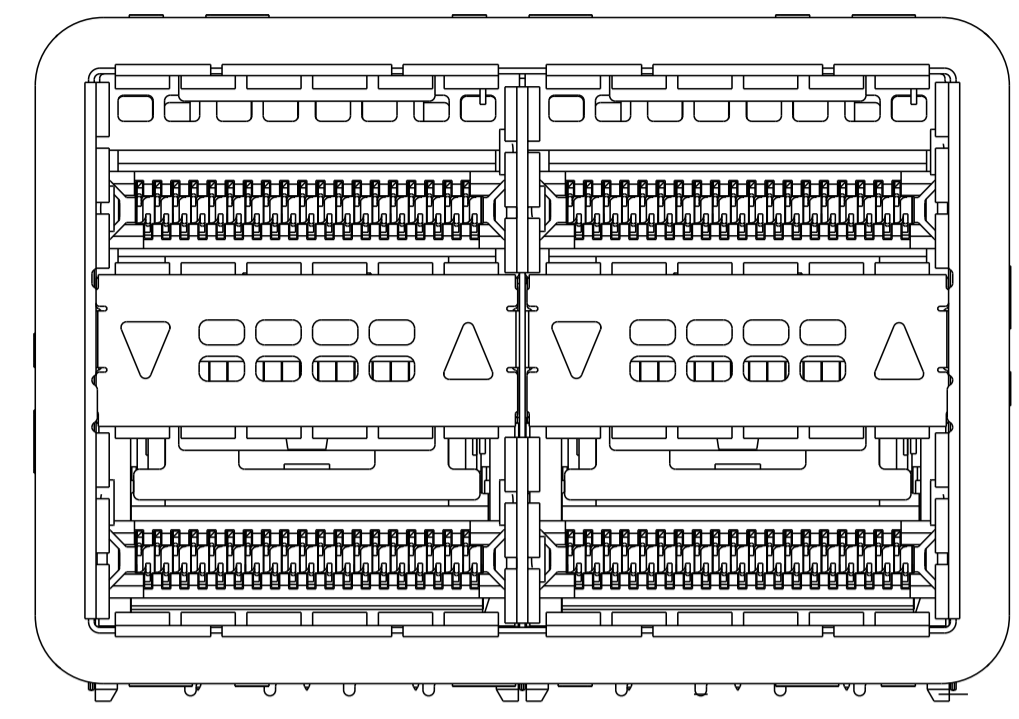
| LOC | DIST | REV | DATE | BY | APPV |
|-----|------|-----|------|----|------|
|     |      | 1   |      |    |      |
|     |      | 2   |      |    |      |
|     |      | 3   |      |    |      |
|     |      | 4   |      |    |      |



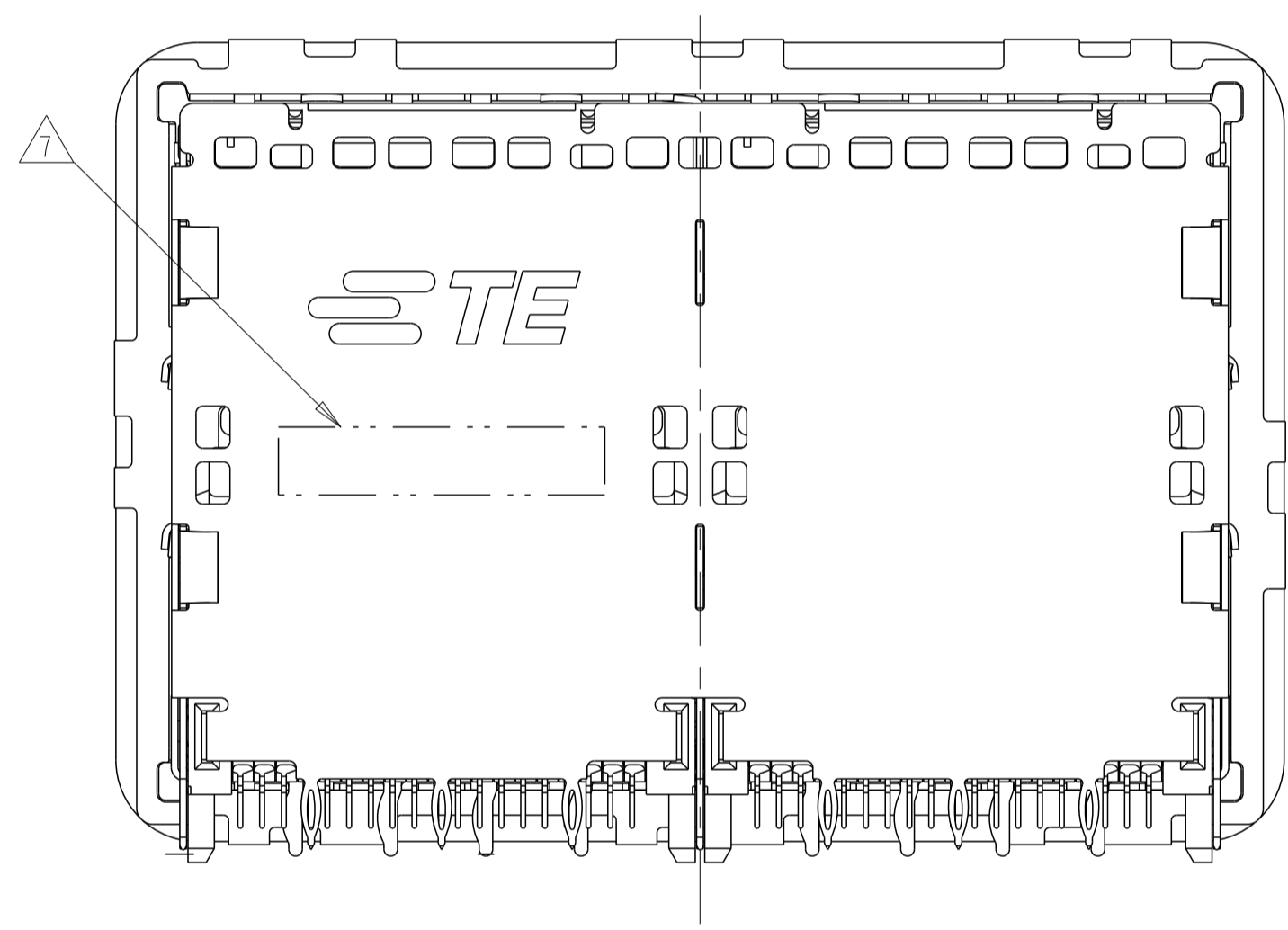
2214593-1 / 2214593-4  
 NO LIGHTPIPE IN ASSEMBLY  
 SCALE 3:1



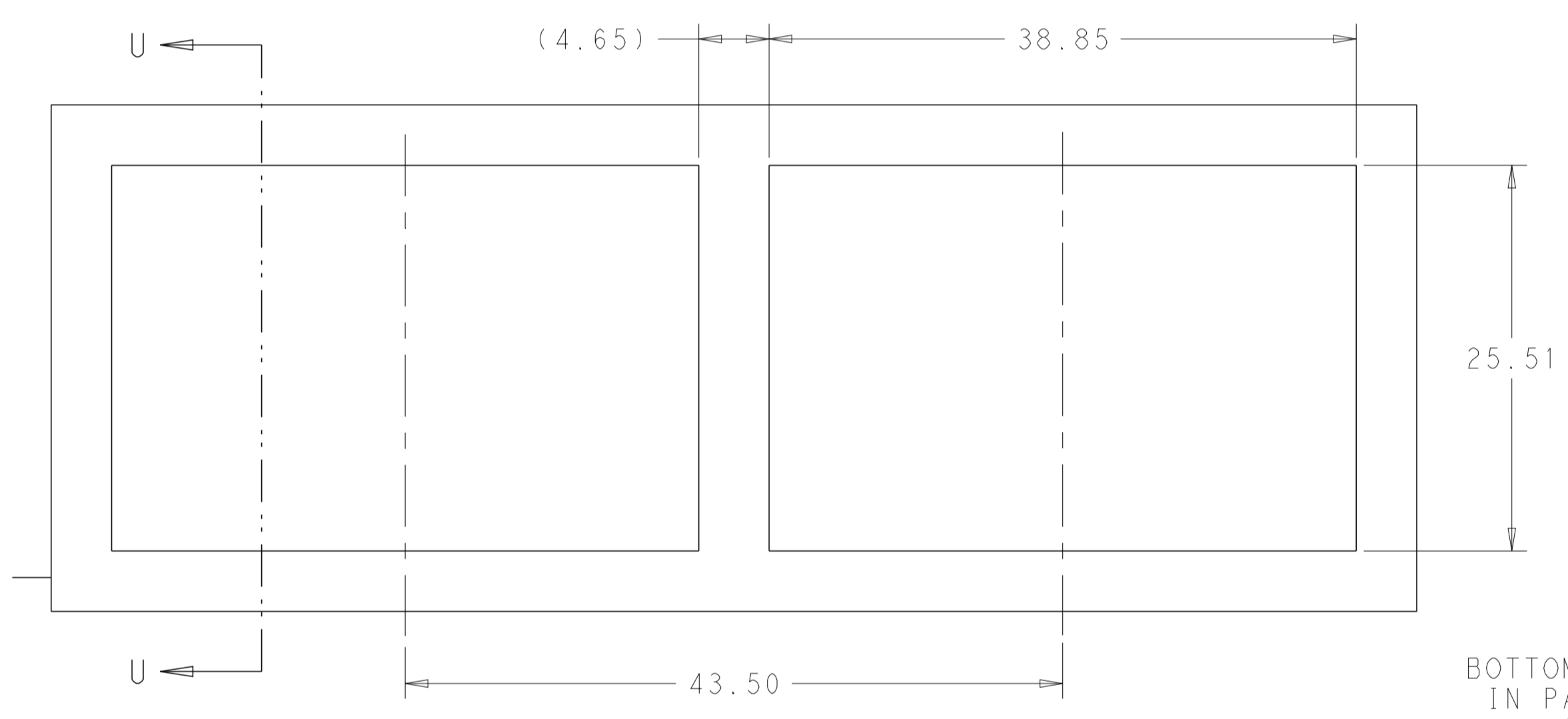
2214593-2 / 2214593-5  
 LEFT LIGHTPIPE INDICATOR  
 POINTING TO UPPER PORT  
 SCALE 3:1



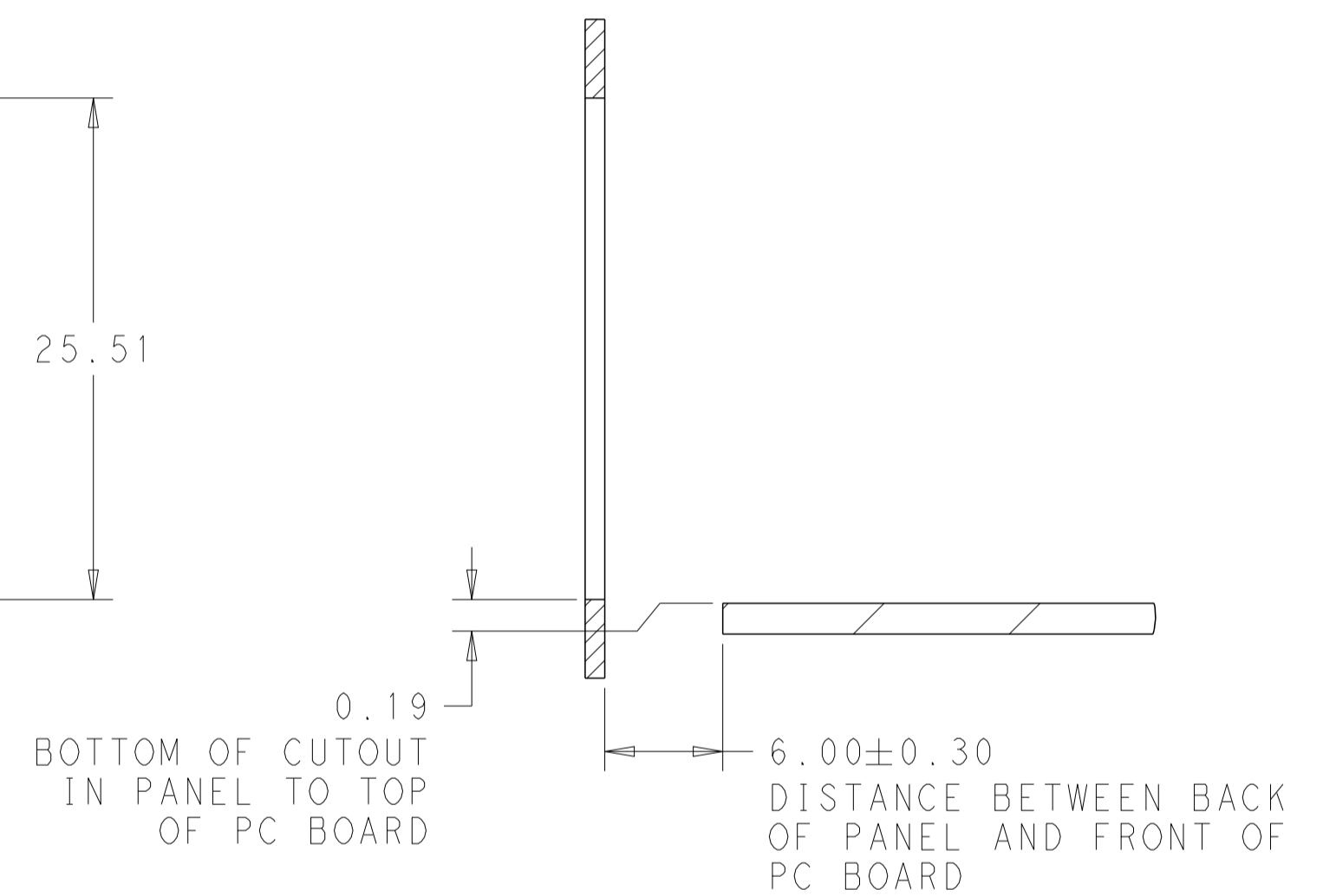
2214593-3 / 2214593-6  
 LEFT LIGHTPIPE INDICATOR  
 POINTING TO LOWER PORT  
 SCALE 3:1



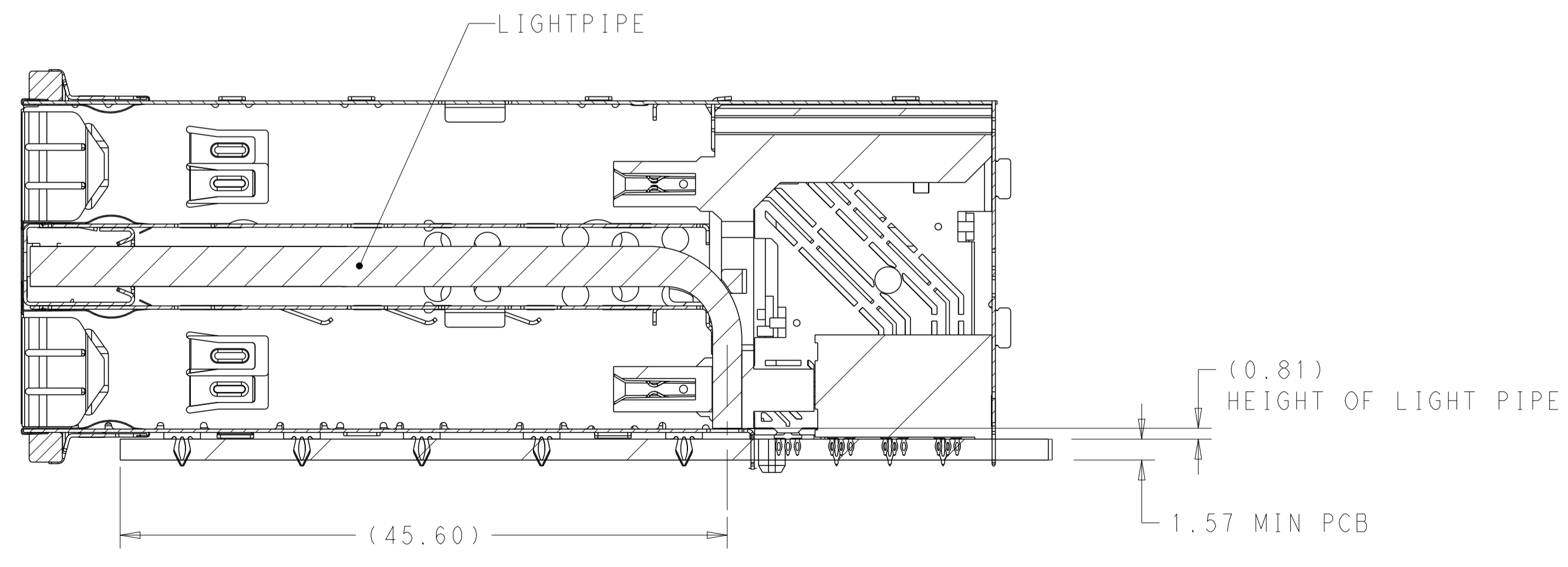
VIEW Y-Y



RECOMMENDED PANEL CUTOUT  
 AND PC BOARD, PANEL POSITION  
 SCALE 3:1



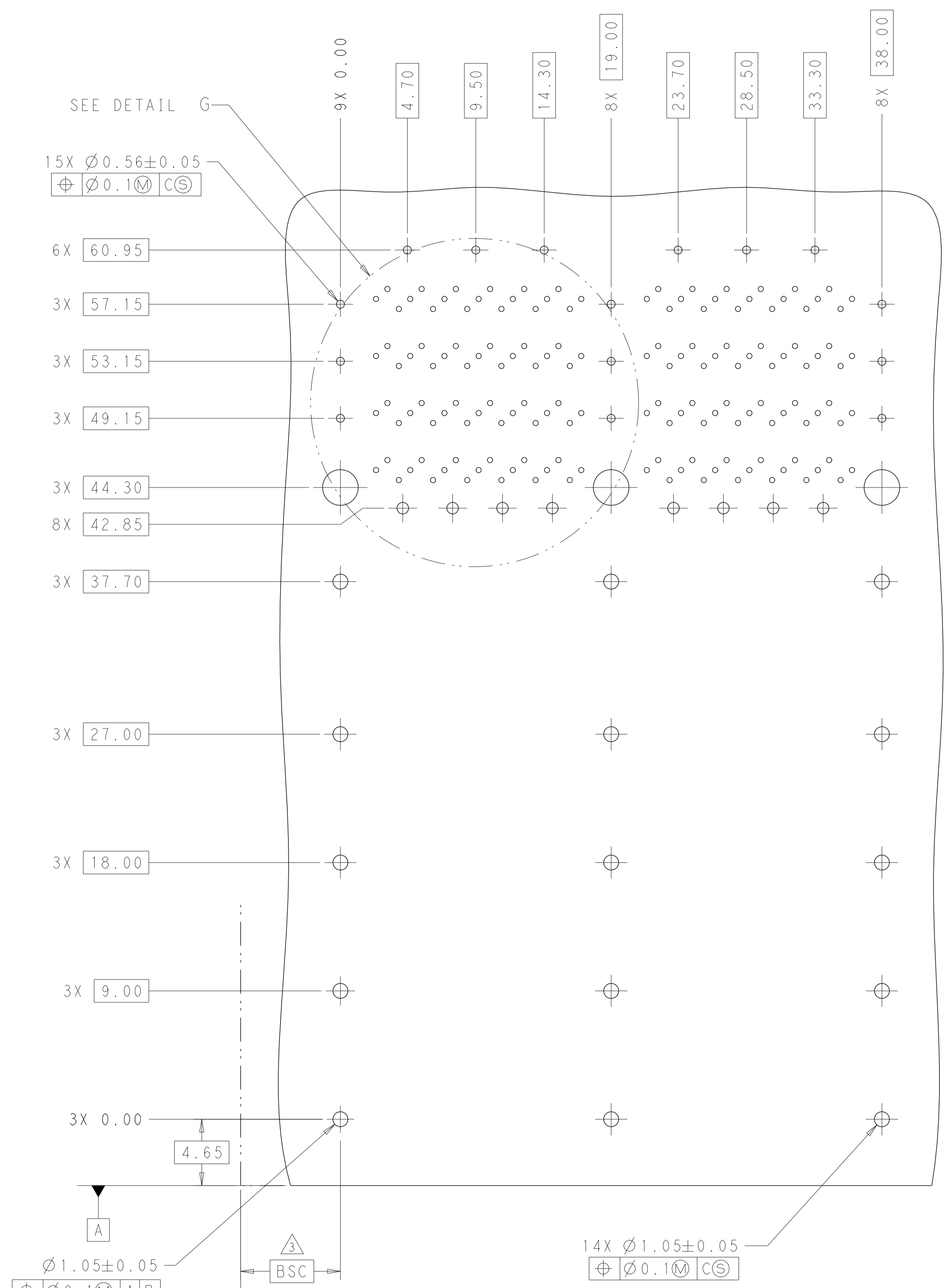
SECTION U-U



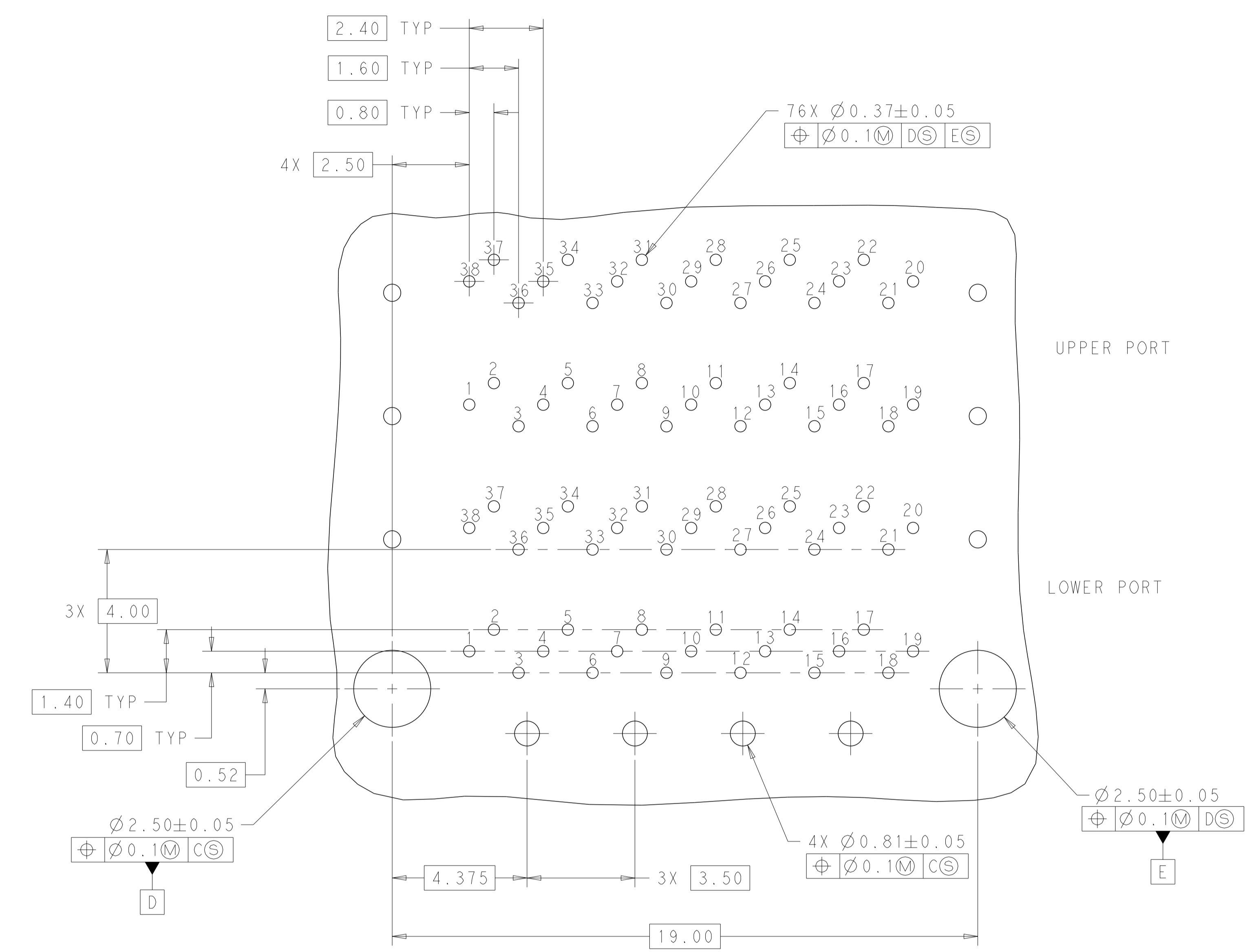
SECTION V-V  
 SCALE 3:1

|   |  |   |  |
|---|--|---|--|
| THIS DRAWING IS A CONTROLLED DOCUMENT. DIMENSIONING AND TOLERANCING PER ASME Y14.5M-2009. |  | OWN: M. SHIRK 24FEB2012<br>CHK: D. SZCZESNY 24FEB2012 | TE Connectivity<br>NAME: CAGE AND CONNECTOR ASSEMBLY, WITH EMI GASKET, 2X2, ZQSFP+ STACKED |
| DIMENSIONS: mm  | TOLERANCES UNLESS OTHERWISE SPECIFIED: | APVD: -   |  |
| 0 PLC ±   | 1 PLC ±0.25                            | PRODUCT SPEC: 108-60102                               | SIZE: 114-60015<br>CAGE CODE: A100779<br>DRAWING NO: C=2214593                             |
| 2 PLC ±0.15   | 3 PLC ±                                | APPLICATION SPEC: -                                   |  |
| 4 PLC ±   | ANGLES ±                               | WEIGHT: -   | RESTRICTED TO: -   |
| MATERIAL: SEE NOTE 1  | FINISH: SEE NOTE 2                     | CUSTOMER DRAWING                                      | SCALE: 4:1 SHEET: 2 OF 4 REV: A1   |

| LOC | DIST | REV | DESCRIPTION      | DATE | DMN | APVD |
|-----|------|-----|------------------|------|-----|------|
|     |      | 1   | rev_sym_1 desc_1 |      |     |      |
|     |      | 2   | rev_sym_2 desc_2 |      |     |      |
|     |      | 3   | rev_sym_3 desc_3 |      |     |      |
|     |      | 4   | rev_sym_4 desc_4 |      |     |      |



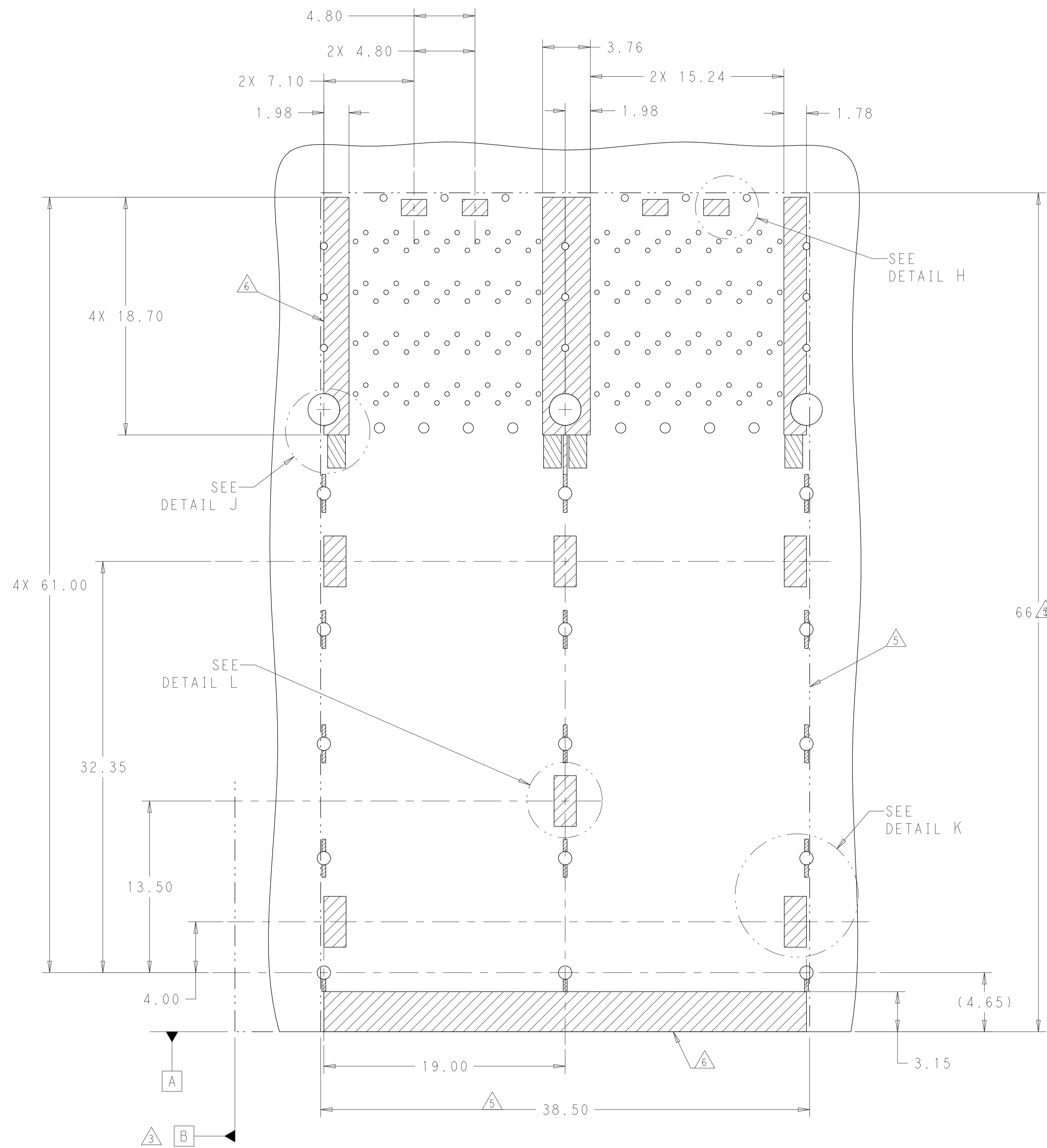
RECOMMENDED PC BOARD LAYOUT  
 COMPONENT SIDE OF BOARD  
 (PCB TOLERANCE ±0.05)  
 SCALE 5:1



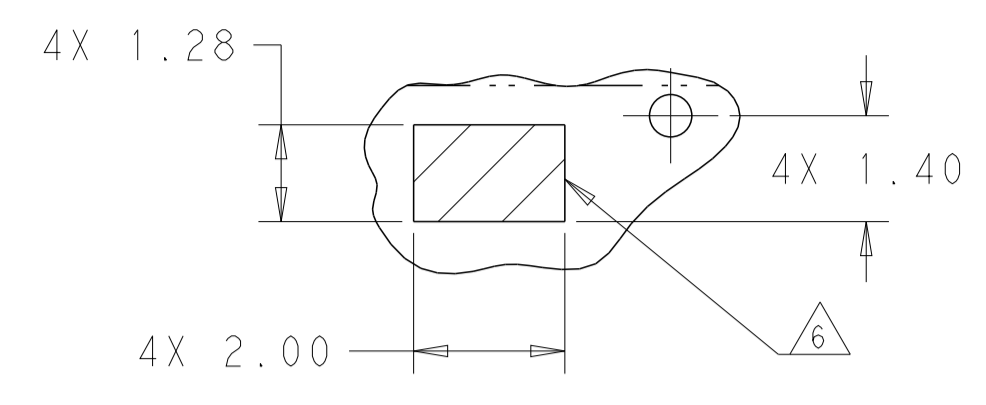
DETAIL G  
 2X INDIVIDUALLY  
 SCALE 10:1

|   |  |                                   |                        |  |                    |
|---|--|-----------------------------------|------------------------|--|--------------------|
| THIS DRAWING IS A CONTROLLED DOCUMENT. DIMENSIONING AND TOLERANCING PER ASME Y14.5M-2009. |  | DMN: M. SHIRK<br>CHK: D. SZCZESNY | 24FEB2012<br>24FEB2012 | TE Connectivity<br>NAME: CAGE AND CONNECTOR ASSEMBLY, WITH EMI GASKET, 2X2, ZQSFP+ STACKED<br>PRODUCT SPEC: 108-60102<br>APPLICATION SPEC: 114-60015 | RESTRICTED TO:     |
| DIMENSIONS: mm  | TOLERANCES UNLESS OTHERWISE SPECIFIED: | APVD:                             | SIZE: A1               |  | CAGE CODE: 2214593 |
| MATERIAL: SEE NOTE 1  | FINISH: SEE NOTE 2                     | WEIGHT:                           | CUSTOMER DRAWING       | SCALE: 4:1   | REV: A1            |

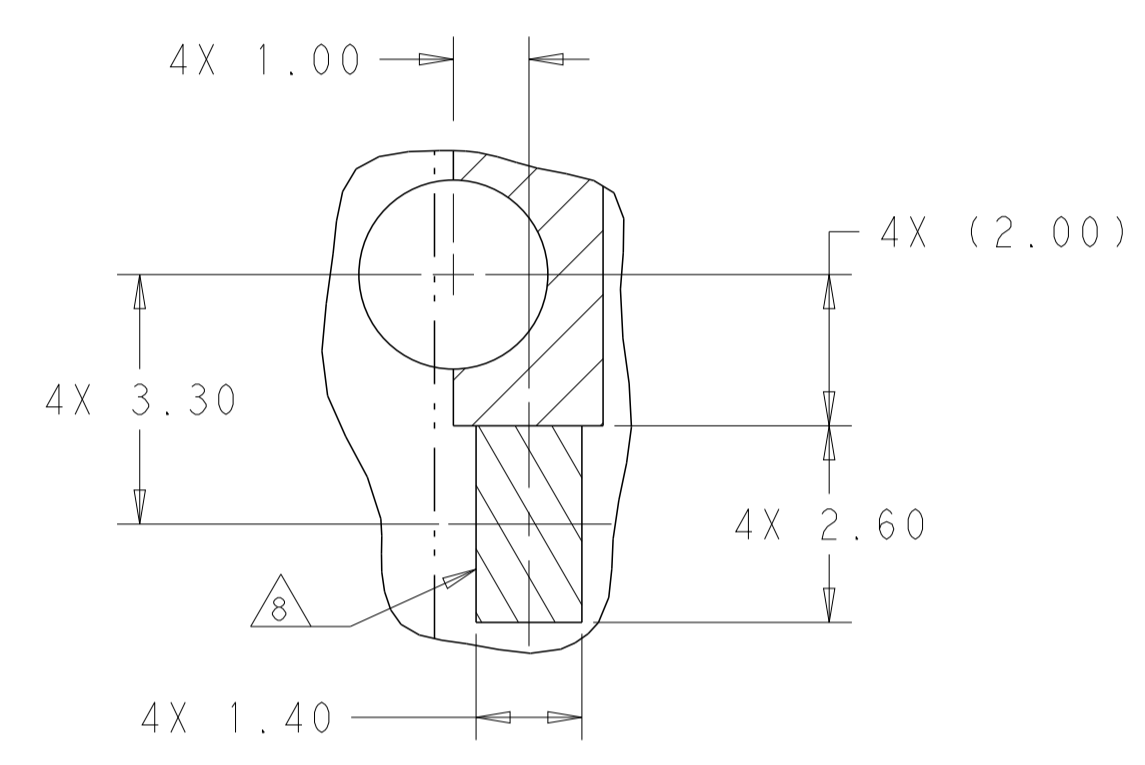
| LOC       | DIST        | REVISIONS   |      |            |            |
|-----------|-------------|-------------|------|------------|------------|
| P         | LTR         | DESCRIPTION | DATE | DMN        | APVD       |
| rev_sym_1 | 1866_8H6E11 |             |      | rev_defect | dmn_bppr_1 |
| rev_sym_2 | rev_desc_2  |             |      | rev_defect | dmn_bppr_2 |
| rev_sym_3 | rev_desc_3  |             |      | rev_defect | dmn_bppr_3 |
| rev_sym_4 | rev_desc_4  |             |      | rev_defect | dmn_bppr_4 |



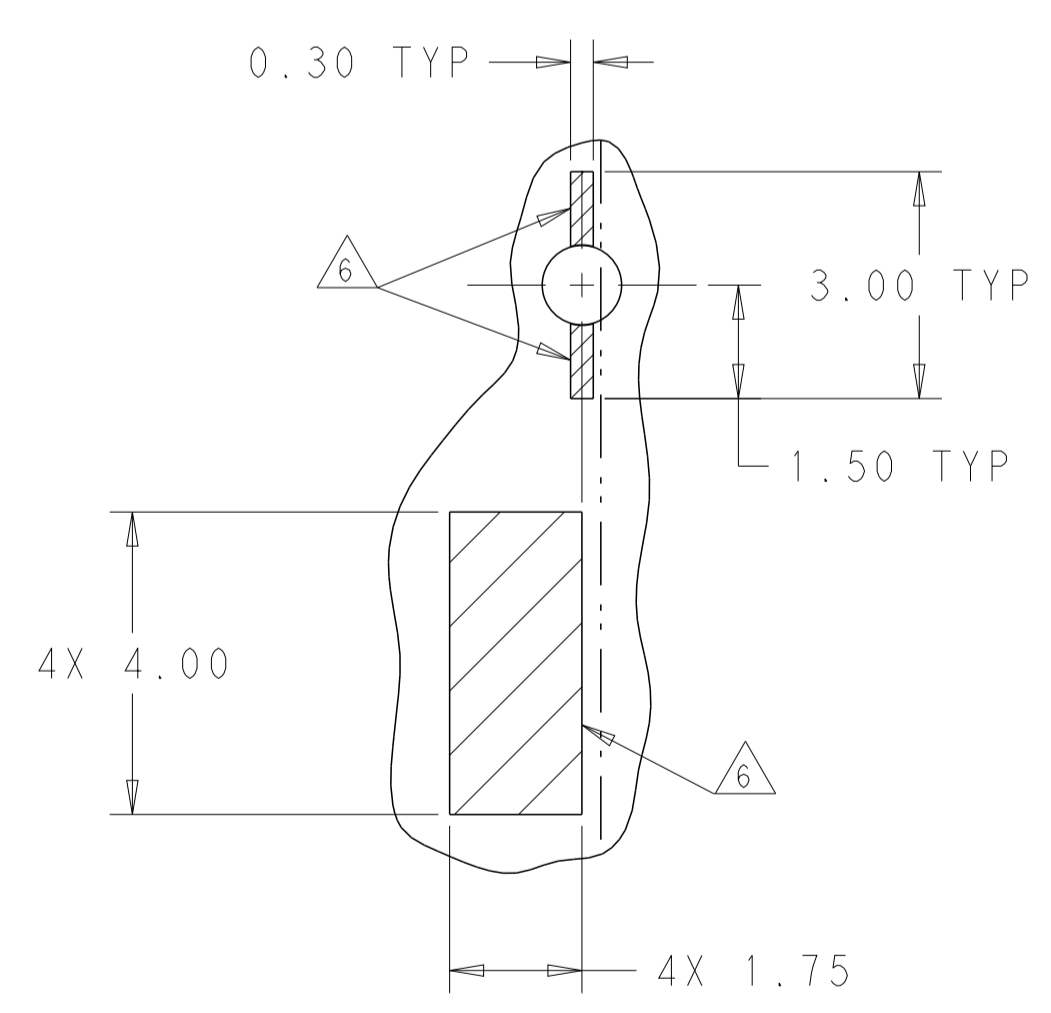
KEEPOUT AREAS  
 COMPONENT SIDE OF BOARD  
 SCALE 5:1



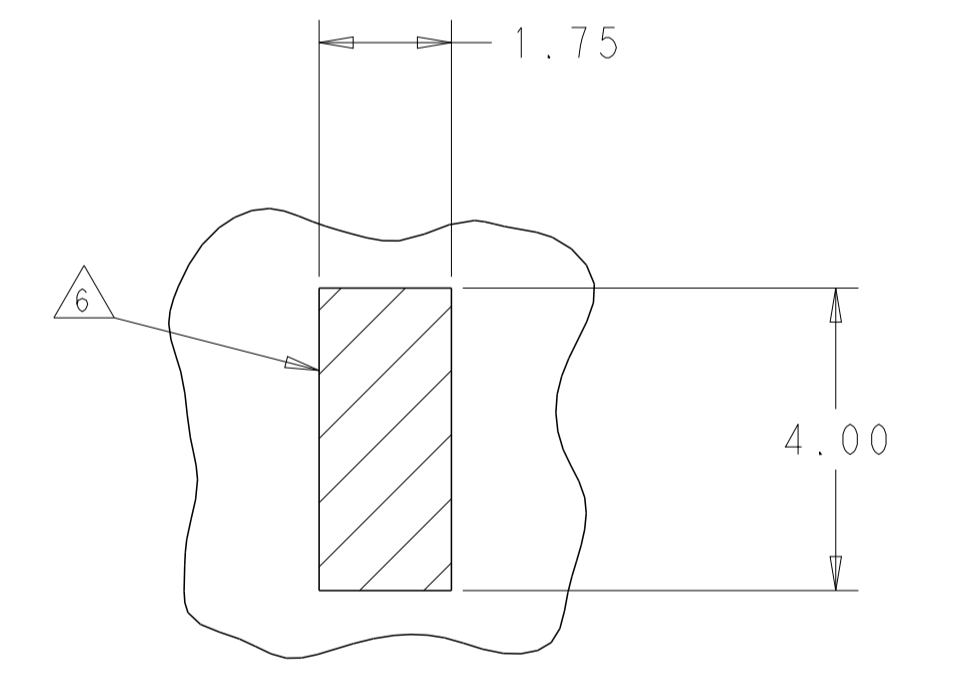
DETAIL H  
 SCALE 10:1



DETAIL J  
 LED PADS  
 SCALE 10:1



DETAIL K  
 SCALE 10:1



DETAIL L  
 SCALE 10:1

|   |  |   |  |
|---|--|---|--|
| THIS DRAWING IS A CONTROLLED DOCUMENT. DIMENSIONING AND TOLERANCING PER ASME Y14.5M-2009. |  | DMN: M. SHIRK 24FEB2012<br>CHK: D. SZCZESNY 24FEB2012 | TE Connectivity<br>NAME: CAGE AND CONNECTOR ASSEMBLY, WITH EMI GASKET, 2X2, ZQSFP+ STACKED<br>PRODUCT SPEC: 108-60102<br>APPLICATION SPEC: 114-60015<br>SIZE: 114-60015<br>WEIGHT: -<br>CUSTOMER DRAWING |
| DIMENSIONS: mm  | TOLERANCES UNLESS OTHERWISE SPECIFIED: | APVD: -   |  |
| 0 PLC ±0.25<br>1 PLC ±0.15<br>2 PLC ±0.15<br>3 PLC ±0.15<br>4 PLC ±0.15                   | ANGLES ±0.15                           | RESTRICTED TO: -                                      |  |
| MATERIAL: -<br>SEE NOTE 1   | FINISH: -<br>SEE NOTE 2                | SCALE: 4:1  |  |
| A100779C=2214593  |  | SHEET 4 OF 4  |  |
| REV: A1   |  |   |  |