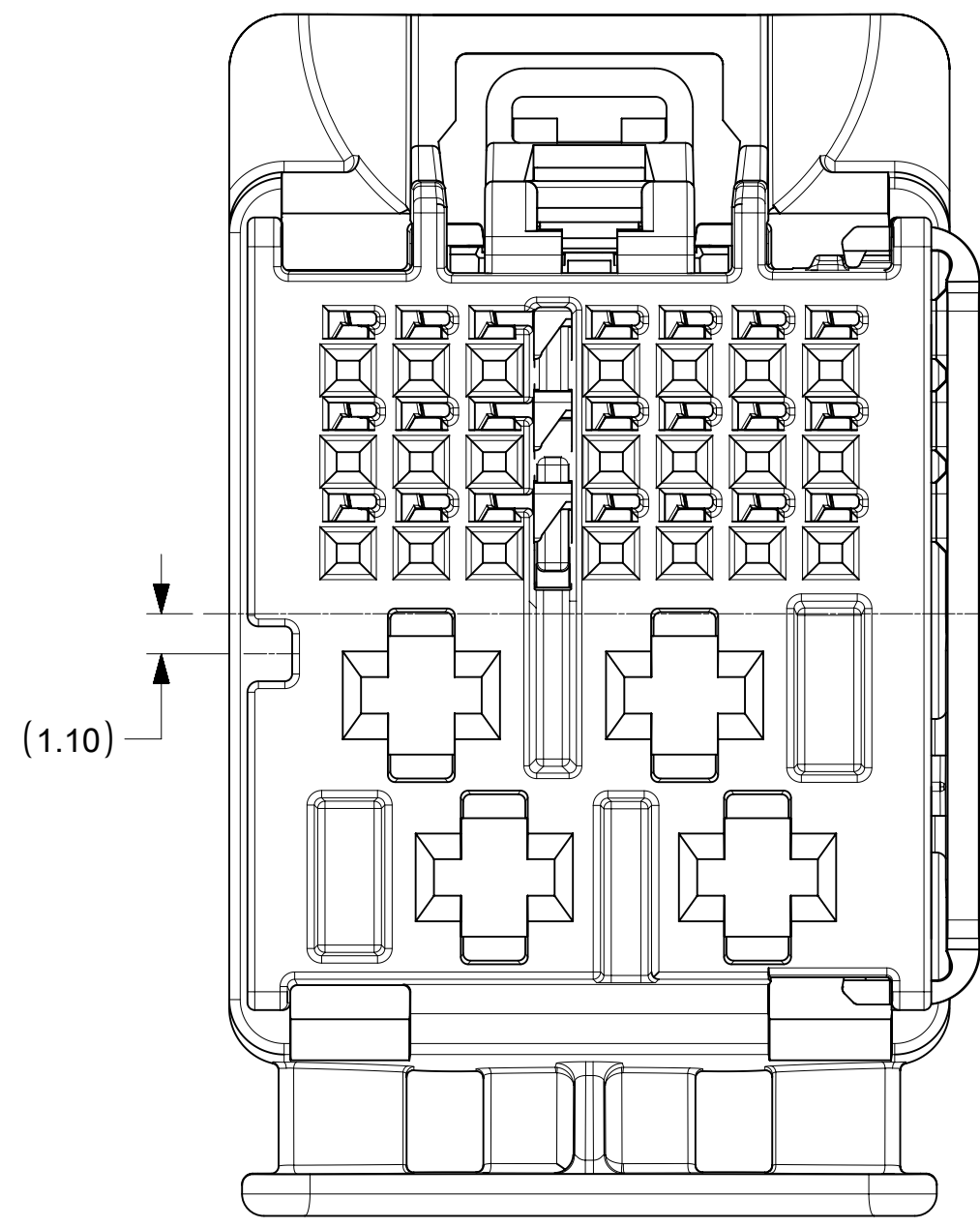
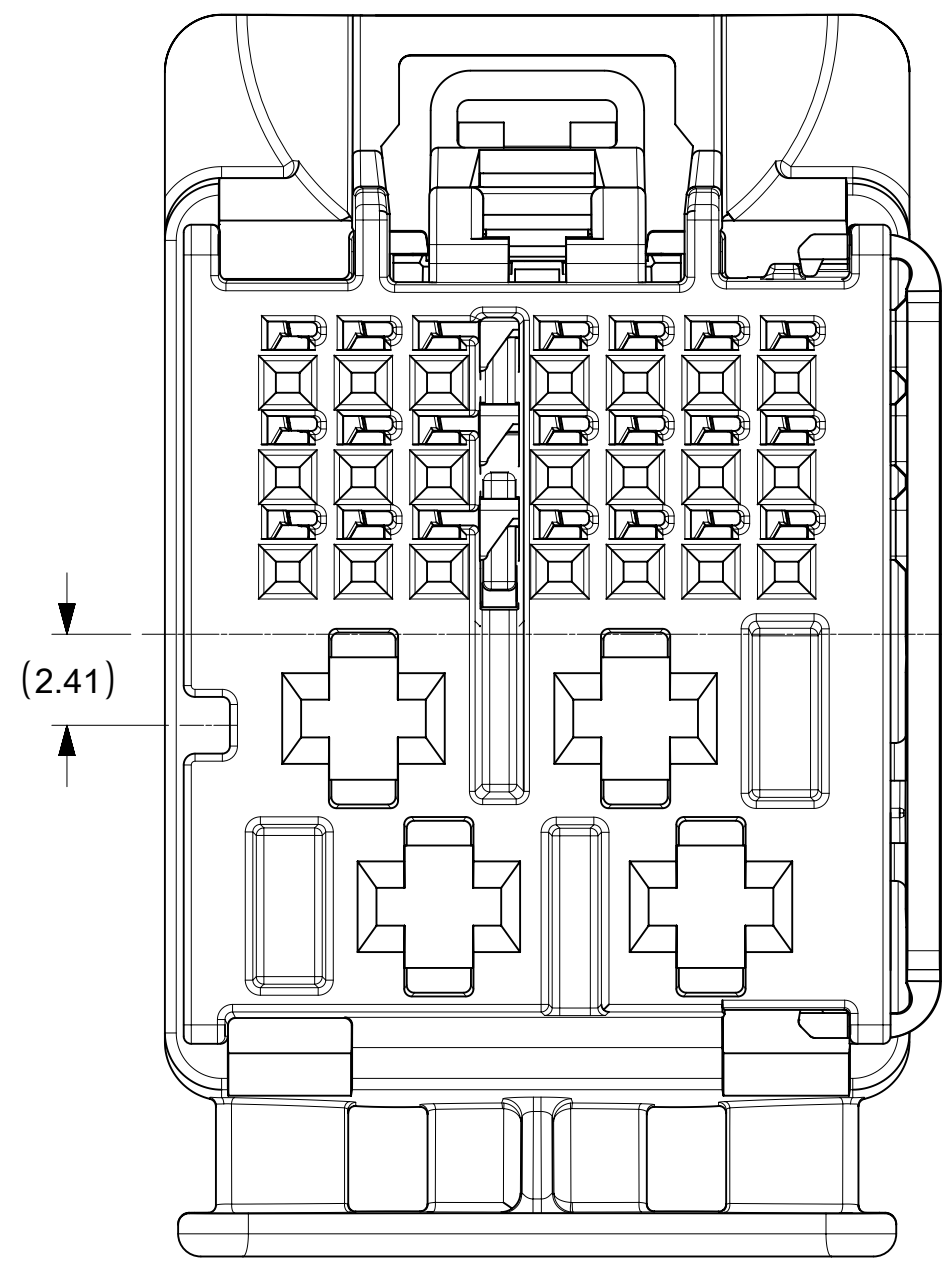


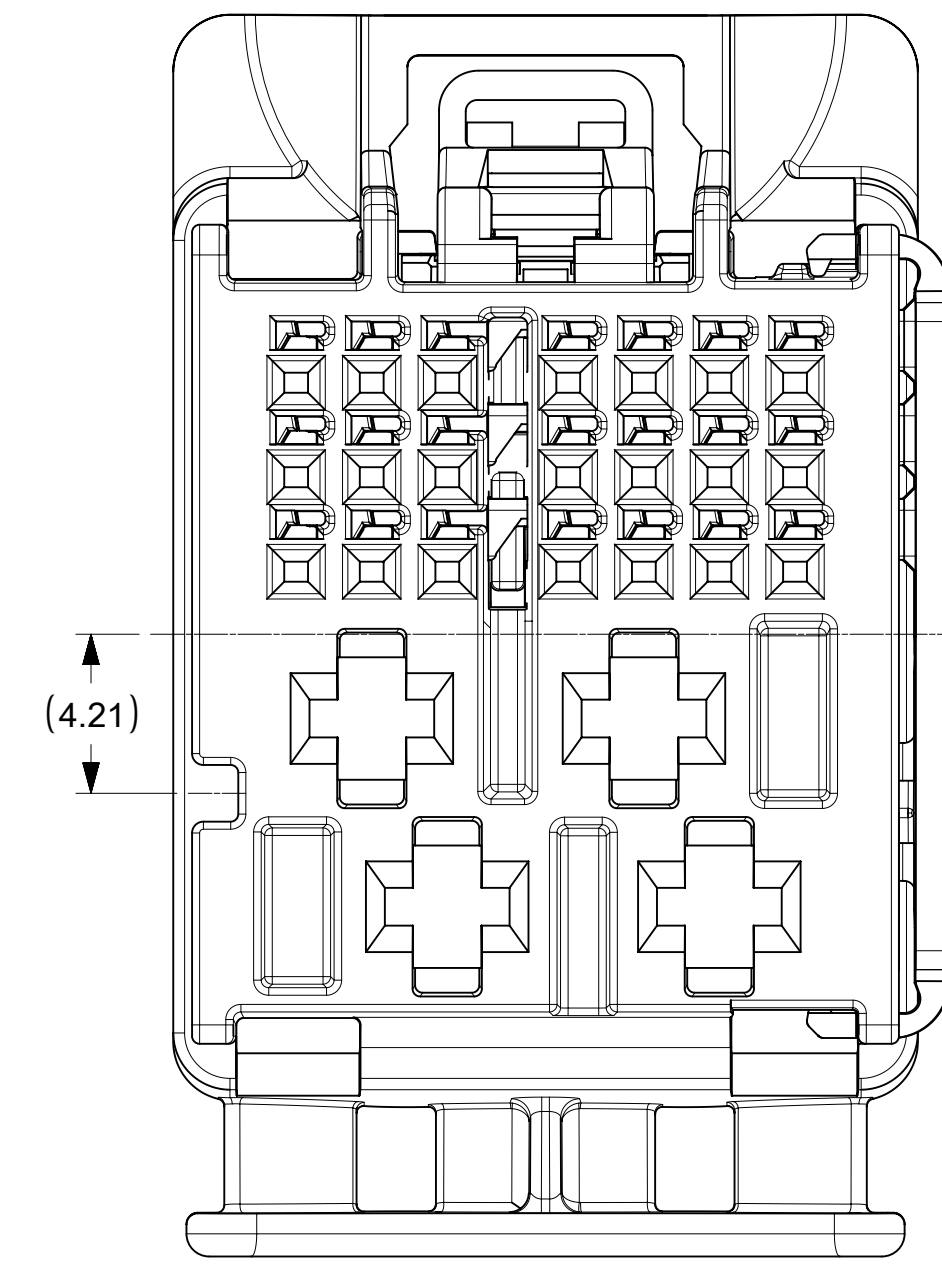
25 WAY CONNECTOR ASSEMBLY
KEY 1 & KEY 5



25 WAY CONNECTOR ASSEMBLY
KEY 2 & KEY 6



25 WAY CONNECTOR ASSEMBLY
KEY 3 & KEY 7



25 WAY CONNECTOR ASSEMBLY
KEY 4 & KEY 8

NOTES: VALID UNLESS OTHERWISE SPECIFIED

1. GENERAL:

- a. APPLICATION SPECIFICATION SEE: AS-160014-001
- b. PRODUCT SPECIFICATION SEE: PS-160014-001
- c. PACKAGING SPECIFICATION PER MOLEX DRAWING: PK-31302-266
- d. PARTS MUST BE IN COMPLIANCE TO MOLEX CHEMICAL SUBSTANCES FOR PRODUCTS AND PACKAGING SPECIFICATION: ES-40000-5016
- e. DATA MUST BE SUBMITTED UNDER THE MOLEX PART NUMBER TO IMDS (COMPANY ID#13255)

2. DESIGN - MATERIALS:

- a. SEE BOM TABLE

3. DESIGN - GEOMETRY:

- a. ALL GRAPHIC DATA IS BASIC (NO TOLERANCE) AND MUST BE TAKEN FROM THE DATA FILE AT ITS LATEST REVISION.
- b. PRODUCT DESIGN MODEL NUMBER(S): SEE BOM TABLE
- c. GEOMETRIC DIMENSIONS AND TOLERANCES PER ASME Y14.5-2009
- d. EDGES AND UNDIMENSIONED DETAILS PER ISO13715
- e. CORNERS SHOWN AS SHARP TO BE R 0.2 MAX.
- f. MARKED TEXT TO INCLUDE RECYCLING CODE, CAVITY ID, VENDOR IDENTIFICATION AND CUSTOMER MATERIAL NUMBER.
 - 1. LASER ETCHED DATE CODE
 - 1ST THROUGH 2ND DIGIT = CALENDAR YEAR
 - 3RD THROUGH 5TH DIGIT = "DAY #" OF YEAR
 - 6TH THROUGH 7TH DIGIT = HOUR OF DAY
 - 8TH THROUGH 9TH DIGIT = MINUTE OF HOUR
 - 10TH THROUGH 11TH DIGIT = SECOND OF MINUTE

4. DESIGN - MANUFACTURING:

- a. VISUAL DEFECTS SHALL MEET COSMETIC STANDARD PS-45499-002 (Class B)

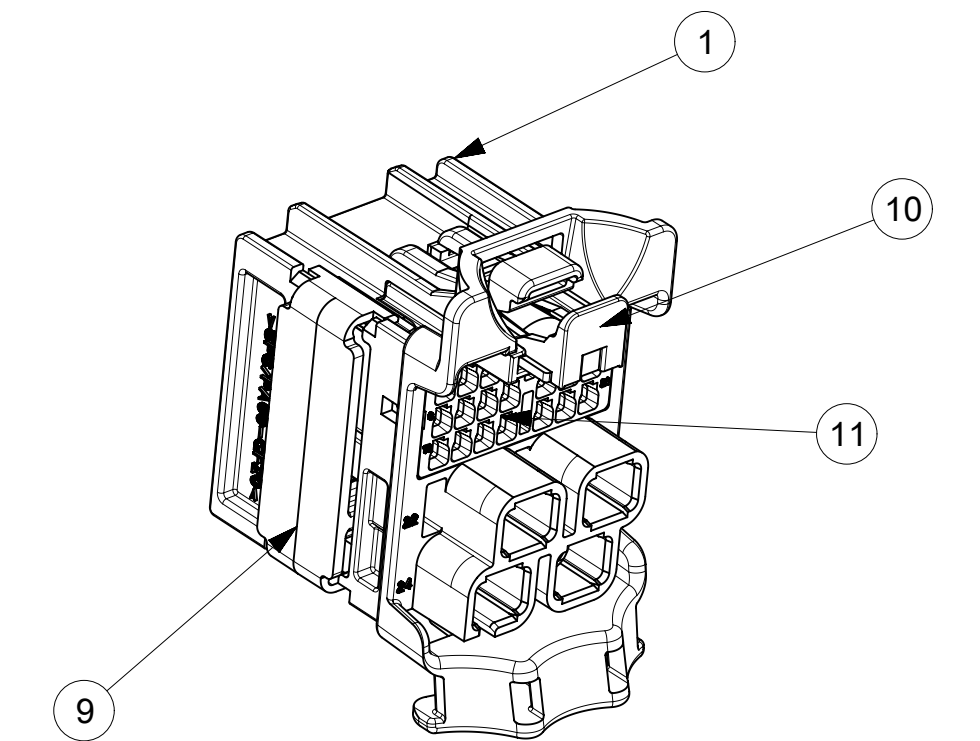
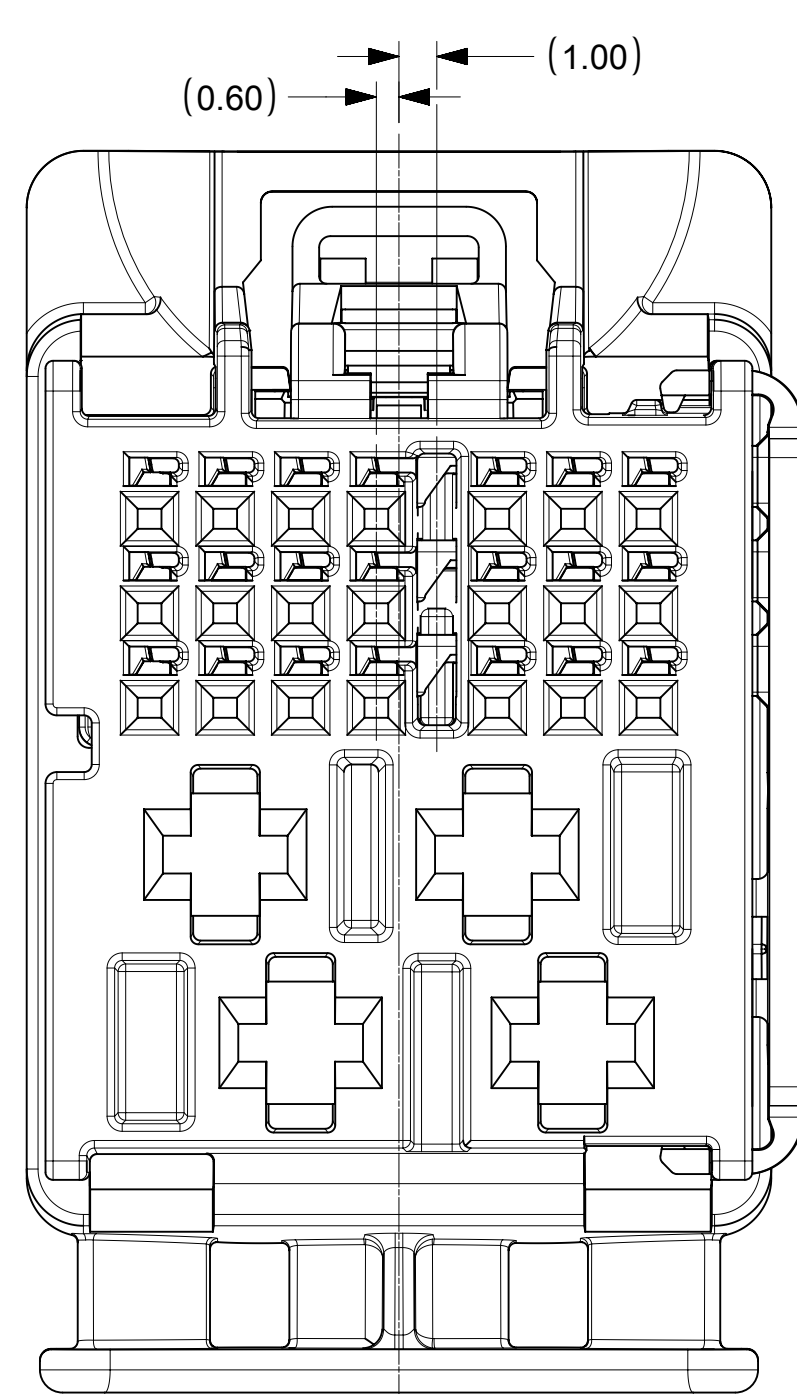
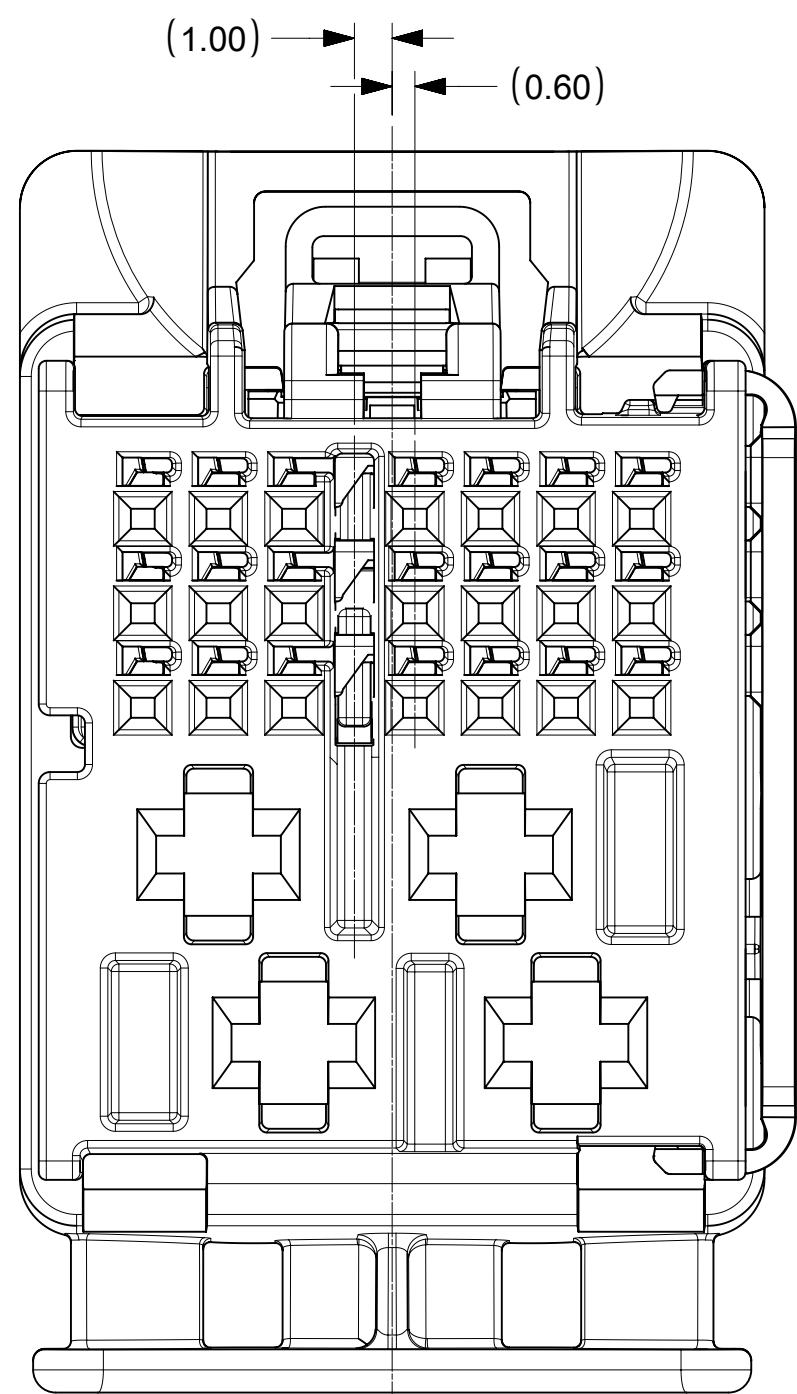
PART NUMBER	PLATING	SUPPLIER	WIRE GAGE (mm2)	TERMINAL FAMILY	WIRE SPECIFICATION
200096-0101	TIN PLATING	MOLEX	0.35	TAK FAMILY (0.5 mm)	VW 60306 OR GMW 15626 (SEE APPLICATION SPECIFICATION FOR MORE DETAILS)
200096-0201	TIN PLATING	MOLEX	0.13	TAK FAMILY (0.5 mm)	
2272196-2	TIN PLATING	TE	0.35	Generation 50 Locking Lance (0.5mm)	SAE/ J1128 THIN WALL INSULATION
2272196-1	TIN PLATING	TE	0.13	Generation 50 Locking Lance (0.5mm)	
1-968851-1	TIN PLATING	TE	1.0 - 2.5	AMP MCP 2.8	GMW 15626 INSULATION TYPE FLR (REGULAR THIN WALL)
1-968849-1	TIN PLATING	TE	0.5 - 1.0	AMP MCP 2.8	
15457849	TIN PLATING	DELPHI	1.5 - 2.5	CTS 2.8mm	
15457848	TIN PLATING	DELPHI	0.5 - 1.0	CTS 2.8mm	

ITEM	DESCRIPTION	COLOR	RECYCLING CODE	WEIGHT (GRAMS)	RIB OPTION	NO OF ITEMS REQUIRED														
1	OUTER SHROUD - KEY 1	LIGHT GREEN B	SPS/PA66-GF20	4.1	A	1														
2	OUTER SHROUD - KEY 2	STONE GRAY	SPS/PA66-GF20	4.1	A		1													
3	OUTER SHROUD - KEY 3	BLACK	SPS/PA66-GF20	4.1	A			1												
4	OUTER SHROUD - KEY 4	DARK GRAY	SPS/PA66-GF20	4.1	A				1											
5	OUTER SHROUD - KEY 5	DK PURPLE A	SPS/PA66-GF20	4.1	B					1										
6	OUTER SHROUD - KEY 6	TBD	SPS/PA66-GF20	4.1	B						1									
7	OUTER SHROUD - KEY 7	TBD	SPS/PA66-GF20	4.1	B							1								
8	OUTER SHROUD - KEY 8	LT GRAY	SPS/PA66-GF20	4.1	B								1							
9	ISL	NATURAL	SPS-GF30	0.37	N/A	1	1	1	1	1	1	1	1	1	1	1	1	1	1	1
10	CPA	NATURAL	PA66-GF50	0.08	N/A	1	1	1	1	1	1	1	1	1	1	1	1	1	1	1
11	INNER HOUSING	STONE GRAY	SPS/PA66-GF20	1.04	N/A	1	1	1	1											
12	INNER HOUSING	STONE GRAY	SPS/PA66-GF20	1.04	N/A							1	1	1	1	1	1	1	1	1

MOLEX ASSEMBLY PART NO.'S	
1600270011	KEY 1
1600270012	KEY 2
1600270013	KEY 3
1600270014	KEY 4
1600270015	KEY 5
1600270016	KEY 6
1600270017	KEY 7
1600270018	KEY 8

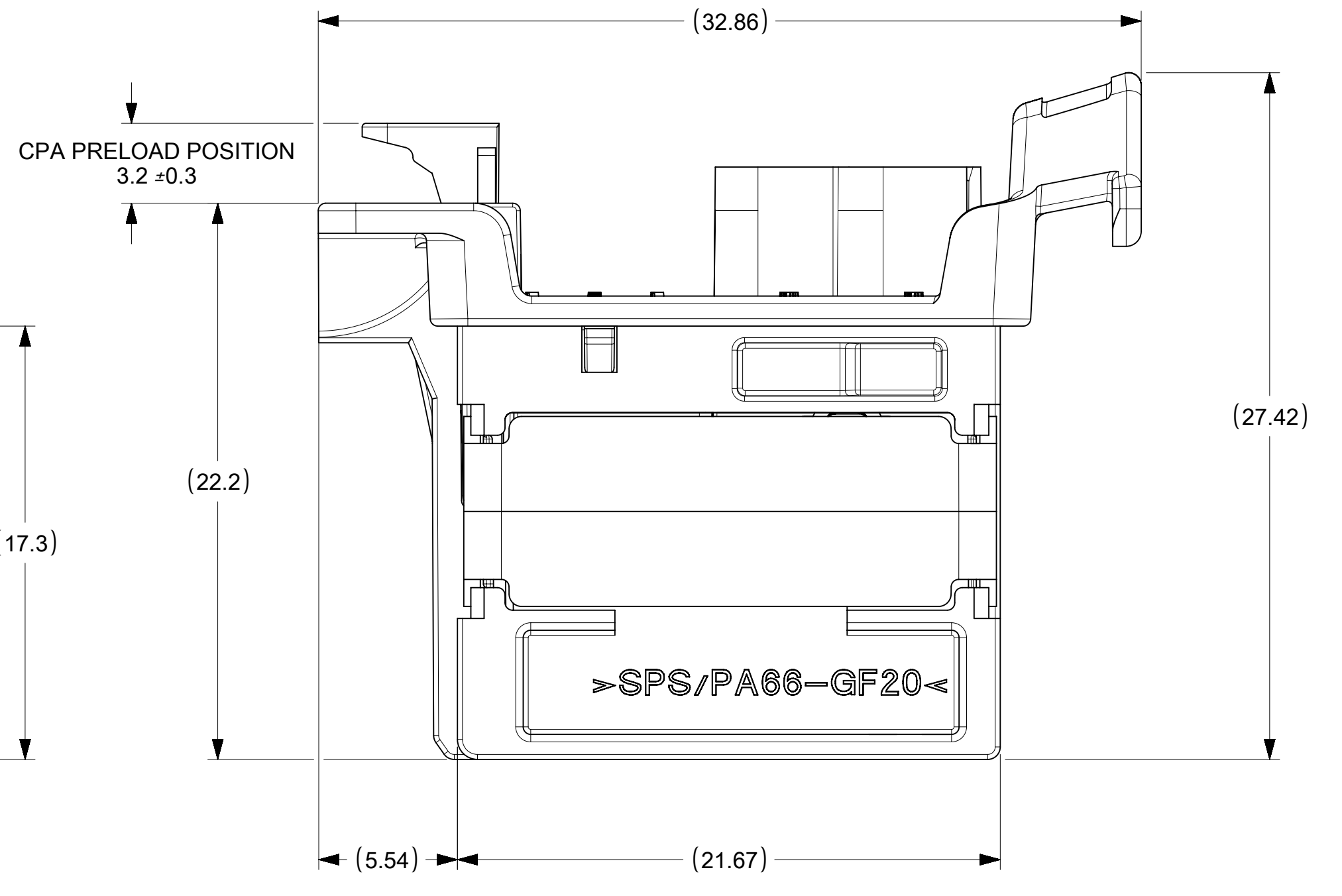
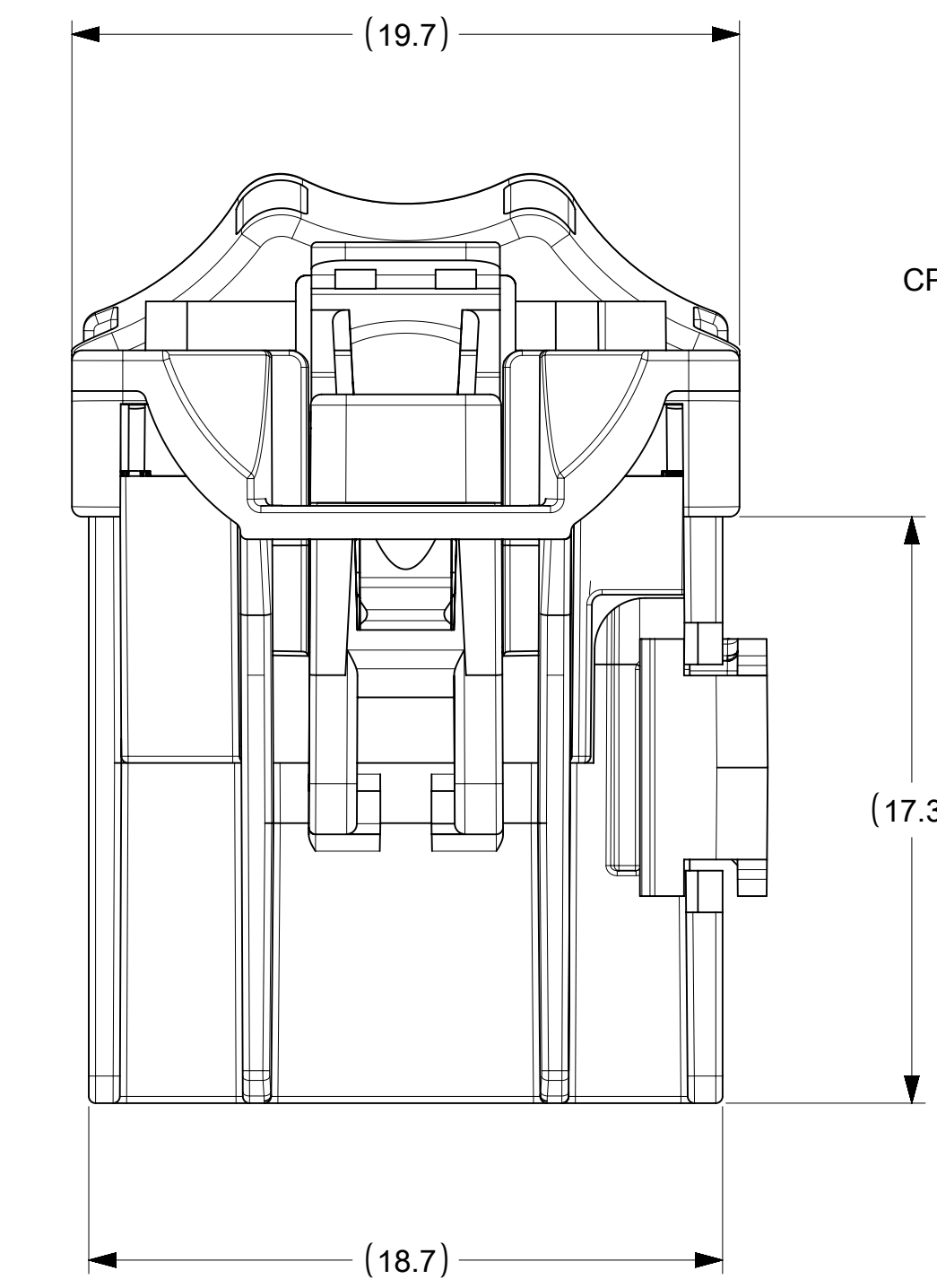
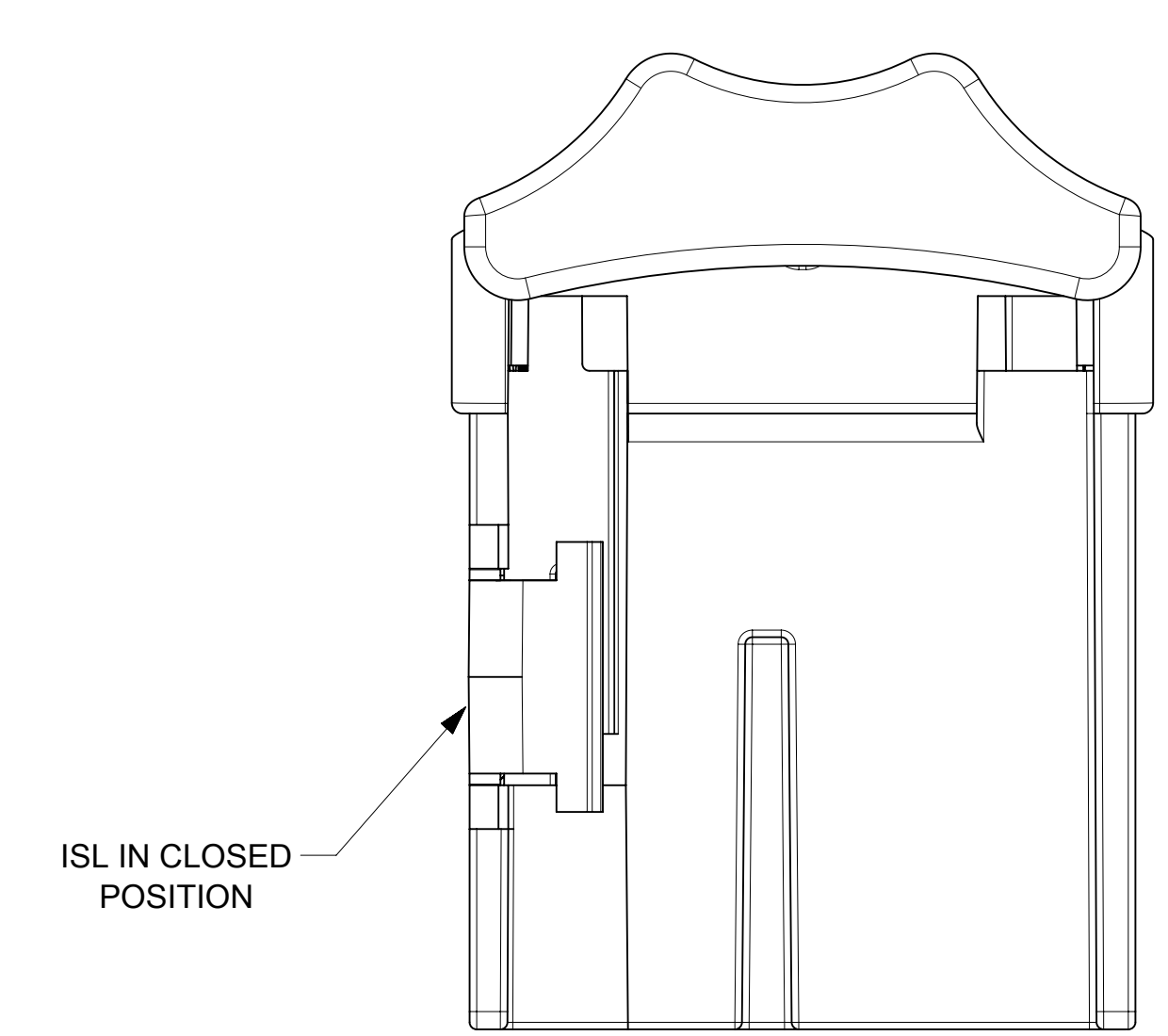
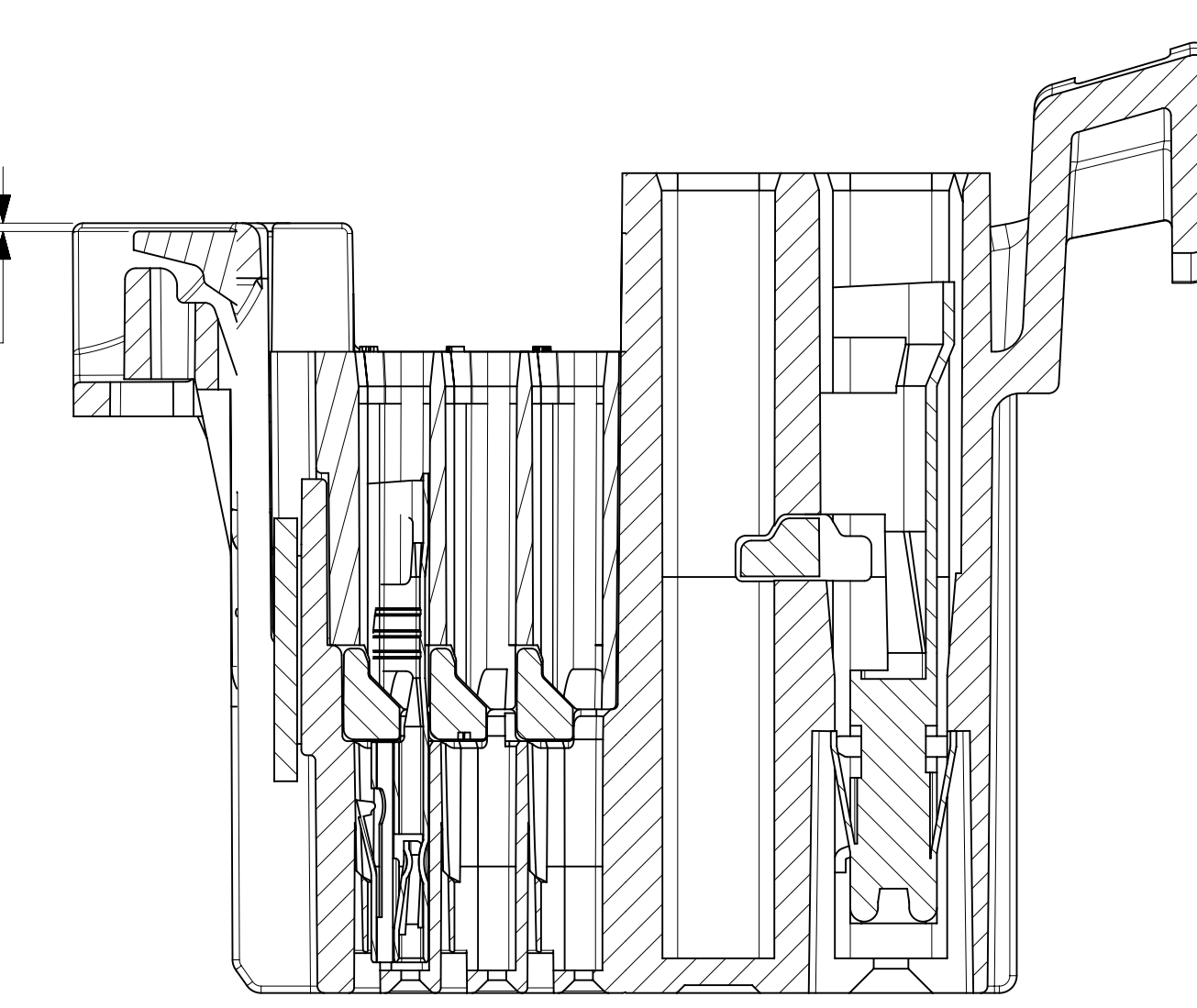
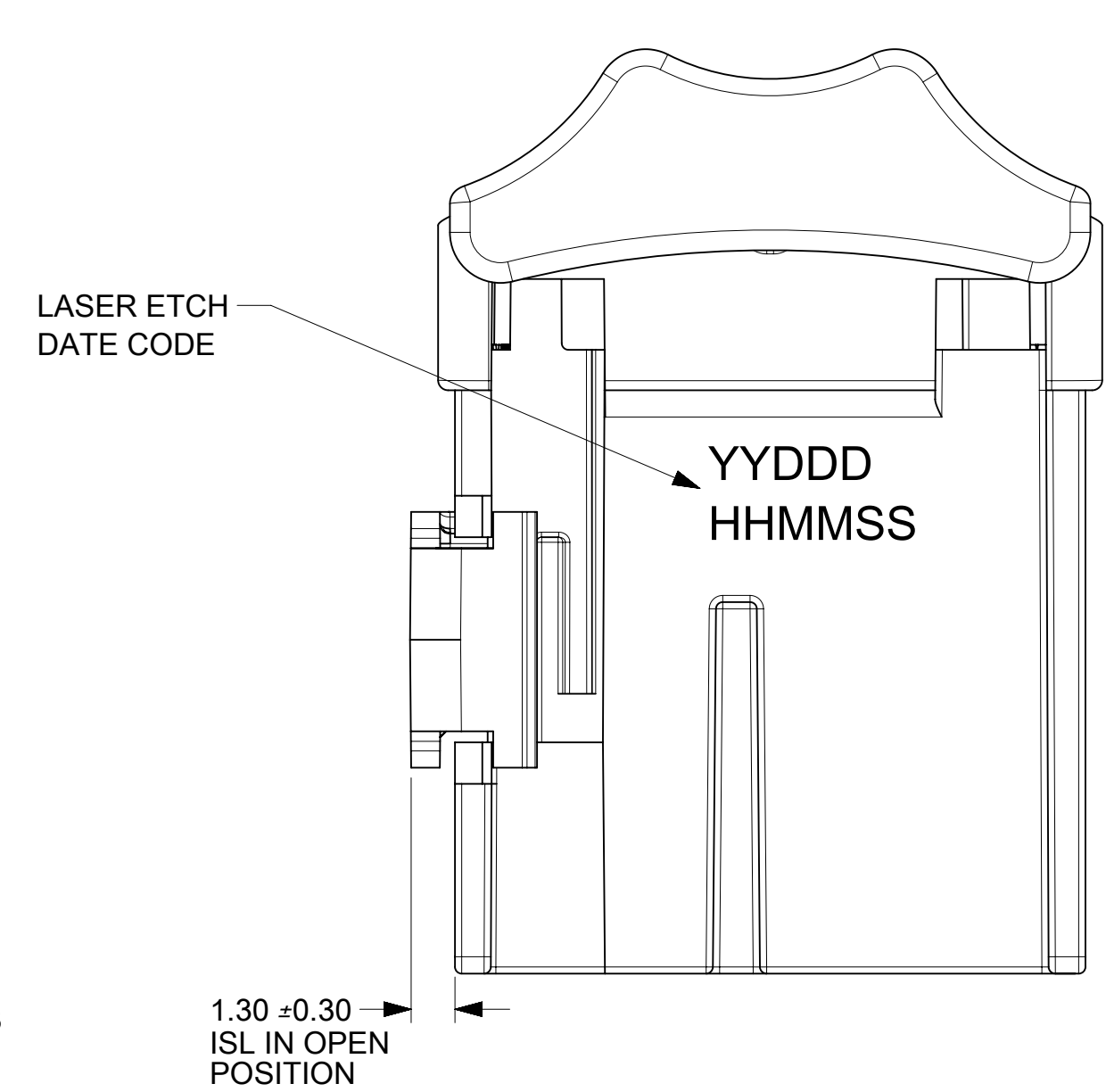
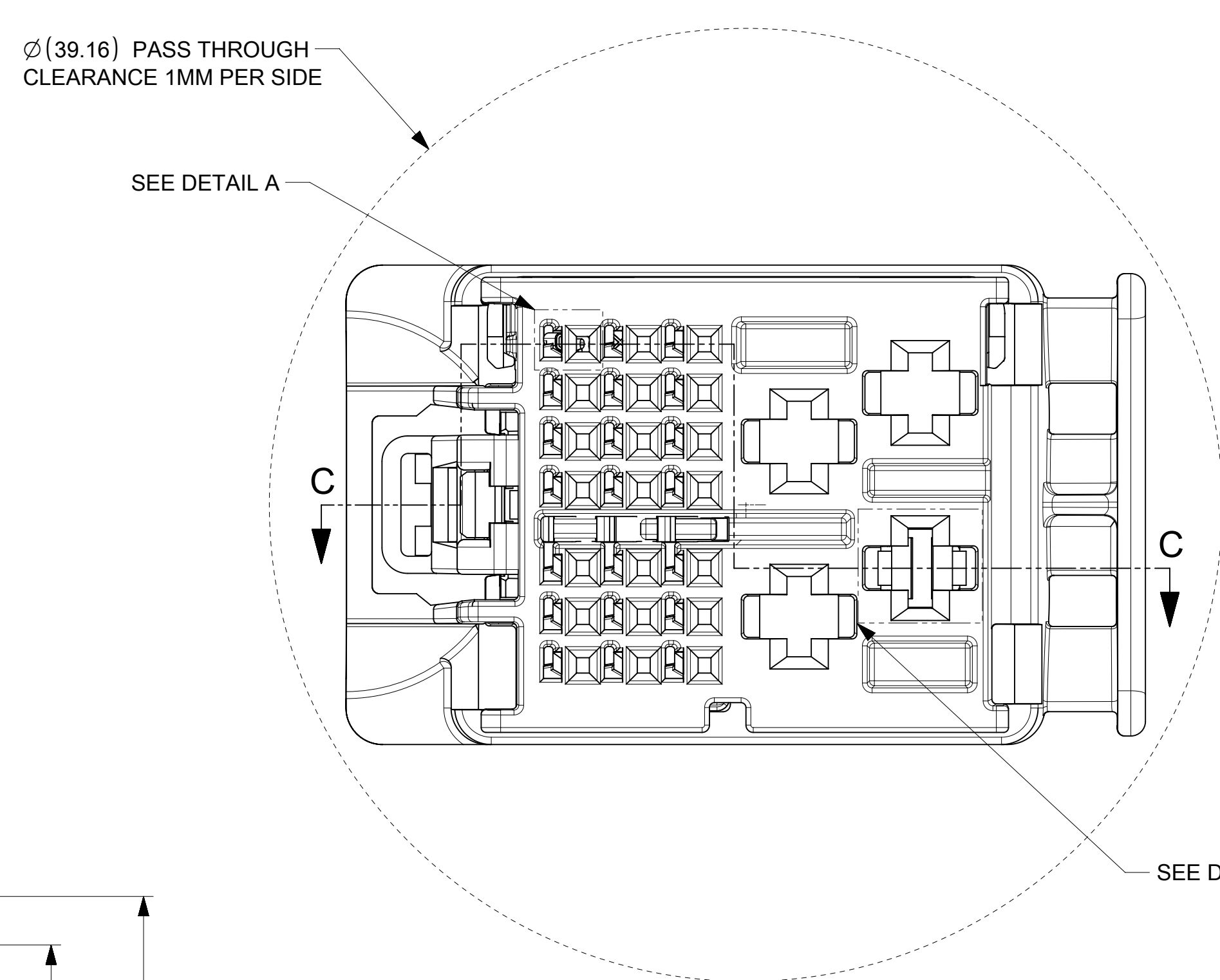
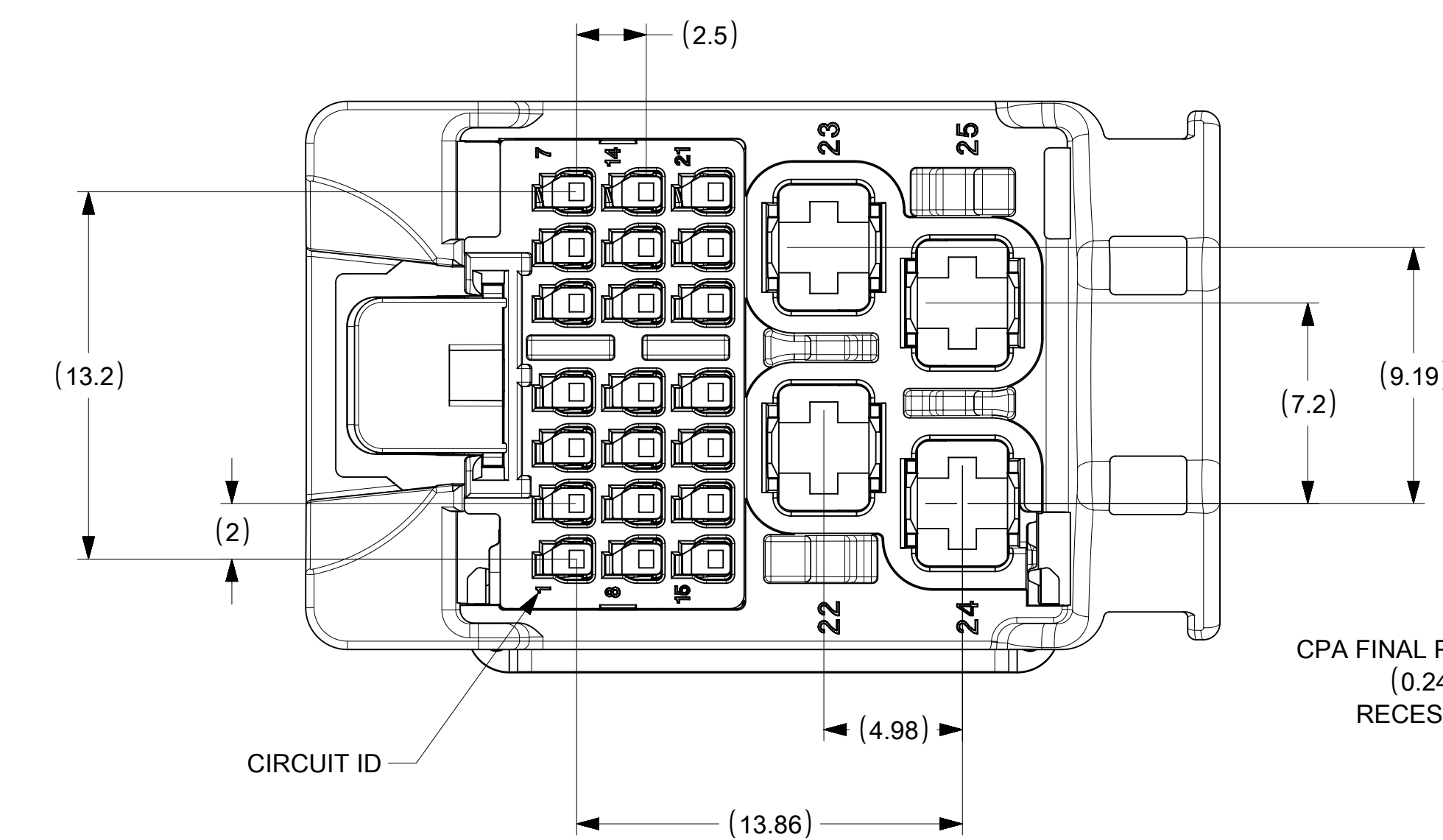
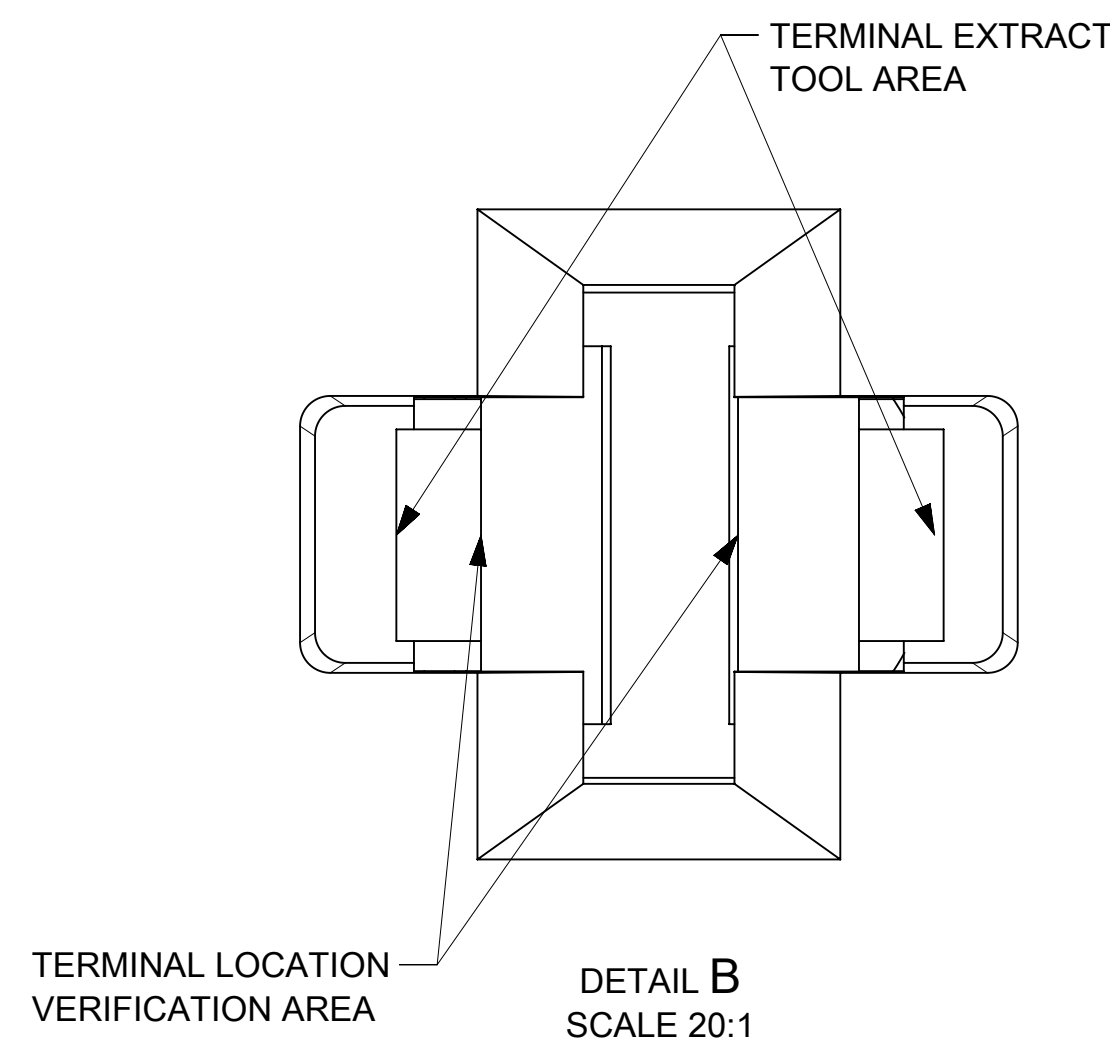
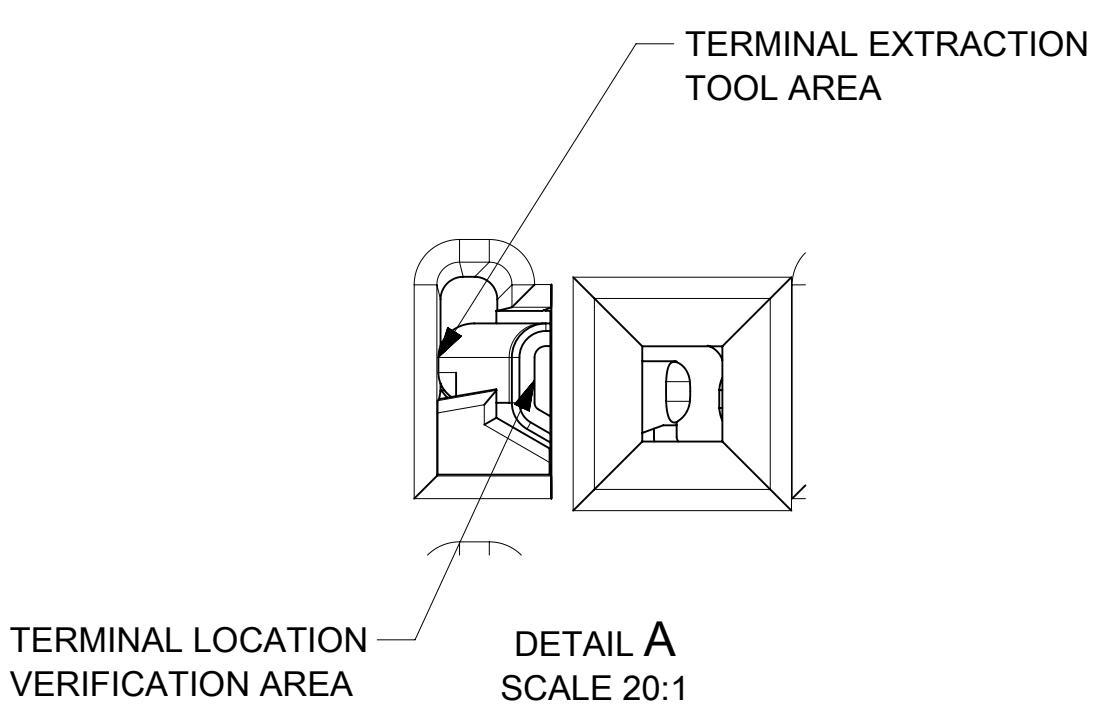
RIB OPTION A

RIB OPTION B



SCALE 2:1

SYMBOLS DIMENSION UNITS: mm SCALE: 5:1 GENERAL TOLERANCES (UNLESS SPECIFIED) ANGULAR TOL ± 3.0° 4 PLACES ± 3 PLACES ± 2 PLACES ± 0.3 1 PLACE ± 0.3 0 PLACES ± 0.3 DRAFT WHERE APPLICABLE MUST REMAIN WITHIN DIMENSIONS	THIS DRAWING CONTAINS INFORMATION THAT IS PROPRIETARY TO MOLEX ELECTRONIC TECHNOLOGIES, LLC AND SHOULD NOT BE USED WITHOUT WRITTEN PERMISSION CURRENT REV DESC: UPDATED 2.8 CAVITY VIEWS ON SHEET 2		molex 25WAY STAK50H HYBRID ASSEMBLY CONNECTOR ASSEMBLY PRODUCT CUSTOMER DRAWING	
	EC NO: 613462 DRWN: RCARLSON 2019/03/07 CHK'D: JCONDON 2019/03/08 APPR: JCONDON 2019/03/08		INITIAL REVISION: DRWN: RCARLSON 2019/02/18 APPR: JCONDON 2019/02/25	
DOCUMENT NUMBER: 1600270011 DOC TYPE: PSD DOC PART: 000 REVISION: A2		MATERIAL NUMBER: SEE CHART CUSTOMER: GENERAL MARKET SHEET NUMBER: 1 OF 2		



SYMBOLS	THIS DRAWING CONTAINS INFORMATION THAT IS PROPRIETARY TO MOLEX ELECTRONIC TECHNOLOGIES, LLC AND SHOULD NOT BE USED WITHOUT WRITTEN PERMISSION	
	DIMENSION UNITS	SCALE
▽ = 0	mm	5:1
▽ = 0	GENERAL TOLERANCES (UNLESS SPECIFIED)	
▽ = 0	ANGULAR TOL	± 3.0°
▽ = 0	4 PLACES	±
▽ = 0	3 PLACES	±
▽ = 0	2 PLACES	± 0.3
▽ = 0	1 PLACE	± 0.3
▽ = 0	0 PLACES	± 0.3
■ = 0	DRAFT WHERE APPLICABLE MUST REMAIN WITHIN DIMENSIONS	
▽ = 0	THIRD ANGLE PROJECTION	
CURRENT REV DESC: UPDATED 2.8 CAVITY VIEWS ON SHEET 2		
EC NO: 613462		
DRWN: RCARLSON		2019/03/07
CHK'D: JCONDON		2019/03/08
APPR: JCONDON		2019/03/08
INITIAL REVISION:		
DRWN: RCARLSON		2019/02/18
APPR: JCONDON		2019/02/25
DRAFT WHERE APPLICABLE MUST REMAIN WITHIN DIMENSIONS		
D-DRAWING		SERIES
D-SIZE		160027
DOCUMENT NUMBER		DOC TYPE DOC PART REVISION
1600270011		PSD 000 A2
MATERIAL NUMBER		CUSTOMER
SEE SHEET 1		GENERAL MARKET
SHEET NUMBER		
		2 OF 2