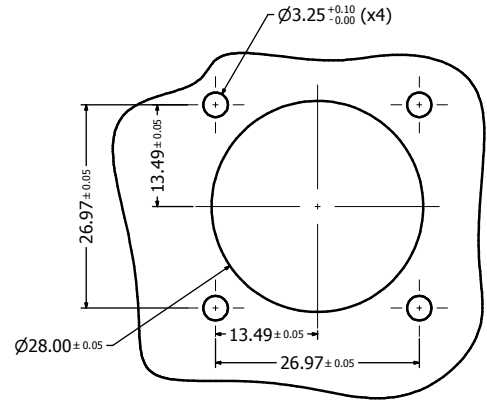
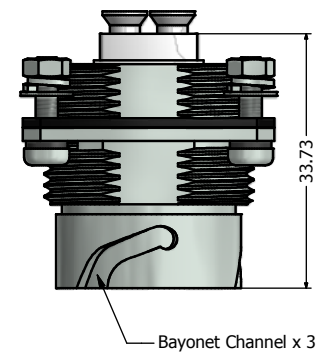


Recommended Double-D Panel Cutout



Recommended Round Panel Cutout



Bayonet Channel x 3

Notes:

1. Material and Finish:

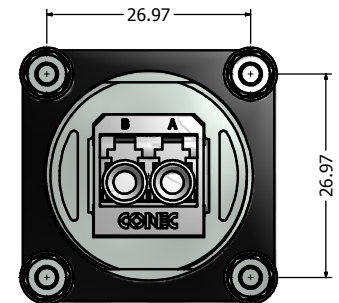
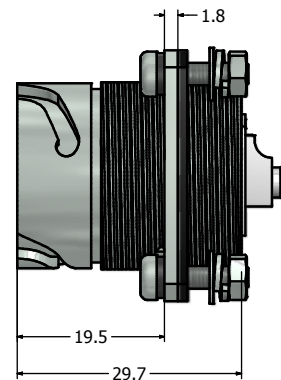
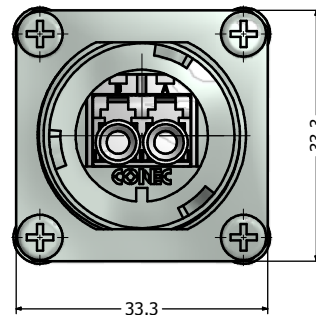
- Receptacle Housing: Die-Cast, Nickel Plated
- Panel Gasket: NBR, Color: Black
- M3 Mounting Hardware: Stainless Steel includes 4 x (screw + nut + flat washer + spring lock washer)
- Duplex LC Adaptor Assembly:
- Housing: Mod. PPO , UL94 V-0, Color: **SM Blue/MM Beige/APC SM Green**
- Alignment Sleeves: SM Ceramic/MM Phosphor Bronze
- Dust Cap: PP, Color: Neutral transparent
- Operating Temperature: -40° C to +85° C

2. Connector can be front or rear mounted to a maximum panel thickness of 3.2mm.

3. IP67 rated when covered or fully mated with the appropriate mating connector

4. Hardware shipped unassembled

5. Recommended M3 screw mounting torque: 8 to 10 lb-inch



Directive 2002/95/EC RoHS Compliant

Description	Part Number
Single Mode (SM)	17-300670
Multi Mode (MM)	17-300680
APC Single Mode (APC SM)	17-300690

THIS DRAWING MAY NOT BE COPIED OR REPRODUCED IN ANY MANNER AND MAY NOT BE PASSED ON TO A THIRD PARTY WITHOUT WRITTEN PERMISSION. OWNERSHIP AND COPYRIGHT OF CONEC CORPORATION.	Customer:			Tolerance Unless otherwise specified 0 PLC ±0.50 1 PLC ±0.38 2 PLC ±0.25 3 PLC ±0.10 ANGLES ±.3		Scale:	Dim. in mm	
	Name	Title	Approval Date			Material: See Notes		
						Title: IP67 Industrial Duplex LC Receptacle (with Flange) Assembly Kit Nickel Plated Zinc Die-Cast Version		
						Drawing No.: 17K1A326		
	d	1 x d	Sept/25/2013	Vincent Ke	Norm		Drawing No.: 17K1A326 Part No.: SEE PART NUMBER TABLE	DIN A3 Sheet 1/1
	c	1 x c	Mar/08/2013	Vincent Ke	D-old			
	b	1 x b	Apr/23/2012	Vincent Ke				
	a	original						
	Rev.	Changes	Date	Name				