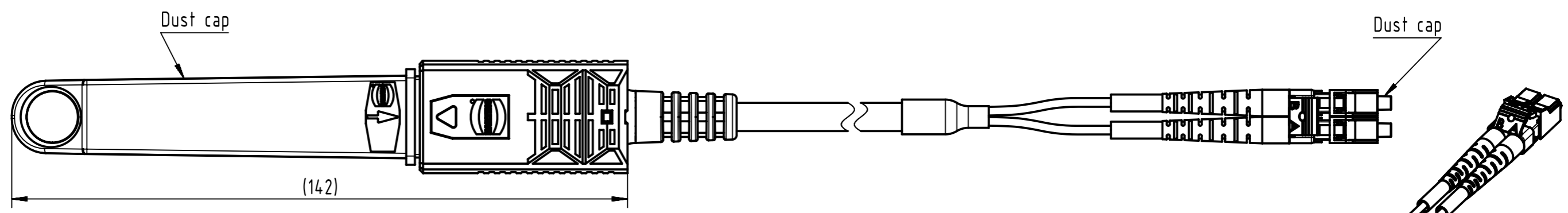
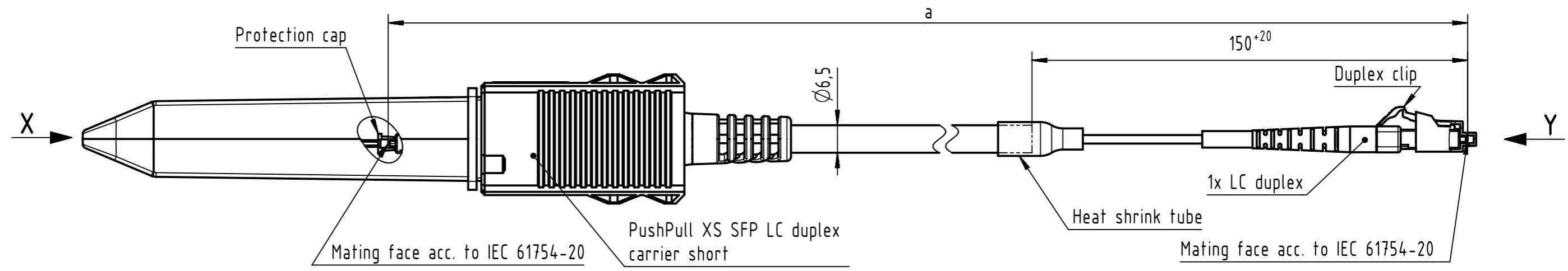


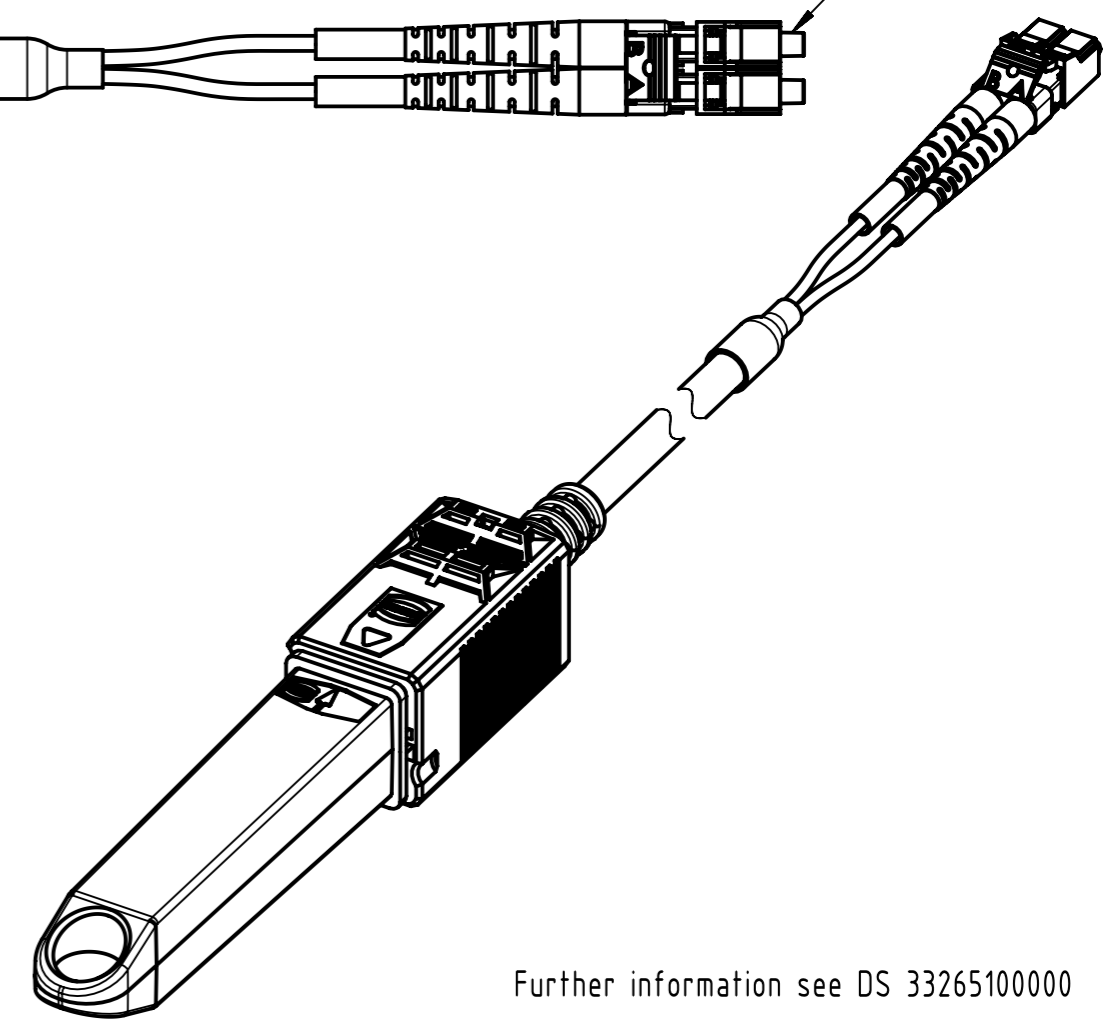
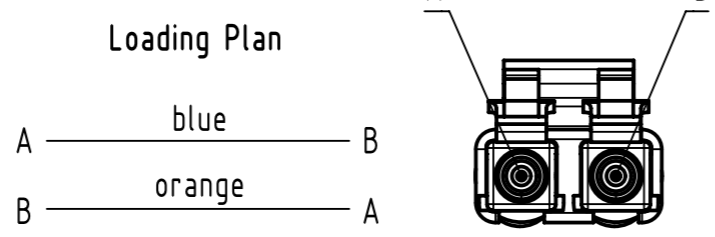
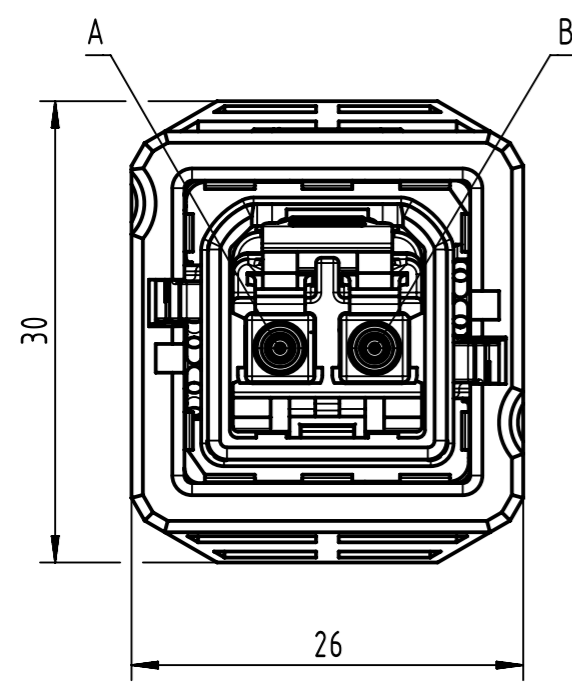
Connector Location A

Connector Location B




X male  
(without dust cap and protection cap)

Y male  
(without dust cap)



Further information see DS 33265100000

	All rights reserved	Created by 402676 Gross	Inspected by 402676 Gross	Standardisation COSTEA Costea	Date 2022-08-31	State Final Release
	Department HCS - RO	Title PP XS LCdx Sh - LCdx, MM Assy		Doc-Key / ECM-Nr. 100572207/UGD/043/F 500000219506		
HARTING Customised Solutions D-32339 Espelkamp		Type TB	Number 332623XXXX0018		Rev. F	Page 1/2

Cont. no.	Part no.	Type of cable	Dim. a[m]						
28	33262311000018	FO Breakout Cable, MM, 50/125µm, PUR, black, bend tolerant OM3	100	±1%	 All rights reserved Department HCS - RO HARTING Customised Solutions D-32339 Espelkamp	Created by 402676 Gross Inspected by 402676 Gross Standardisation COSTEA Costea Date 2022-08-31 State Final Release Title PP XS LCdx Sh - LCdx, MM Assy Type TB Number 332623XXXX0018 Doc-Key / ECM-Nr. 100572207/UGD/043/F 500000219506 Rev. F Page 2/2	Free size tol. According to production drawing	All Dimensions in mm	Tech. Character.
27	33262310900018		90						
26	33262310800018		80						
25	33262310700018		70						
24	33262310600018		60						
23	33262310500018		50						
22	33262310450018		45						
21	33262310400018		40						
20	33262310350018		35						
19	33262310300018		30						
18	33262310250018		25						
17	33262310200018		20						
16	33262310150018		15						
15	33262310140018		14						
14	33262310130018		13						
13	33262310120018		12						
12	33262310110018		11						
11	33262310100018		10						
10	33262310090018		9						
9	33262310080018		8						
8	33262310070018		7						
7	33262310060018		6						
6	33262310050018		5						
5	33262310040018		4						
4	33262310030018		3						
3	33262310020018		2						
2	33262310010018		1						
1	33262330500018		0.5	±0.03					