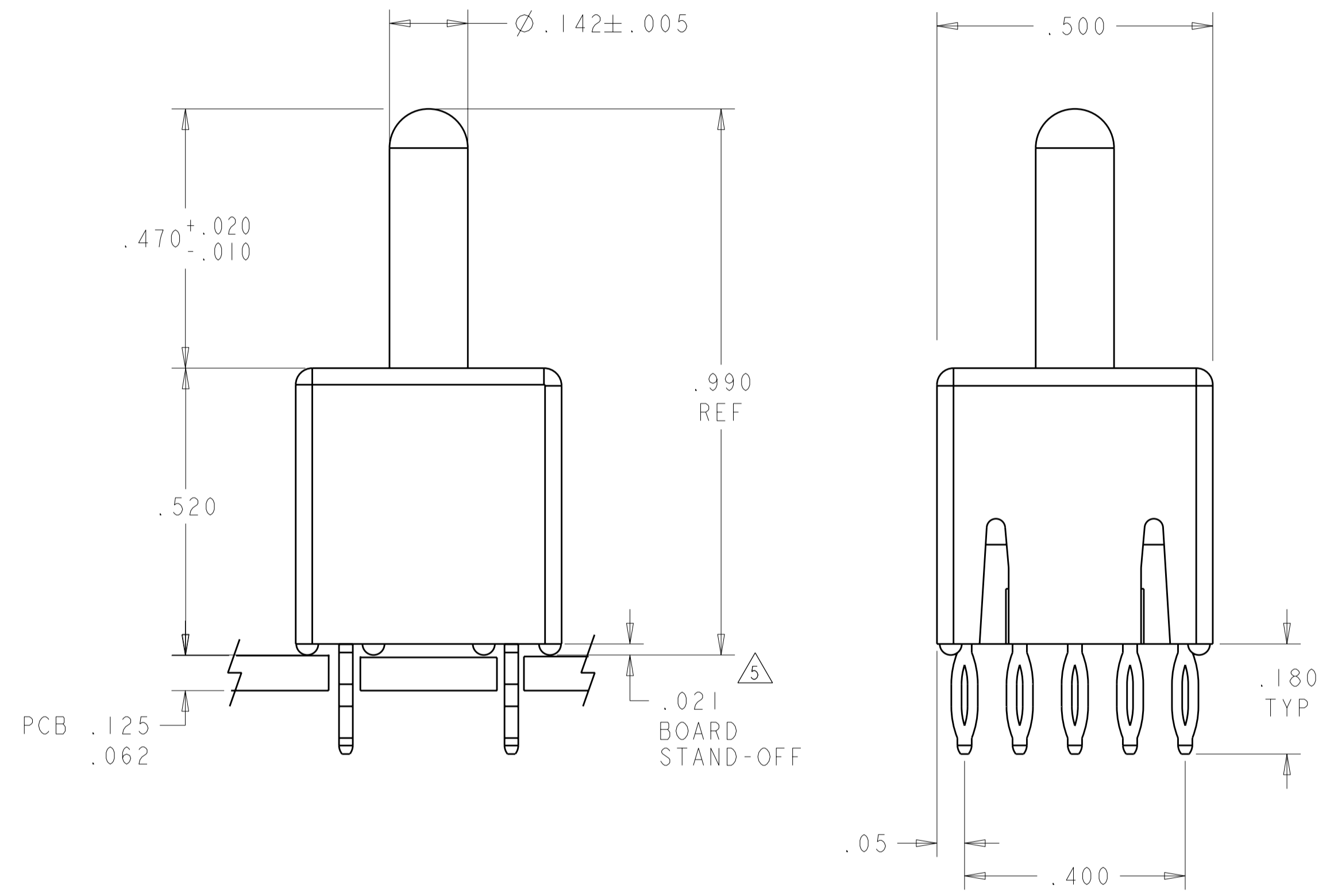
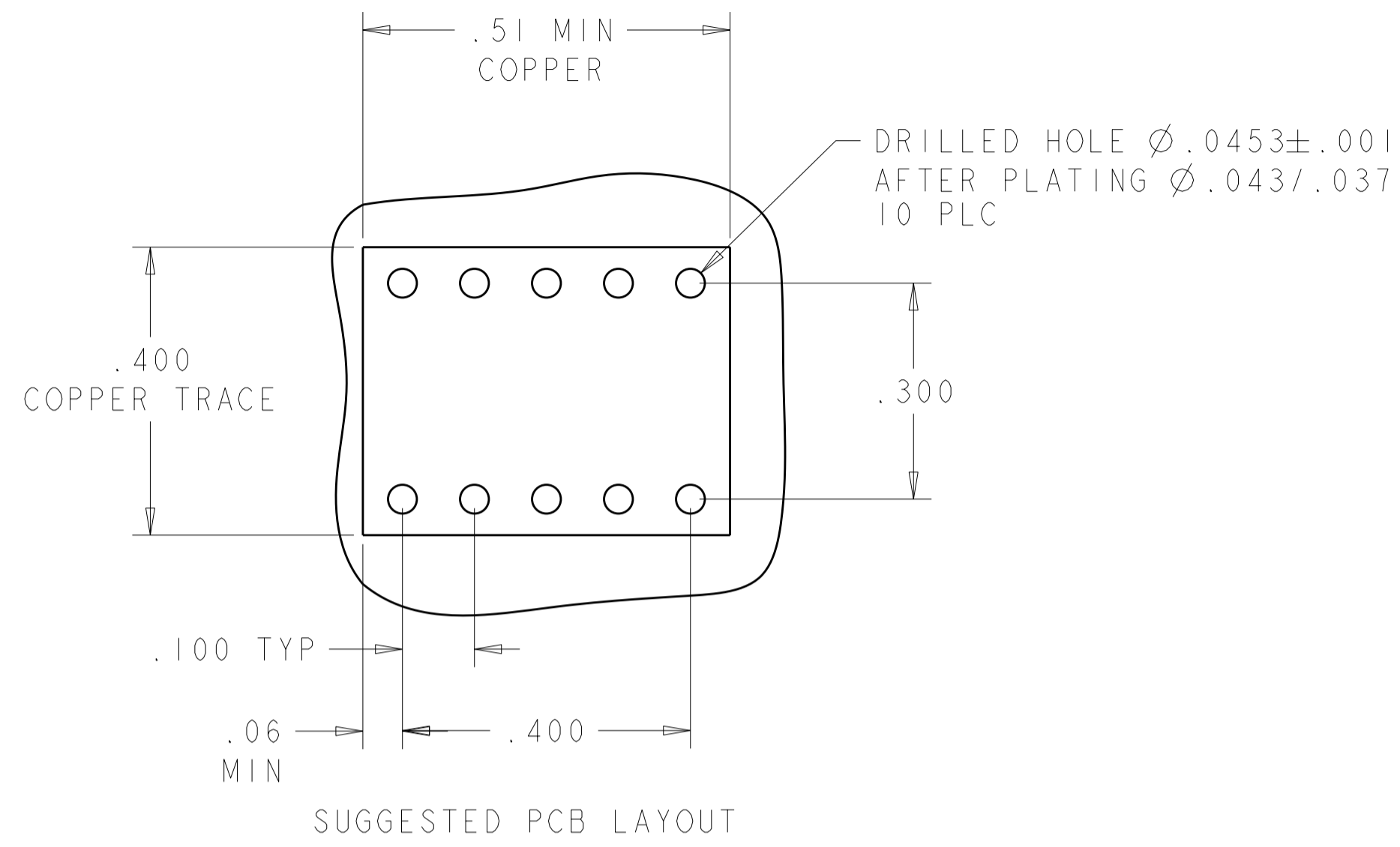


THIS DRAWING IS UNPUBLISHED. RELEASED FOR PUBLICATION 20
 © COPYRIGHT 20 BY TYCO ELECTRONICS CORPORATION. ALL RIGHTS RESERVED.

LOC	DIST	REVISIONS					
GP	00	P	LTR	DESCRIPTION	DATE	DWN	APVD
		A		RELEASED	07MAR2006	RG	SF
		B		REV PER ECO-10-020184	11JAN2011	RG	NE
		C		REV PER ECO-11-007678	11MAY2011	RG	DO



- PART NUMBER CHANGES AND/OR DESIGN CHANGES AFFECTING ITEM INTERCHANGEABILITY REQUIRE PRIOR TE APPROVAL AND AUTHORIZATION BY REVISION TO THIS DRAWING.
- ITEMS PROVIDED TO THIS SPECIFICATION TO BE IDENTIFIED ON CONTAINER WITH THE FOLLOWING INFORMATION: PART NUMBER AND DATE CODE OF MFR.

3 MATERIALS:
 INSULATOR-POLYESTER, GLASS FILLED UL 94 V-O RATED
 MODULE-ZINC ALLOY
 COMPLIANT PIN-PHOSPHOR BRONZE
 CONTACT-BRASS ALLOY
 CROWN-Be Cu

4 FINISH:
 INSULATOR-COLOR BLACK
 MODULE: .0002 [5.08 MICRONS] MIN THK. SILVER
 OVER .00004 [1.02 MICRONS] MIN. THK. NICKEL
 COMPLIANT PINS- .0002 [5.08 MICRONS] MIN THK. SILVER
 OVER .00004 [1.02 MICRONS] MIN. THK. NICKEL
 CROWN- .000040 [1.02 MICRONS] MIN THKGOLD (IN CONTACT AREA)
 OVER .00004 [1.02 MICRONS] MIN. THK. NICKEL
 CONTACT PIN: .0002 [5.08 MICRONS] MIN THK. SILVER
 OVER .00004 [1.02 MICRONS] MIN. THK. NICKEL

5 A FIVE - POUND (5lb) FORCE IS REQUIRED TO CORRECTLY SEAT THE CONNECTOR WITH PLATED THRU HOLES LESS THAN Ø.040 INCH



THIS DRAWING IS A CONTROLLED DOCUMENT FOR TYCO ELECTRONICS CORPORATION IT IS SUBJECT TO CHANGE AND THE CONTROLLING ENGINEERING ORGANIZATION SHOULD BE CONTACTED FOR THE LATEST REVISION.		DWN R. GRZYBOWSKI 06MAR06	AS SHOWN		6643274-1
DIMENSIONS: INCHES		CHK S. FLICKINGER 06MAR06	DESCRIPTION		PART NUMBER
TOLERANCES UNLESS OTHERWISE SPECIFIED: 0 PLC ± 1 PLC ± 2 PLC ±.020 3 PLC ±.010 4 PLC ± ANGLES ±.5 FINISH		APVD S. FLICKINGER 06MAR06	NAME		ICCON PIN, PERPENDICULAR COMPLIANT, NON-LOCKING STYLE (BLACK)
MATERIAL		PRODUCT SPEC	SIZE		CAGE CODE
		APPLICATION SPEC	A200779		6643274
		WEIGHT	DRAWING NO		RESTRICTED TO
		CUSTOMER DRAWING	SCALE 5:1		SHEET 1 OF 1 REV C