



SERIES: PTN15 | DESCRIPTION: ROTARY POTENTIOMETER

FEATURES

- 15mm
- carbon element
- dust proof enclosure
- multiple rotor options
- linear, logarithmic, and reverse logarithmic tapers



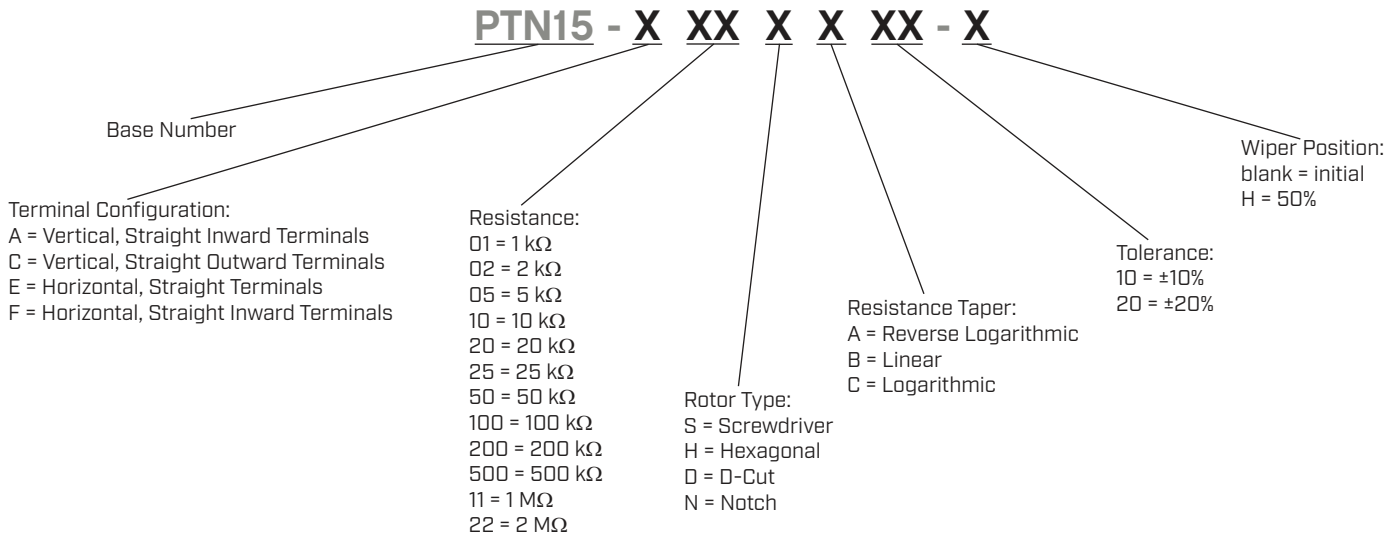
SPECIFICATIONS

| parameter | conditions/description | min | typ | max | units |
|-------------------------------|--|-----|-----|-------|-------|
| maximum operating voltage | | | | 300 | Vdc |
| power rating | at 70°C | | | 0.2 | W |
| taper | linear, logarithmic, and reverse logarithmic | | | | |
| standard resistance range | see Resistance Table | 1.0 | | 2,000 | kΩ |
| standard resistance tolerance | ±10% or ±20%, see Part Number Key | | | | |
| residual resistance | | | | 10 | Ω |
| sliding noise | | | | 68 | mV |
| operating temperature | | -10 | | 70 | °C |
| hand soldering | for 3 seconds max | | | 350 | °C |
| wave soldering | for 5±1 seconds | 255 | 260 | 265 | °C |
| RoHS | yes | | | | |

MECHANICAL

| parameter | conditions/description | min | typ | max | units |
|-------------------|------------------------|-------|------|--------|--------|
| mechanical angle | | 255 | 265 | 275 | ° |
| rotational torque | | 10 | | 80 | gf-cm |
| stop strength | | 1,000 | | | gf-cm |
| rotational life | | | | 10,000 | cycles |
| weight | | 1.29 | 1.32 | 1.35 | g |

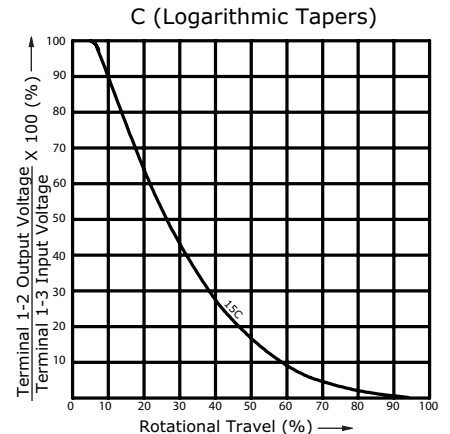
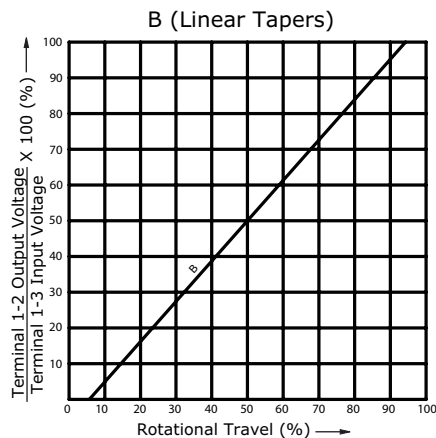
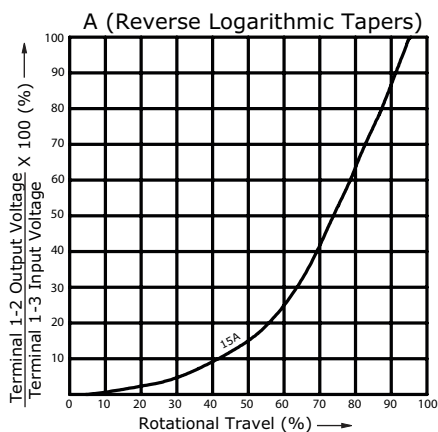
PART NUMBER KEY



SCHEMATIC/TAPERS

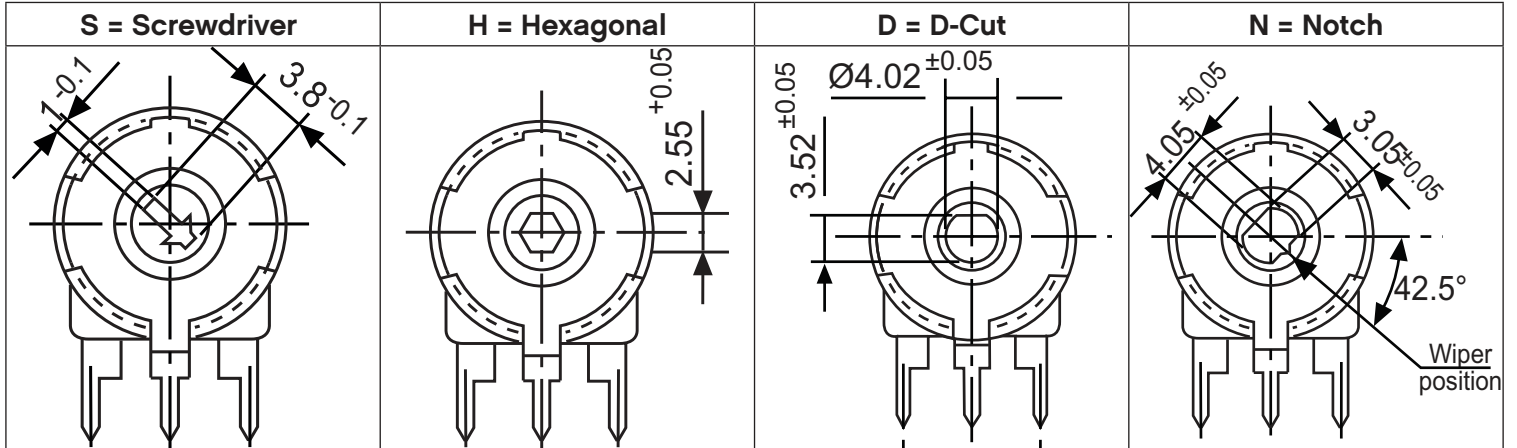


| Resistance Table | |
|------------------|------|
| Resistance [KΩ] | Code |
| 1 | 01 |
| 2 | 02 |
| 5 | 05 |
| 10 | 10 |
| 20 | 20 |
| 25 | 25 |
| 50 | 50 |
| 100 | 100 |
| 200 | 200 |
| 500 | 500 |
| 1,000 | 11 |
| 2,000 | 22 |



ROTOR TYPE

units: mm
tolerance: ± 0.3 mm
unless otherwise noted

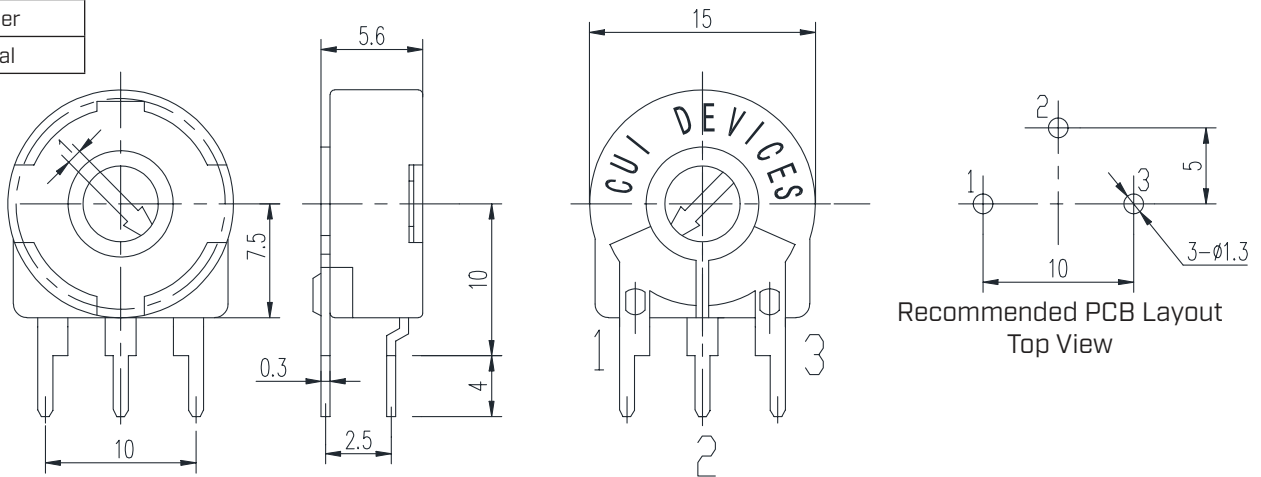


MECHANICAL DRAWING (VERTICAL, STRAIGHT INWARD TERMINALS)

units: mm
tolerance:
 $X \leq 10$: ± 0.3 mm
 $10 < X \leq 30$: ± 0.5 mm
 $30 < X \leq 100$: ± 1.0 mm
unless otherwise noted

| ITEM | DESCRIPTION | MATERIAL | PLATING/COLOR |
|------|-------------|--------------|---------------|
| A | housing | PA6 (UL94HB) | black |
| B | terminals | steel | tin |
| C | reed | tin bronze | |

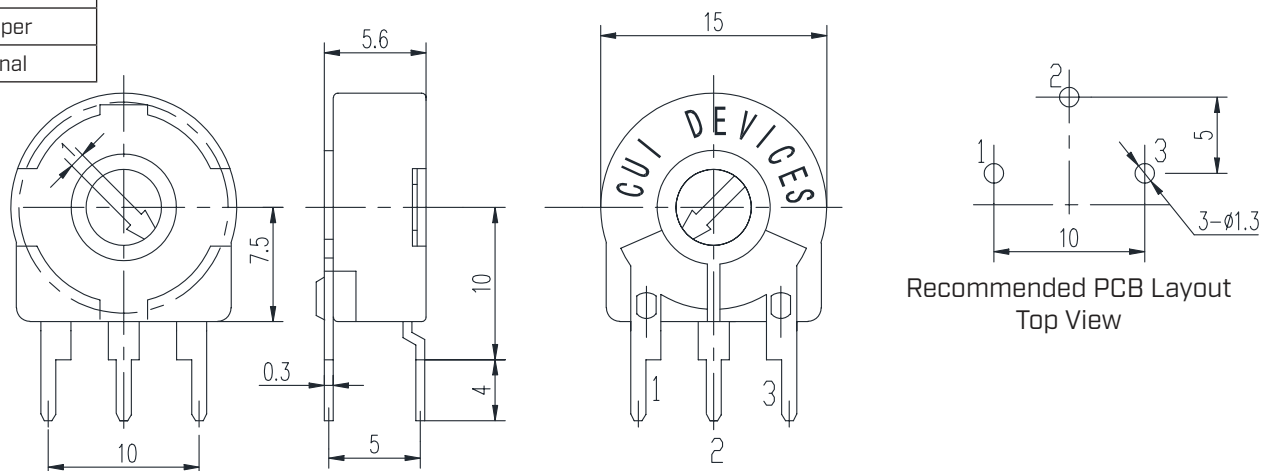
| TERMINAL CONNECTIONS | |
|----------------------|-------------|
| TERMINAL | DESCRIPTION |
| 1 | Initial |
| 2 | Wiper |
| 3 | Final |



MECHANICAL DRAWING (VERTICAL, STRAIGHT OUTWARD TERMINALS)

units: mm
 tolerance:
 $X \leq 10$: ± 0.3 mm
 $10 < X \leq 30$: ± 0.5 mm
 $30 < X \leq 100$: ± 1.0 mm
 unless otherwise noted

| TERMINAL CONNECTIONS | |
|----------------------|-------------|
| TERMINAL | DESCRIPTION |
| 1 | Initial |
| 2 | Wiper |
| 3 | Final |

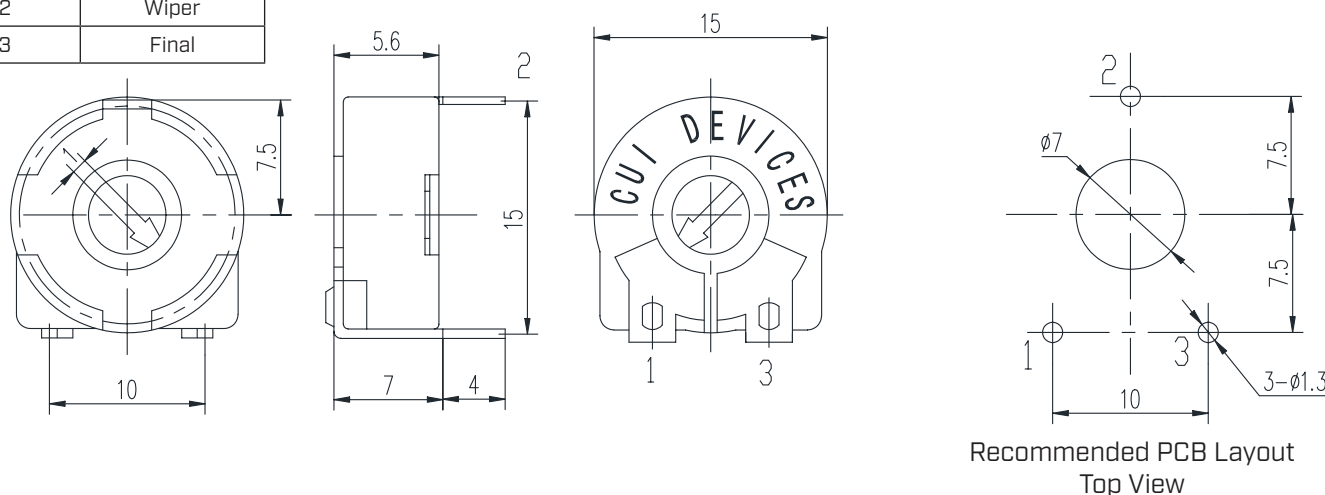


| ITEM | DESCRIPTION | MATERIAL | PLATING/COLOR |
|------|-------------|--------------|---------------|
| A | housing | PA6 (UL94HB) | black |
| B | terminals | steel | tin |
| C | reed | tin bronze | |

MECHANICAL DRAWING (HORIZONTAL, STRAIGHT TERMINALS)

units: mm
 tolerance:
 $X \leq 10$: ± 0.3 mm
 $10 < X \leq 30$: ± 0.5 mm
 $30 < X \leq 100$: ± 1.0 mm
 unless otherwise noted

| TERMINAL CONNECTIONS | |
|----------------------|-------------|
| TERMINAL | DESCRIPTION |
| 1 | Initial |
| 2 | Wiper |
| 3 | Final |



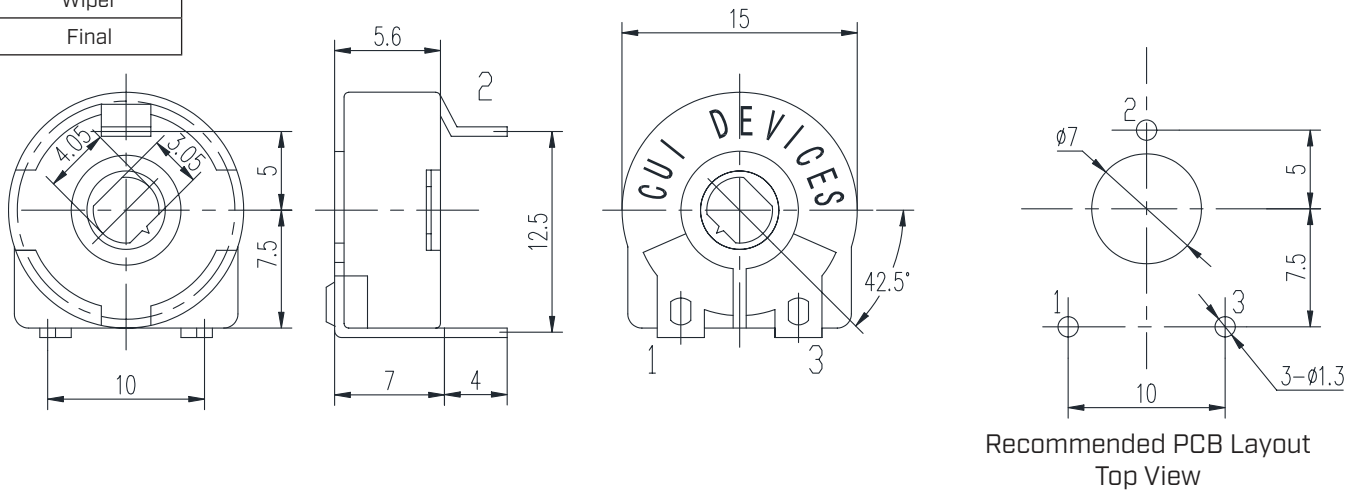
| ITEM | DESCRIPTION | MATERIAL | PLATING/COLOR |
|------|-------------|--------------|---------------|
| A | housing | PA6 (UL94HB) | black |
| B | terminals | steel | tin |
| C | reed | tin bronze | |

MECHANICAL DRAWING (HORIZONTAL, STRAIGHT INWARD TERMALS)

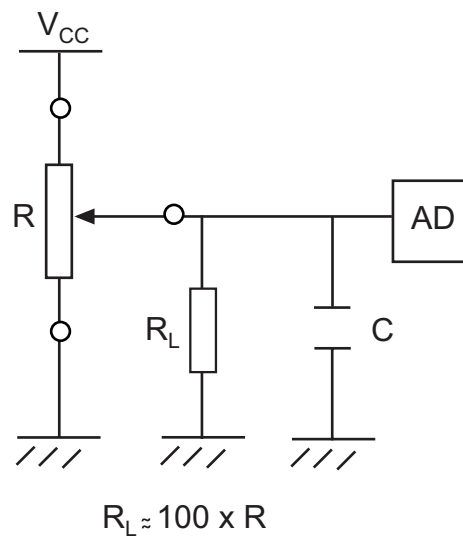
units: mm
 tolerance:
 $X \leq 10$: ± 0.3 mm
 $10 < X \leq 30$: ± 0.5 mm
 $30 < X \leq 100$: ± 1.0 mm
 unless otherwise noted

| ITEM | DESCRIPTION | MATERIAL | PLATING/COLOR |
|------|-------------|--------------|---------------|
| A | housing | PA6 (UL94HB) | black |
| B | terminals | steel | tin |
| C | reed | tin bronze | |

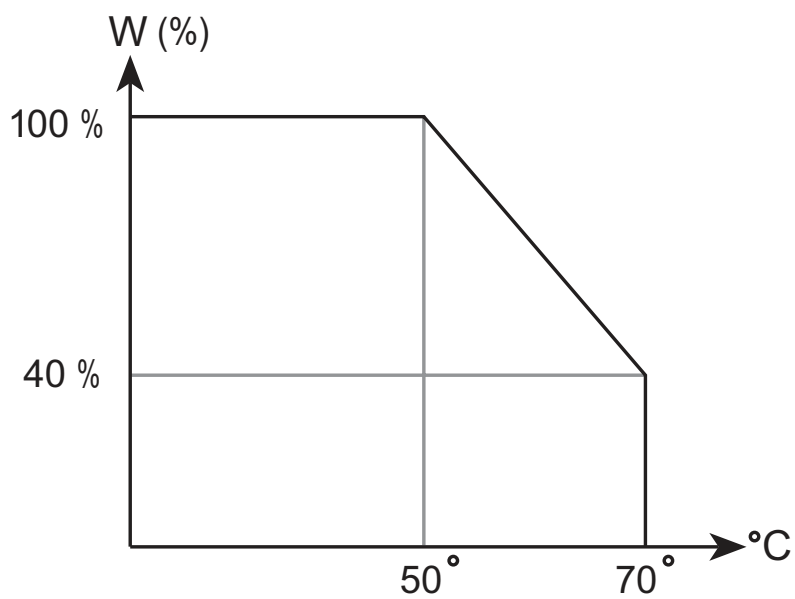
| TERMINAL CONNECTIONS | |
|----------------------|-------------|
| TERMINAL | DESCRIPTION |
| 1 | Initial |
| 2 | Wiper |
| 3 | Final |



RECOMMENDED CIRCUIT



POWER DERATING CURVE



REVISION HISTORY

| rev. | description | date |
|------|-----------------|------------|
| 1.0 | initial release | 10/27/2022 |

The revision history provided is for informational purposes only and is believed to be accurate.



CUI Devices offers a one (1) year limited warranty. Complete warranty information is listed on our website.

CUI Devices reserves the right to make changes to the product at any time without notice. Information provided by CUI Devices is believed to be accurate and reliable. However, no responsibility is assumed by CUI Devices for its use, nor for any infringements of patents or other rights of third parties which may result from its use.

CUI Devices products are not authorized or warranted for use as critical components in equipment that requires an extremely high level of reliability. A critical component is any component of a life support device or system whose failure to perform can be reasonably expected to cause the failure of the life support device or system, or to affect its safety or effectiveness.

cuidevices.com